

MHBD-F1N2C



Hardened Multifiber Optical Connector (HMFOC) cable assembly, HMFOC plug to female MPO, 24-fiber

- *Product complies with the Build America, Buy America Act (BABAA) requirements of the Infrastructure Investment and Jobs Act of 2021 (Pub. L. 117- 58, §§ 70901-70953), or is the subject of a waiver approved by the Secretary of Commerce or designee. Compliance requirements and waiver applicability vary based on government funding program. Check the laws and regulations for your specific program.

Product Classification

Regional Availability	Asia Latin America North America
Product Type	Fiber drop cable assembly
Product Series	MHBD
Government Funding	Build America Buy America (BABA) compliant*
Ordering Note	For custom cable assembly lengths, please contact your local CommScope representative

General Specifications

Cable Type	Dielectric - Flat
Connector A, quantity	2
Color, boot A	Black
Color, connector A	Black
Connector B, quantity	2
Color, boot B	Black
Color, connector B	Green
Interface, Connector A	Hardened multi-fiber (HMFOC) plug
Interface Feature, connector A	Female
Interface, Connector B	MPO
Interface Feature, connector B	Female Unpinned
Jacket Color	Black
Total Fibers, quantity	24

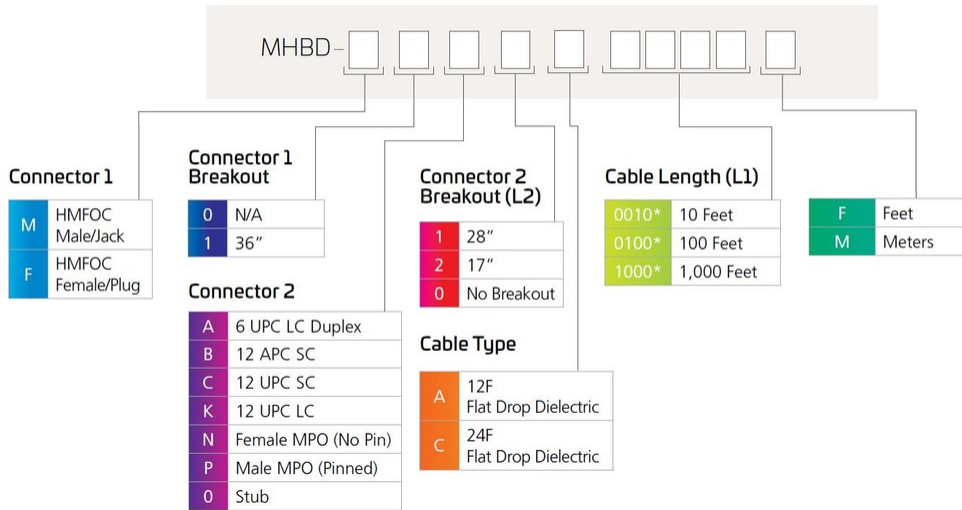
Dimensions

Breakout Length, connector A	914.4 mm 36 in
-------------------------------------	------------------

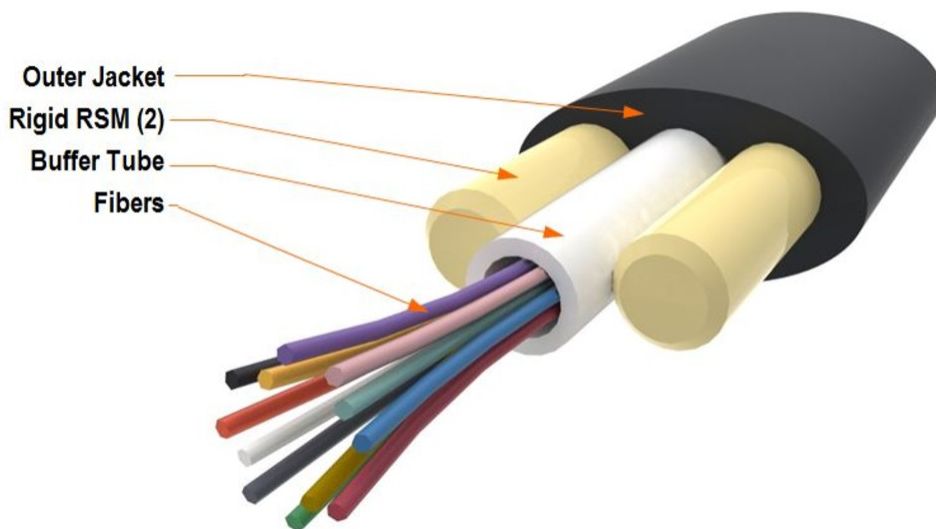
MHBD-F1N2C

Breakout Length, connector B	431.8 mm 17 in
Cable Assembly Length Range (m)	1 – 900
Cable Assembly Length Range (ft)	10 – 1000
Cable Outer Diameter	4.5 x 8.0 mm (0.18 x 0.31 in)

Ordering Tree



Representative Image



MHBD-F1N2C

Mechanical Specifications

Minimum Bend Radius, loaded 88.9 mm | 3.5 in

Minimum Bend Radius, unloaded 63.5 mm | 2.5 in

Optical Specifications

Fiber Mode Singlemode

Fiber Type G.657.A2, TeraSPEED®

Insertion Loss, maximum, connector A 0.45 dB

Insertion Loss, maximum, connector B 0.4 dB

Return Loss, minimum, connector A 65 dB

Return Loss, minimum, connector B 65 dB

Environmental Specifications

Installation temperature -30 °C to +70 °C (-22 °F to +158 °F)

Operating Temperature -40 °C to +70 °C (-40 °F to +158 °F)

Storage Temperature -40 °C to +75 °C (-40 °F to +167 °F)

Environmental Space Outdoor, buried

Jacket UV Resistance UV stabilized

Packaging and Weights

Packaging quantity 1