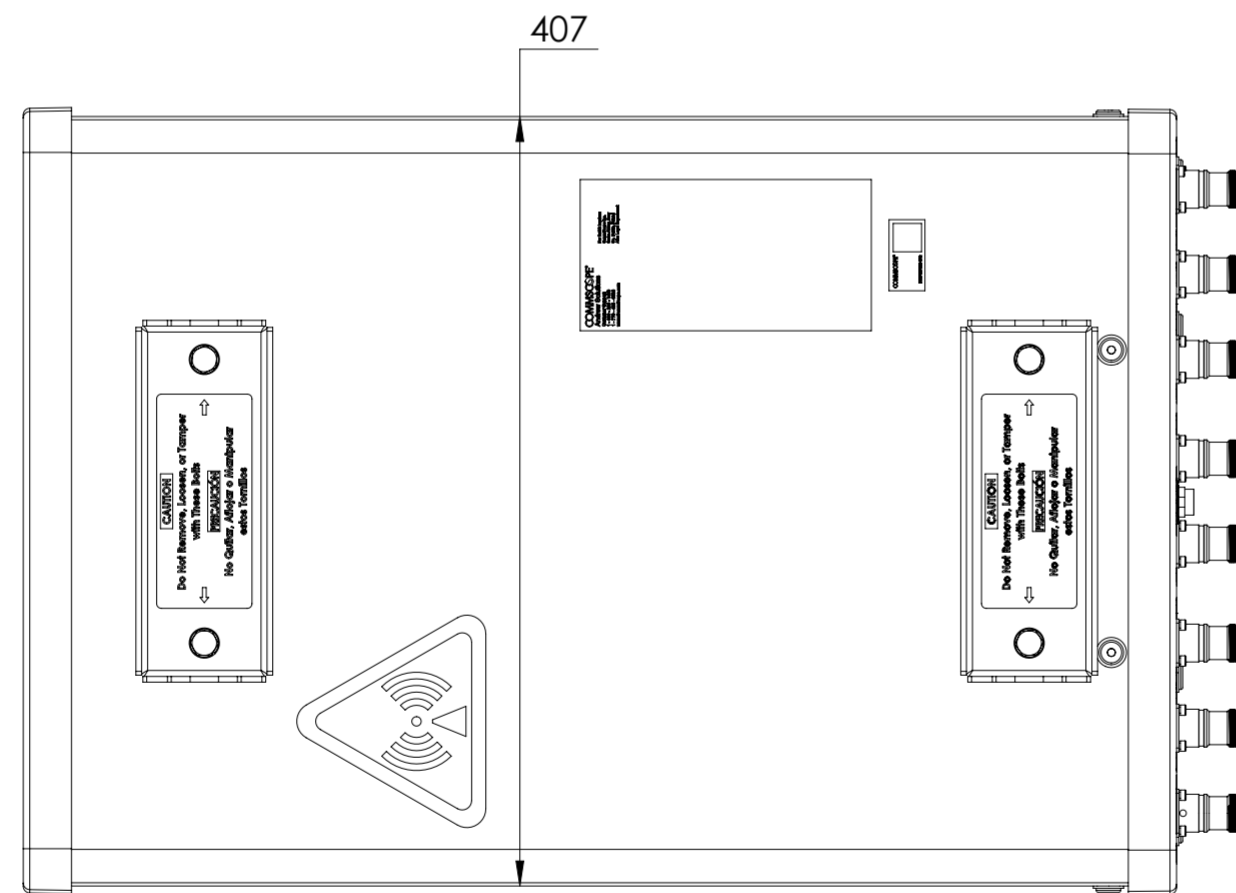
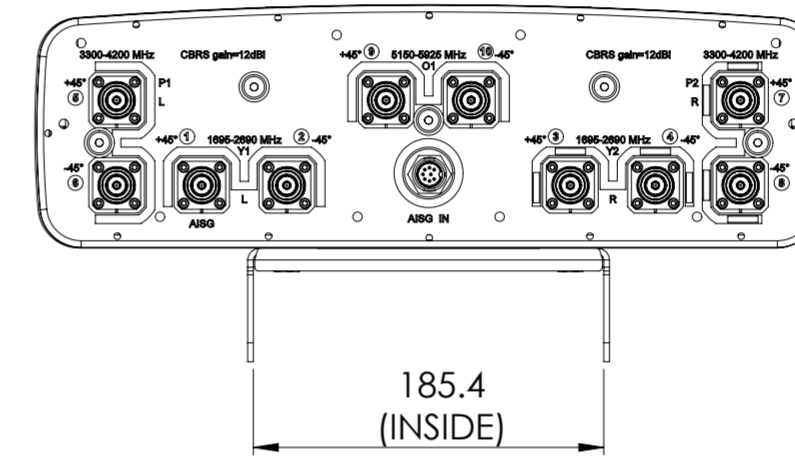
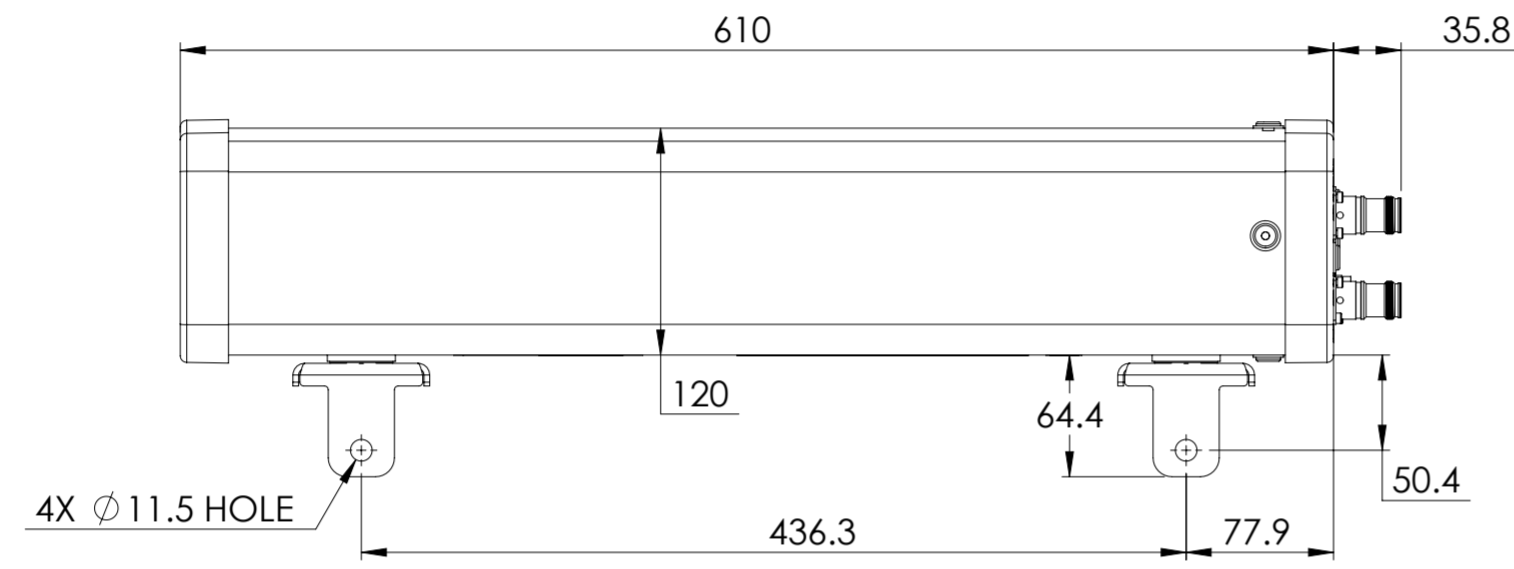


REVISIONS			
REV.	DESCRIPTION	DATE	APPROVED
A	ECR 8000038460: REL TO PRODUCTION PER EAO 607203.	03JUN20 ZW	CHF/YWQ
B	ECR 8000042071: UPDATE DRAWING WITH LATEST MODEL.	30JUL20 CN	CHF/YWQ



VVSSP-45S-R1BV2

COMMSCOPE, INC. OF NORTH CAROLINA										
TOLERANCES					SAP MATERIAL MASTER					
0 PLACE		X ±		2 PLACE		.XX ±				
1 PLACE		.X ±		ANGLES		±				
FINISH					MATERIAL					
PRODUCT DRAWING										
UNLESS OTHERWISE SPECIFIED DIMENSIONS ARE IN MILLIMETERS INTERPRET PER ISO STANDARDS HANDBOOK TECHNICAL DRAWINGS VOLUMES 1 & 2, THIRD EDITION (2002)	NAME	DATE	TITLE							
	CE	WZ1012	06/03/2020	SCALE 1:4 DOCUMENT NO. VVSSP-45S-R1BV2-L						
	RW	NC1020	08/04/2020							
	RV	HC1060	08/04/2020							
	AD	WY8000	08/04/2020							
RE	ZHHCHEN	08/05/2020								
ECN 8000042071-O										
DENSITY	g/mm ³									
MASS	grams									
VOLUME	mm ³									
SURFACE AREA	mm ²									
HEIGHT		SIZE	WORK AREA	23	MODEL		DRAWING			
LENGTH		A2			VERSION	STATUS	REVISION	VERSION	STATUS	REVISION
WIDTH					01	RE	B	01	RE	B