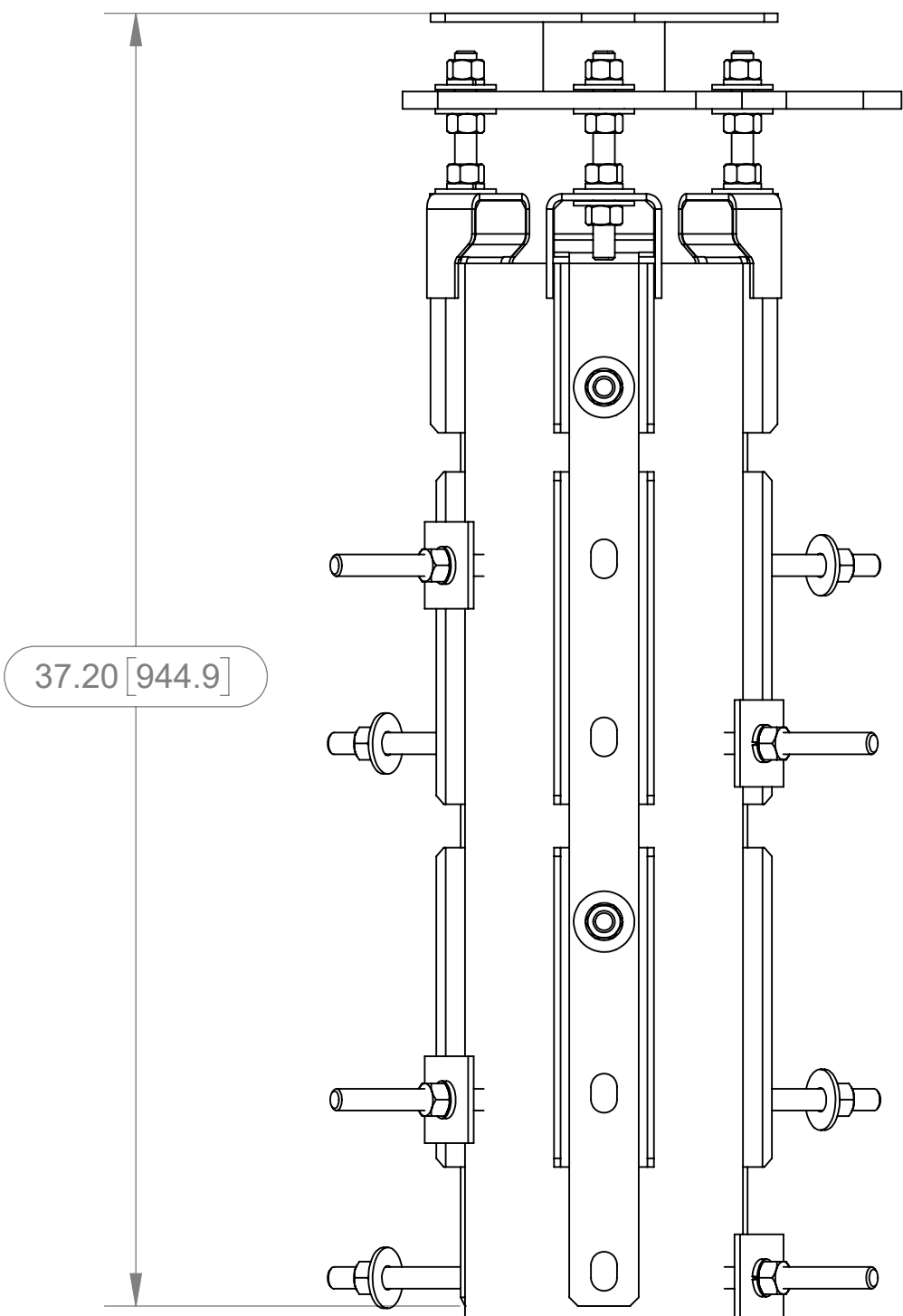
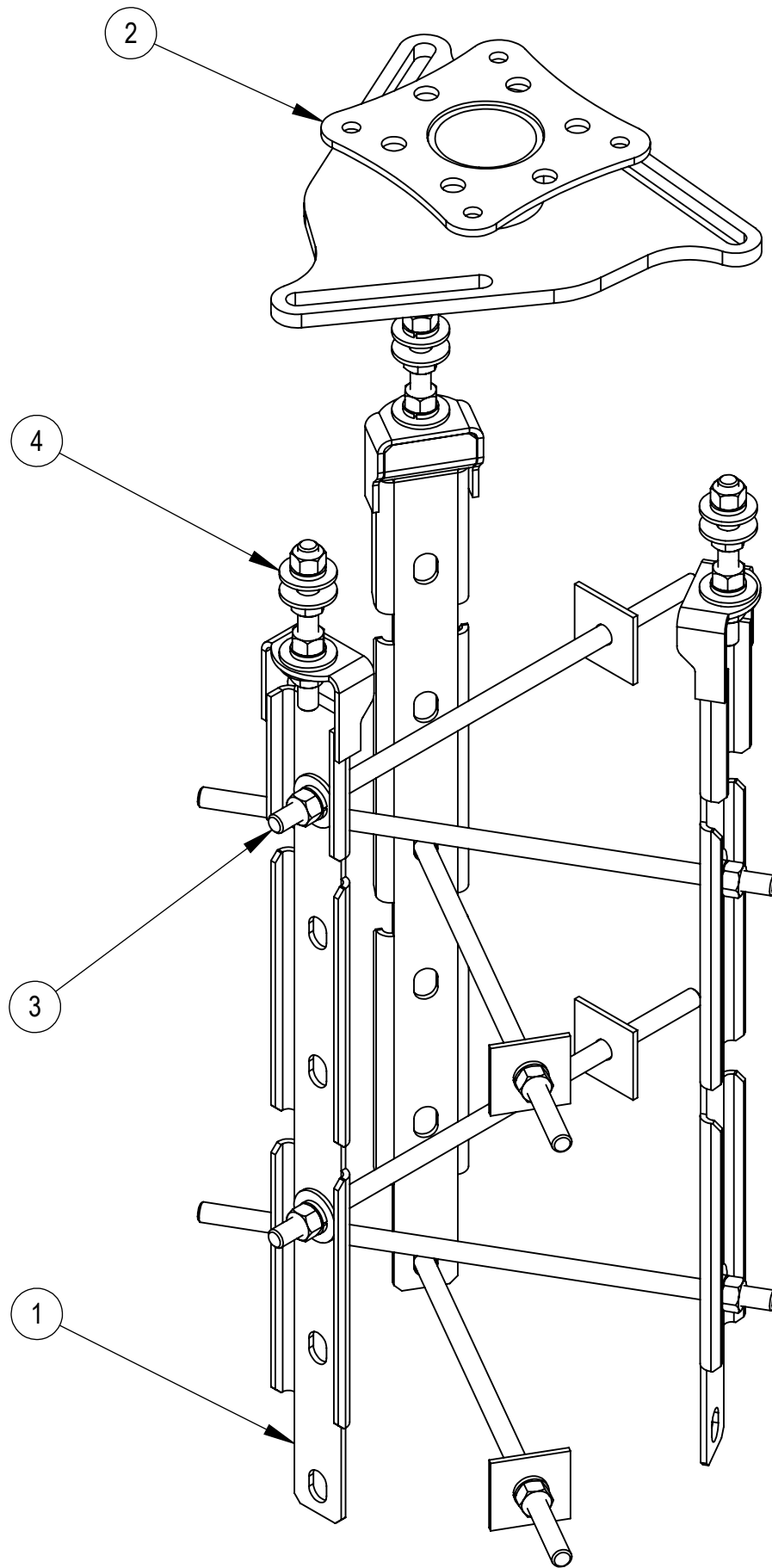
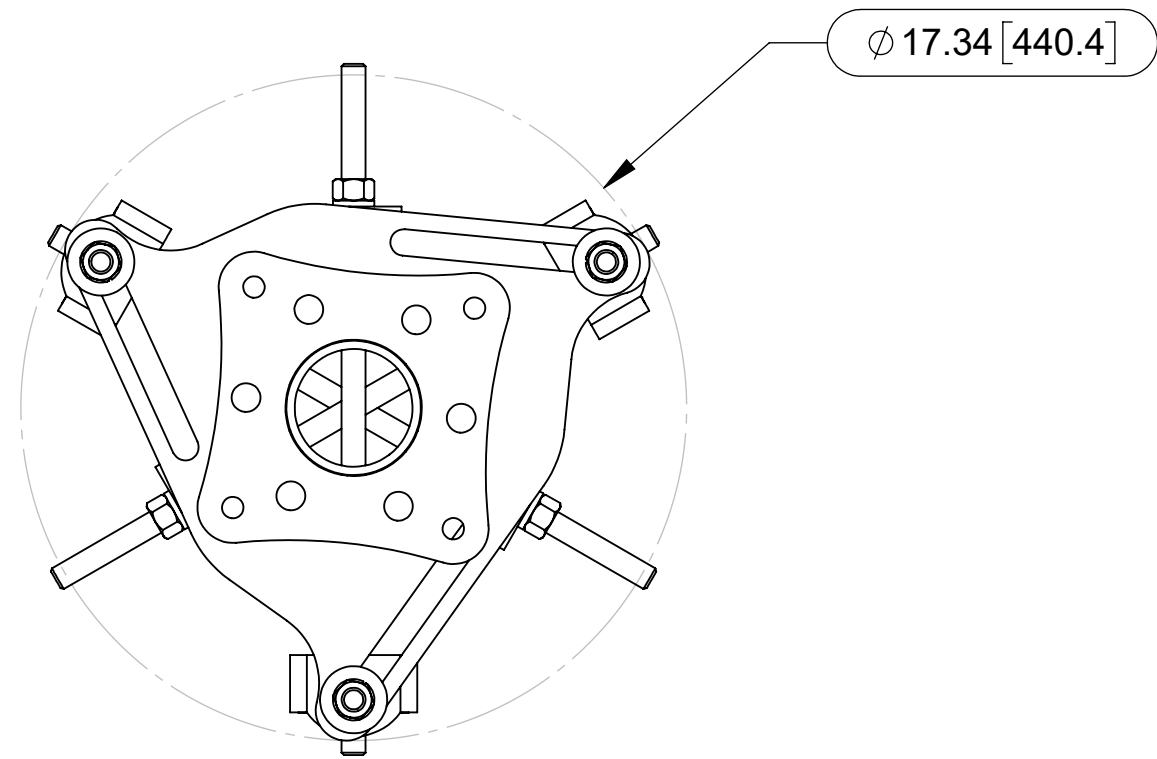


- 1. GENERAL NOTES
 - 1.1 ALL METRIC DIMENSIONS ARE IN BRACKETS [X.X]
 - 1.2 FEATURES CRITICAL TO QUALITY ARE INDICATED IN ROUNDED BOX (X.X)
- 2. DESIGN NOTES
- 3. MANUFACTURING/SPECIAL REQUIREMENTS
- 4. TEST
- 5. PACKAGING
 - 5.1 PRINT AND PLACE INSTALLATION INSTRUCTIONS IN BOX

REVISIONS				
REV.	ECN	DESCRIPTION	BY	DATE
B	8000038925	INITIAL RELEASE	GR1010	01/17/2020



ITEM NO.	PART NUMBER	DESCRIPTION	QTY.	NOTE
1	MTM1105-1200	WELDMENT, MOUNTING RAIL	3	
2	MTM1105-1000	WELDMENT, ADAPTER, 5G SPOOL, PT, LARGE	1	
3	MTM1018PHW	METROCELL COMBO BRACKET, POLE MOUNT HARD	3	
4	MTM1018LHW	KIT, HARDWARE, ADAPTER LEVELING	3	
5	860636779-INSTALL	INSTALLATION INSTRUCTIONS	1	5.1

DENSITY	49.96	lbs/in ³
MASS	187.05	lbs
VOLUME	187.05	in ³
SURFACE AREA	1701.42	in ²
HEIGHT	40.00	
LENGTH	18.45	
WIDTH	18.45	

© 2020 CommScope, Inc. Confidential

COMMSCOPE, INC. OF NORTH CAROLINA											
TOLERANCES						SAP MATERIAL MASTER					
1 PLACE .X ± 0.2			3 PLACE .XXX ± 0.063			860636779-WP					
2 PLACE .XX ± 0.13			ANGLES ± 1°								
FINISH NONE						MATERIAL SEE BOM					
UNLESS OTHERWISE SPECIFIED DIMENSIONS ARE IN INCHES INTERPRET PER ANSI Y 14.5M-1994	CE	GR1010	01/17/2020	KIT, WP MOUNT, PIPE, PT, 8-14IN							
	RW	GR1010	03/11/2020								
	AD	JP1130	03/11/2020								
	RE	GR1010	03/11/2020								
	ECN	8000038925									
SCALE		1:5		DOCUMENT NO. 860636779-WP							
SIZE	WORK AREA	INSL	MODEL				DRAWING				
C	⊕	◁	VERSION	STATUS	REVISION	VERSION	STATUS	REVISION	SHEET	1 OF 1	
			05	RE	C	03	RE	B			