

4

3

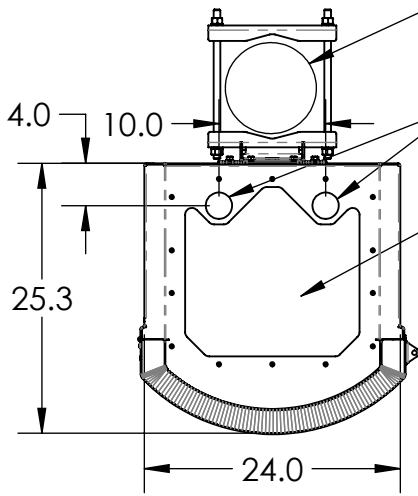
2

1

SHOWN MOUNTED ON AN 8"-10" POLE CLAMP, STRAP, AND THRU BOLT OPTIONS

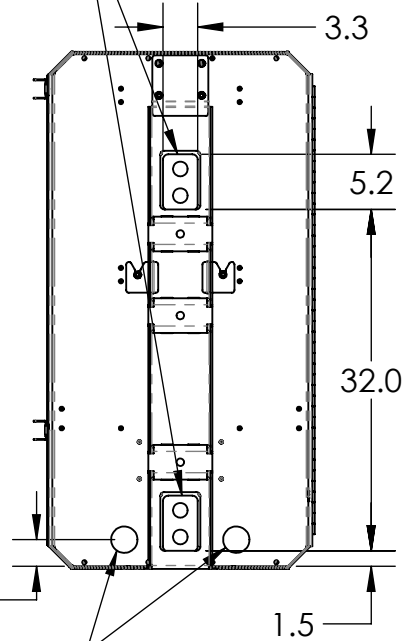
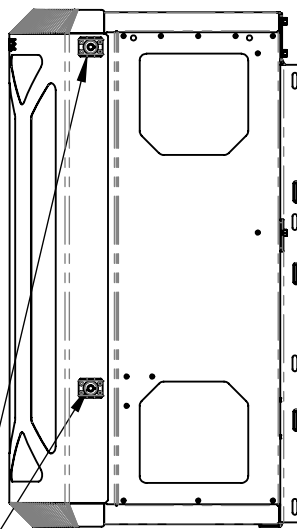
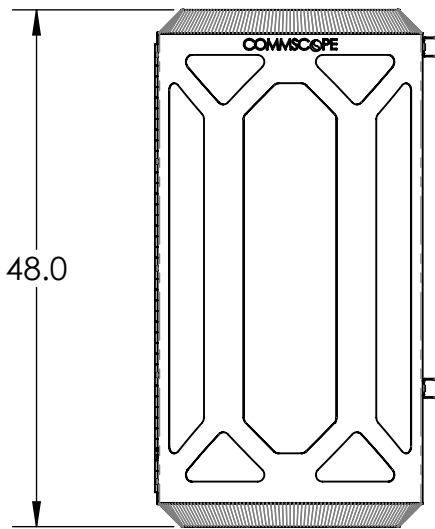
(2) 2" TRADE SIZE KNOCKOUTS FOR CABLE ENTRY/EXIT (CROSS CUT RUBBER GROMMETS INCLUDED)

FULLY VENTED WITH GR487 COMPLIANT PERF PATTERNS



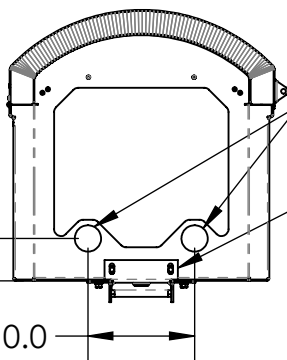
UNIVERSAL POLE MOUNTING BRACKET

REMOVABLE PANEL ACCESS



TAMPER RESISTANT LATCH WITH PADLOCK HASP

(2) 2" TRADE SIZE KNOCKOUTS



(2) 2" TRADE SIZE KNOCKOUTS

TAMPER RESISTANT M10 SCREWS

These drawings and specifications are the proprietary property of CommScope Inc. and may be used only for the specific purpose authorized in writing by CommScope Inc.

DRAWN BY: MJP

SHEET: 1 of 1

PART NUMBER: SSC-760249586X1X

CHECKED BY:

SCALE:

DESCRIPTION: METROCELL RADIO CONCEALMENT

DATE:

MATERIAL:

DRAWING TYPE: MICRO V2 SOLUTION

REVISION: A

FINISH:

WEIGHT:

COMMSCOPE®

ALL DIMENSIONS ARE IN INCHES U.O.S.
 TOLERANCES UNLESS OTHERWISE SPECIFIED:

.X = ±	.12	ANGLES	±2°
.XX = ±	.06	FRACTIONS	±1/32
.XXX = ±	.031		

REMOVE BURRS AND BREAK EDGES .005

DO NOT SCALE THIS PRINT

4

3

2

1