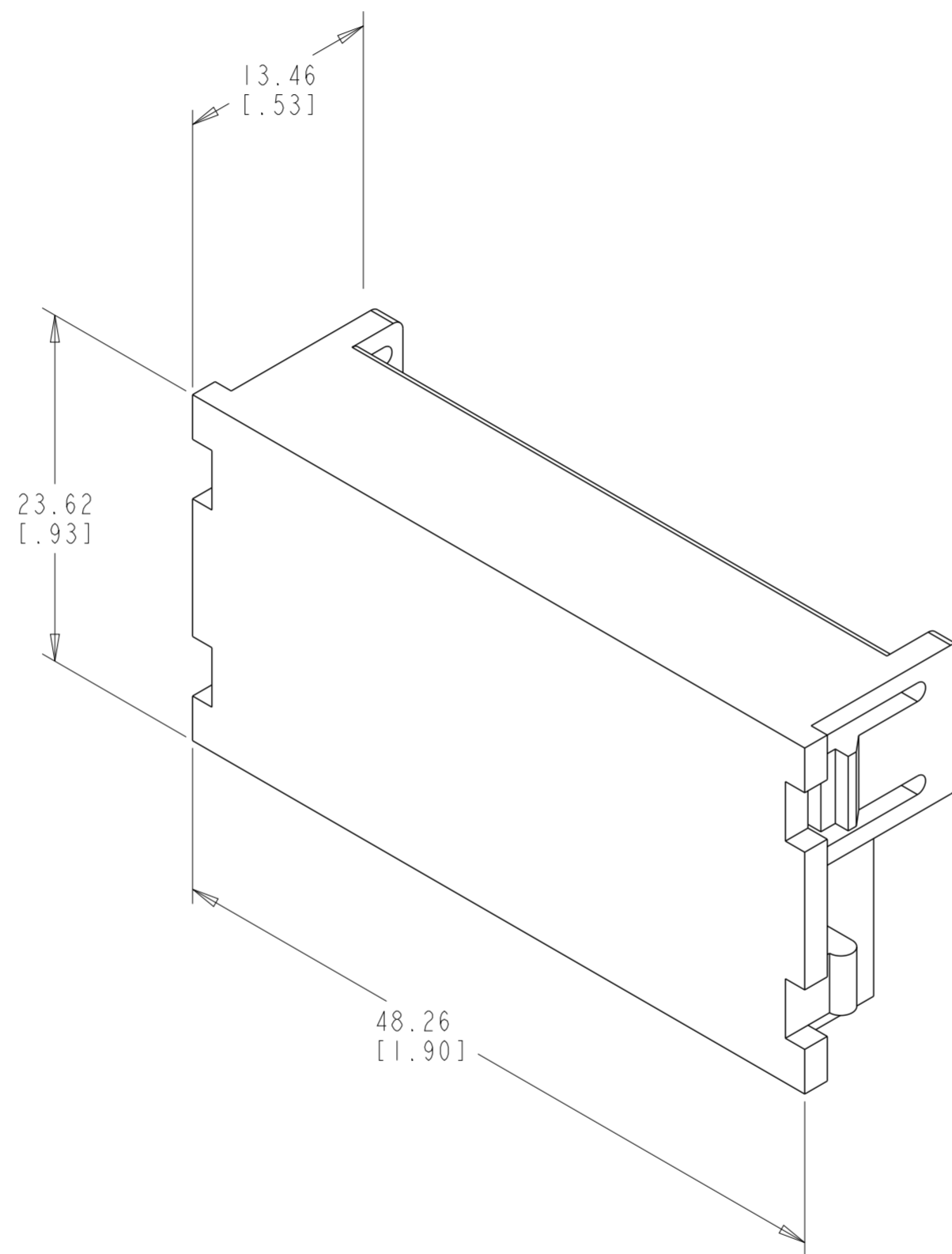


REVISIONS			
REV	CMO	DATE	APPROVED
F	40124690CMO	26-JAN-21	BL

- MATERIAL:
MODULE: ABS MOLDING COMPOUND.
SEE TABLE FOR COLOR.
- DIMENSIONS ARE NOMINAL UNLESS OTHERWISE SPECIFIED.
- REFER TO INSTRUCTION SHEET 408-8398 FOR INSTALLATION PROCEDURES.



ALPINE WHITE	I-1116410-3
LIGHT ALMOND	1116410-1
COLOR	PART NUMBER

UNITS	mm [INCHES]
TOLERANCE	VALUE
0 PLC	-
1 PLC	-
2 PLC	0.25 [.010]
3 PLC	-
4 PLC	-
ANGLE TOL	.5°
SURFACE TOL	-

COMMSCOPE, INC.			
DRAFTER T. PITTS		TITLE MODULE, BLANK, 1 UNITS HIGH, SL SERIES	
ENGINEER R. MARTIN		SIZE A2	SCALE 4:1
		DOCUMENT NO. 1116410	
CUSTOMER DRAWING			REVISION F
			SHEET 1 OF 1

