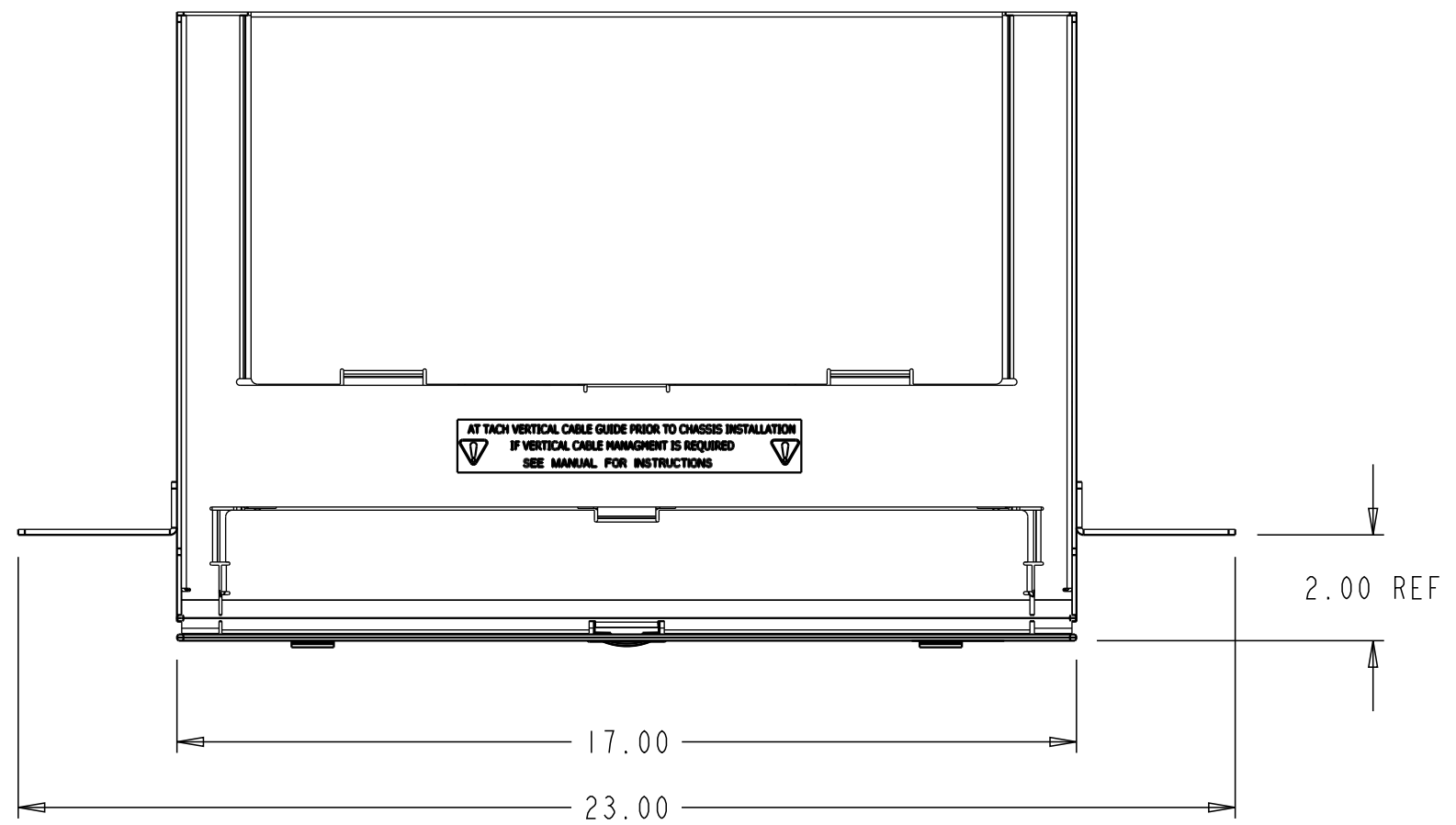
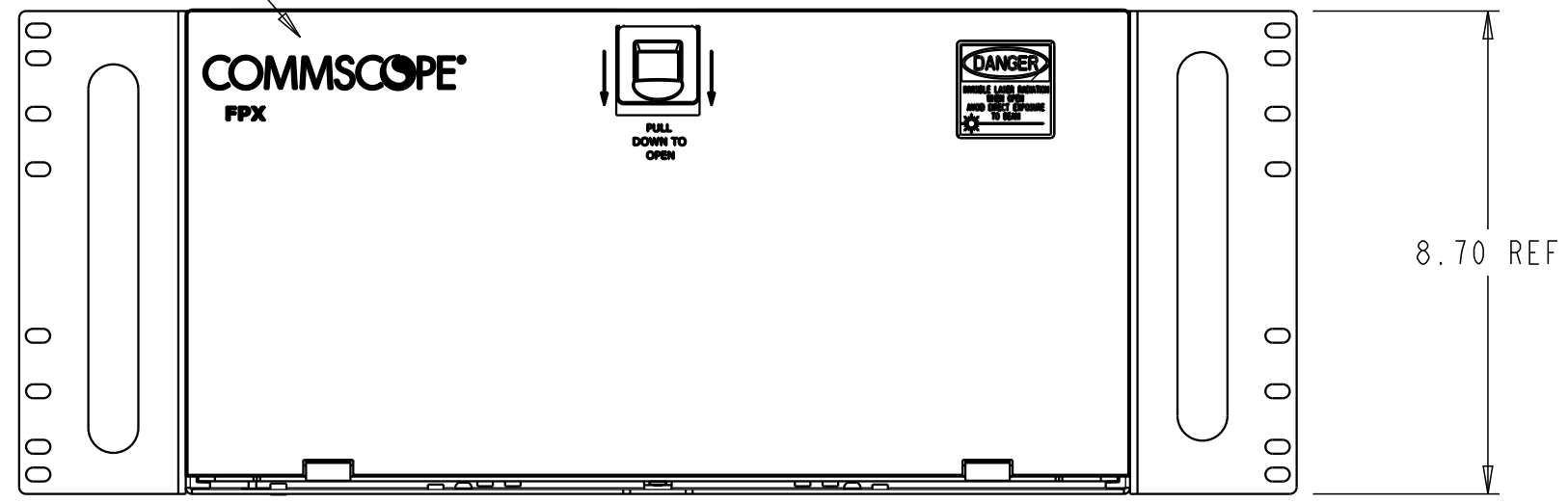


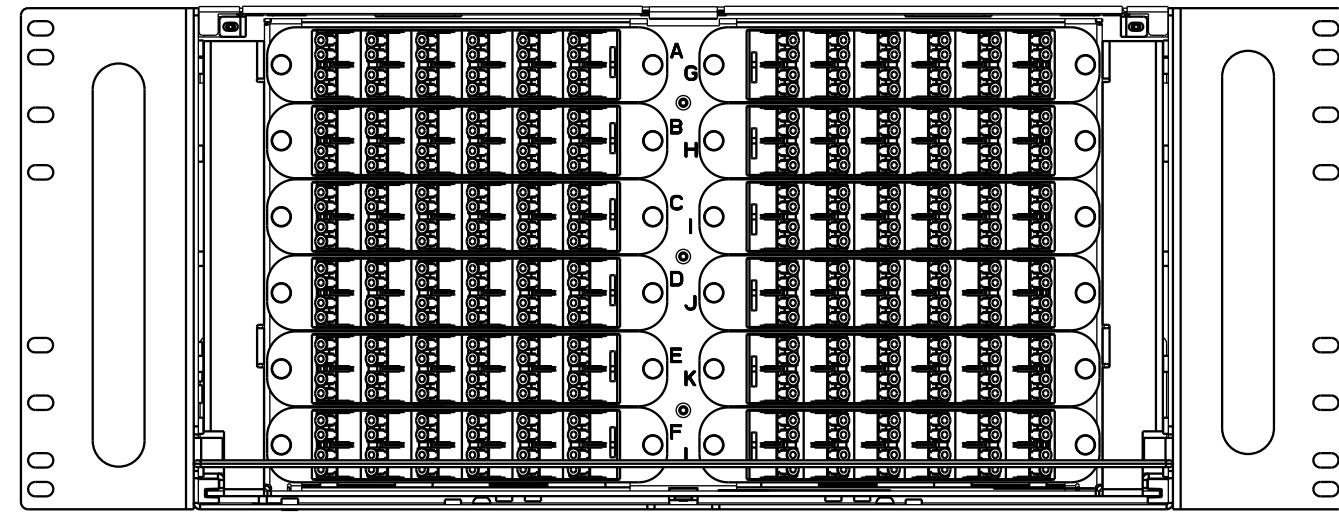
REV.	MCO	DWN	DATE
D	40027962MCO	LASR	19-JAN-16
E	40032858MCO	SC	22-AUG-16



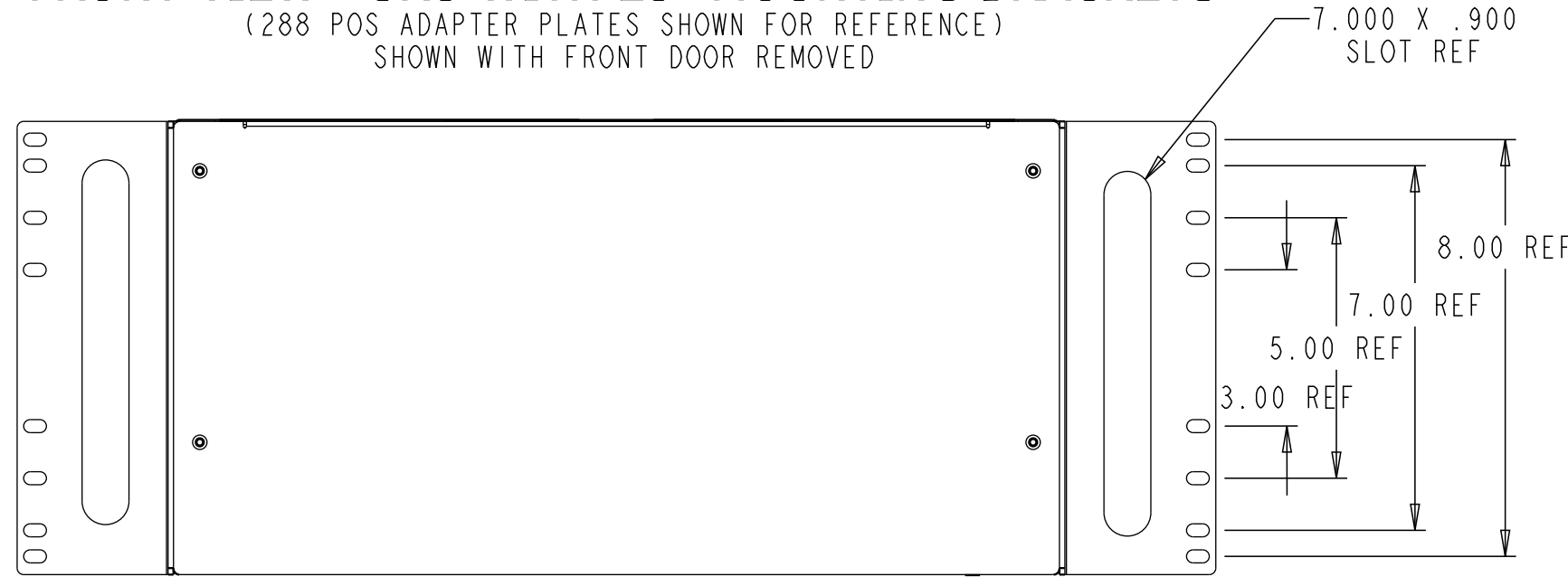
TOP VIEW



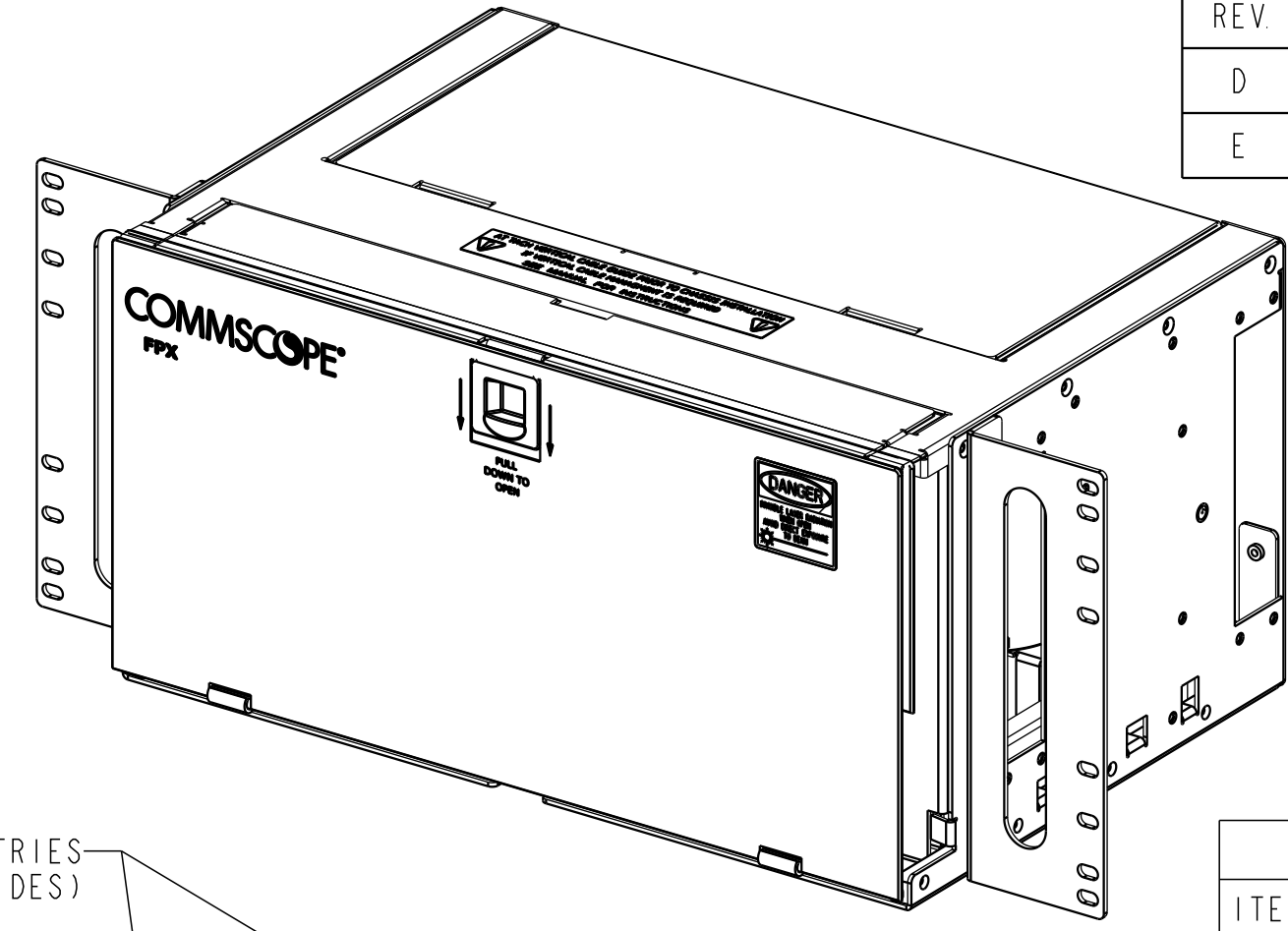
FRONT VIEW



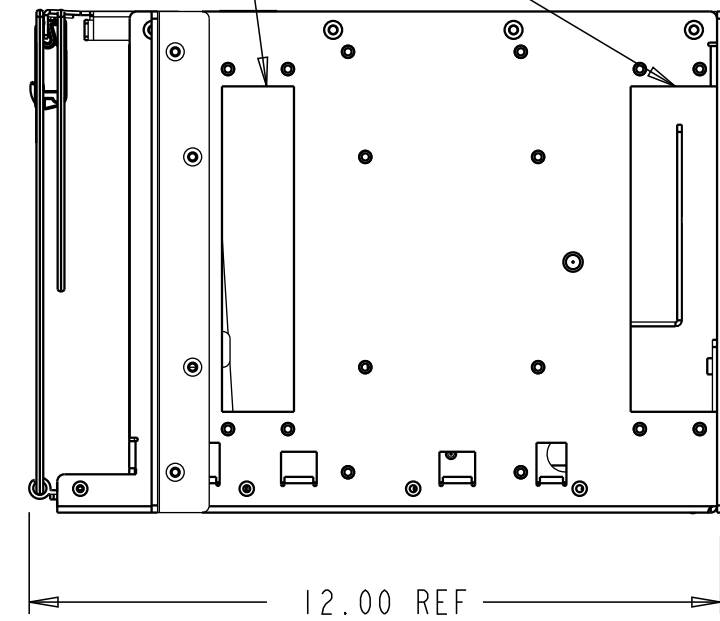
FRONT VIEW - 5RU WITH 23" MOUNTING BRACKETS
(288 POS ADAPTER PLATES SHOWN FOR REFERENCE)
SHOWN WITH FRONT DOOR REMOVED



REAR VIEW



CABLE ENTRIES
(BOTH SIDES)



RIGHT VIEW

PART LIST		
ITEM	DESCRIPTION	QTY
001	CLAMP YOKE	4
002	GROMMET	2
003	GROMMET	2
004	GROMMET	2
005	GROMMET	2
006	GROMMET	2
007	GROMMET	2
008	CLAMP COVER	2
009	CLAMP SCREW	4
010	#12 SCREW	4
011	#12 WASHER	8
012	WASHER	6
013	10-32 MACHINE SCREW	2
014	#12 GROUND WASHER	2
015	6-32 SCREW	6
017	CLAMP YOKE	2
018	CABLE CLAMP COVER	1
019	SCREW 6-32X3/4	2
020	CABLE CLAMP BRACKET	1
021	SCREW 6-32, .250 POU	2
022	STANDOFF	2
023	WASHER FLAT 1/4 SS	2
024	N125-00 1/4-20	2
025	GROUNDING TERMINAL	2
026	SPIRAL WRAP [5]	4FT
027	TIE NATURAL-6PC	2
028	VCG	2
029	CABLE SHIELD	2
030	EDGE PROTECTOR	14
031	CABLE SHIELD BRACKET	2
032	SCREW 6-32, .250	8

NOTES:

- PANEL CAN BE MOUNTED AT 2", 5" OR 8" DEPTHS IN 19" OR 23" RACKS USING WECO PATTERNS.
- REMOVE VERTICAL CABLE GUIDE FOR 2" RECESS MOUNT.
- CABLE CLAMP IS INCLUDED WITH CHASSIS (0.4 - 0.7) O.D.
- POLYCARBONATE FRONT DOOR.
- USE FOR CABLE RIBBON ENTRY.
- VCG SYSTEM CAN ONLY BE INSTALLED WHEN THE MOUNTING BRACKETS ARE ON 5" OR 8" POSITIONS.
- BEFORE SLIDE OUT THE DRAWER, REMOVE SHIPPING SCREWS (2).

© 2016 COMMSCOPE, INC. CONFIDENTIAL
NOTICE: THESE DRAWINGS AND SPECIFICATIONS
ARE THE PROPRIETARY PROPERTY OF
COMMSCOPE, INC. AND MAY BE USED ONLY FOR THE
SPECIFIC PURPOSE AUTHORIZED IN WRITING BY
COMMSCOPE, INC.

TITLE: INSTALLATION DWG FPX,
5RU SPLICE AFA 12" DEPTH

ALL DIMS AND TOLERANCES .XX:±N/A
ARE INCHES UNLESS .XXX:±N/A
OTHERWISE SPECIFIED ANGULAR:±N/A

C SIZE: DRAWING NUMBER: 300100107138
E REV

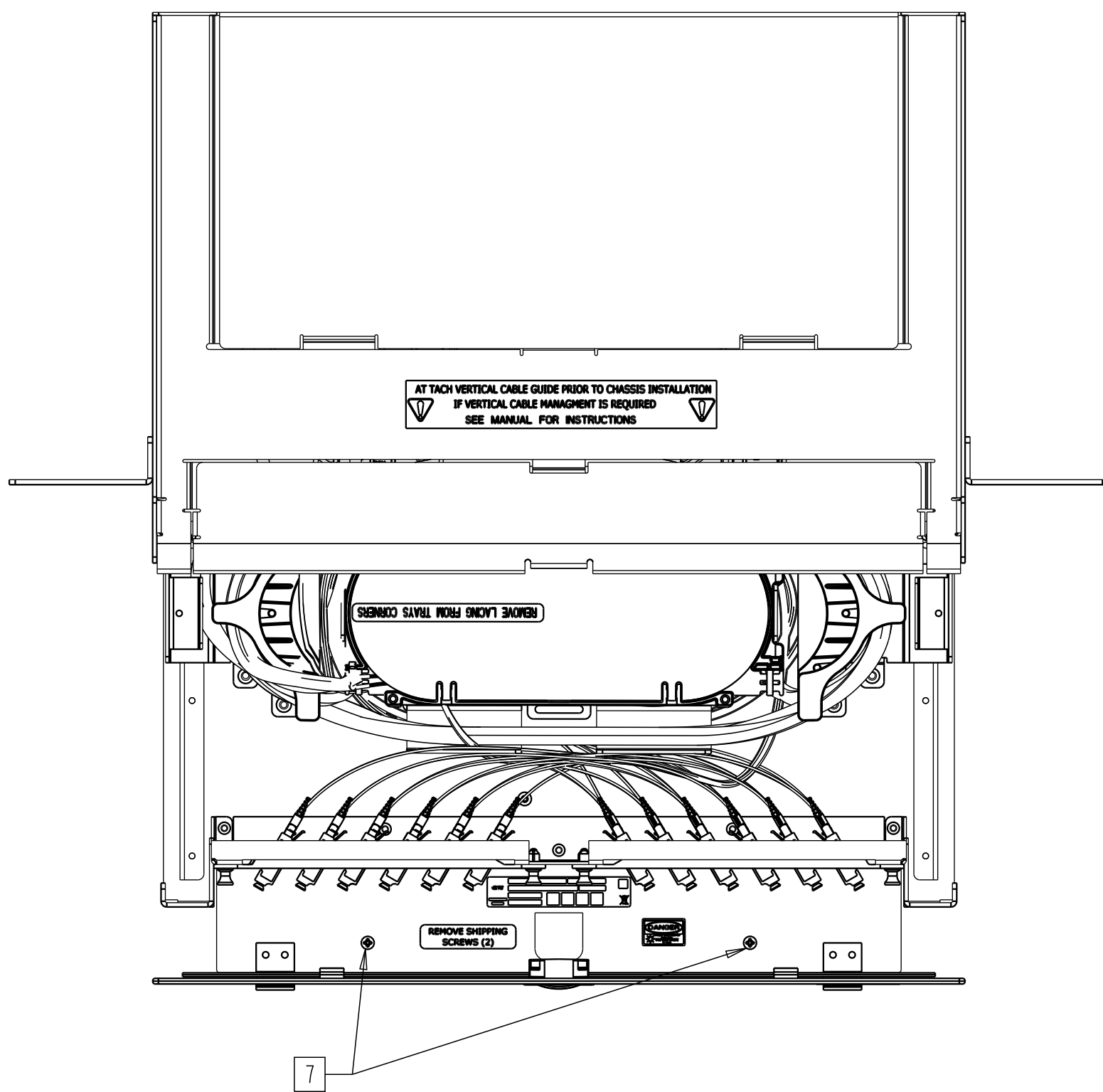
DO NOT SCALE DRAWING

ENGR: HECTOR UREÑO
DWN: ASAHIEL SALCEDO

SHT. 1 OF 3

COMMSCOPE, INC.

DIMENSIONS IN INCHES
THIRD ANGLE PROJECTION



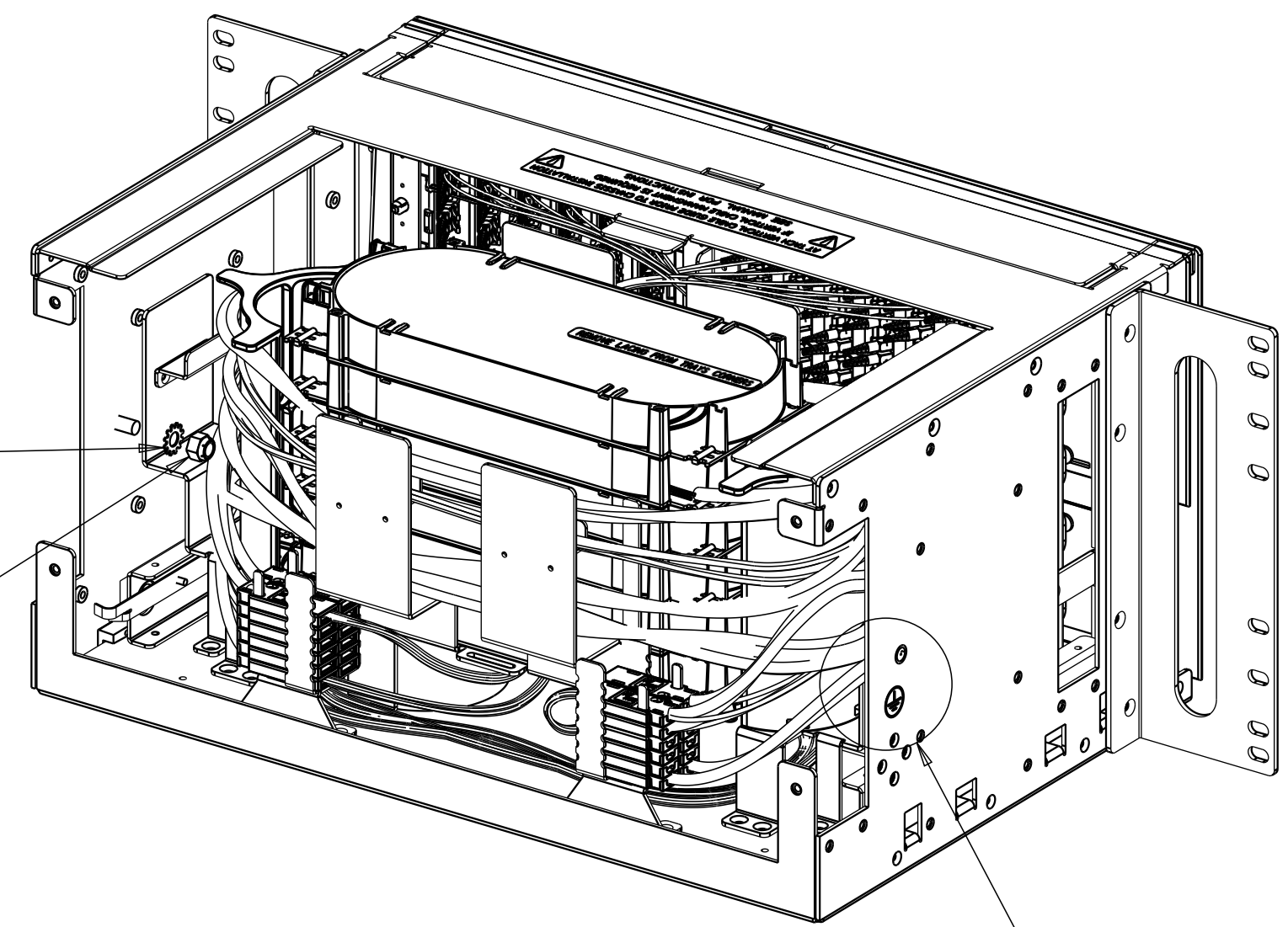
PANEL GROUNDING

EACH PANEL HAS A GROUNDING LOCATION MARKED WITH THE STANDARD GROUNDING SYMBOL. THIS LOCATION IS ON THE RIGHT SIDE OF THE PANEL AS SHOWN IN FPX 5RU PANEL DIAGRAM. USE THE TWO #10-32 GROUND SCREWS (ITEM 013) AND TWO #10 STAR WASHERS (ITEM 014) PROVIDED TO CONNECT A #6 COPPER GROUNDING CABLE TO THE PANEL. GROUND THE UNIT TO THE LOCAL FACILITY GROUND BUS PER LOCAL PRACTICE. A TWO-HOLE GROUNDING LUG IS SHOWN IN FIGURE FOR REFERENCE.

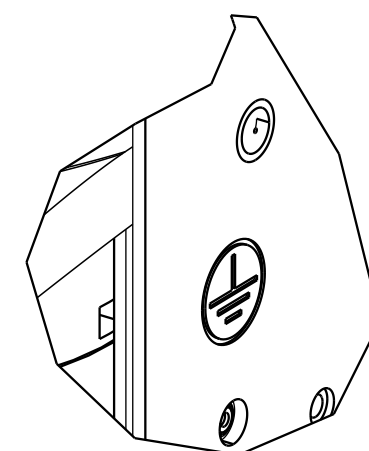
ALL PANEL IS BUILDING WITH SCREWS THREAD-FORMING WITH NIBS IN ORDER TO CUT THE PAINT AND GROUND ALL WALLS OF PANEL.

NOTES:

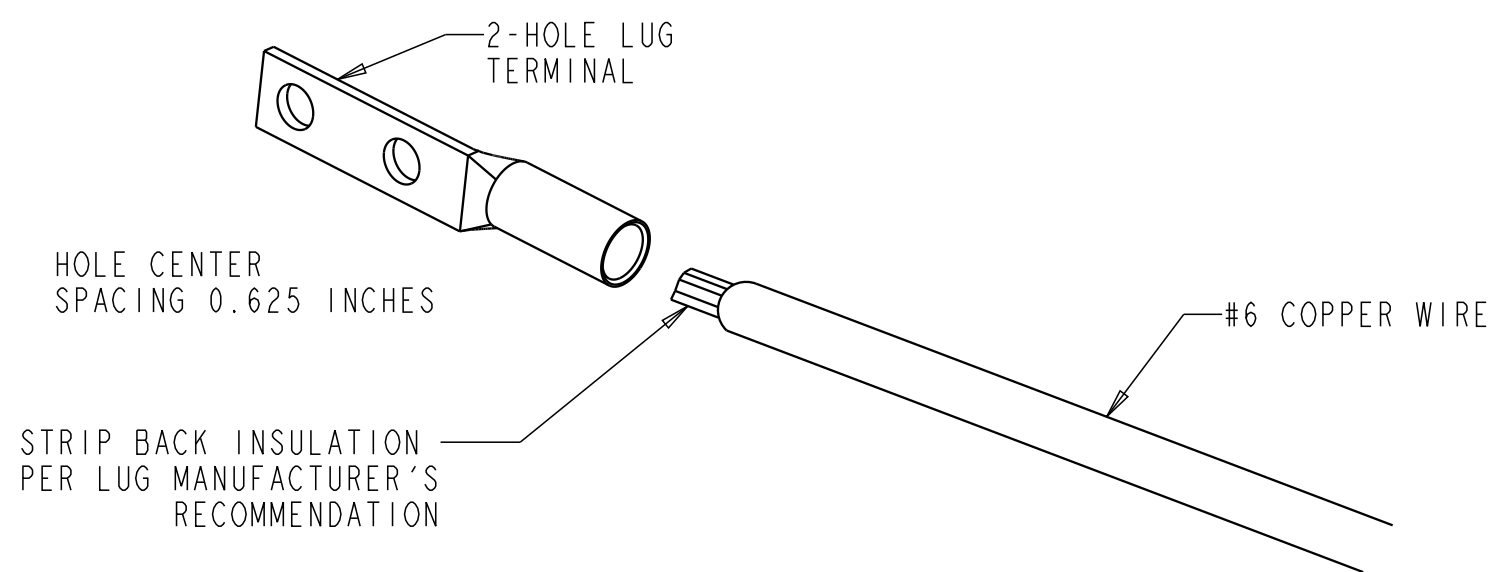
1. GROUND THE UNIT TO THE LOCAL FACILITY CBN (COMMON BONDING NETWORK) OR IBN (ISOLATED BONDING NETWORK) PER LOCAL PRACTICE.
2. GROUND SCREWS ARE TO BE TORQUED AT 40 IN-LIB
3. THE FIBER PANEL NEXT GENERATION IS DESIGNED TO BE INSTALLED IN AN ENVIRONMENTALLY CONTROLLED NETWORK TELECOMMUNICATIONS FACILITY SUCH AS A CENTRAL OFFICE, CONTROLLED ENVIRONMENTAL VAULT, OR DATA CENTER.



ISO REAR VIEW
SHOWN WITH COVERS REMOVED



DETAIL A
SCALE 1.000
GROUNDING LOCATION

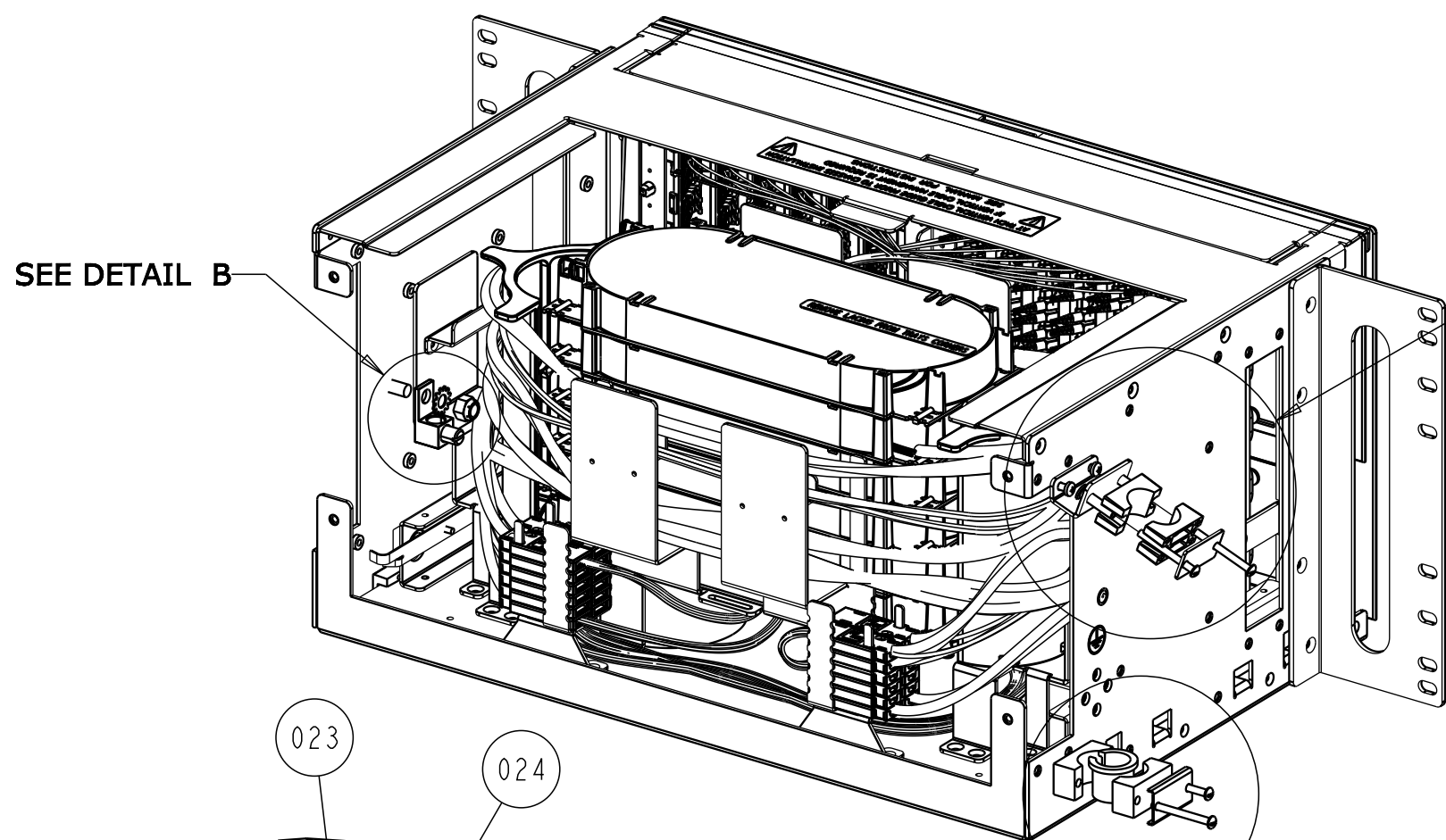


GROUND CABLE AND 2-HOLE LUG TERMINAL

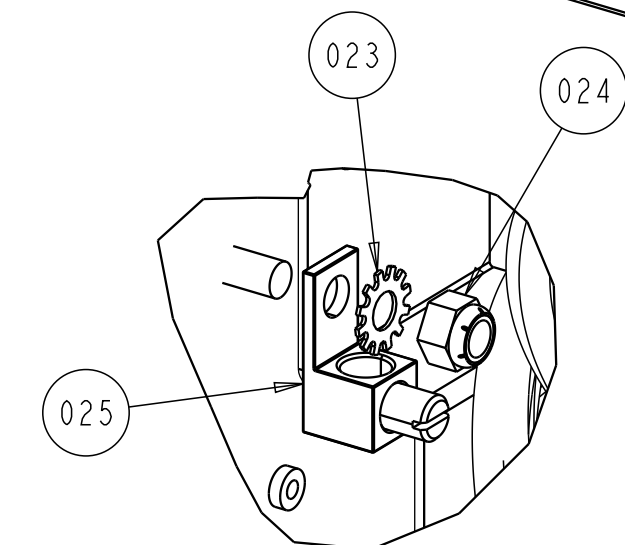
COMMSCOPE, INC.

© 2016 COMMSCOPE, INC. CONFIDENTIAL NOTICE: THESE DRAWINGS AND SPECIFICATIONS ARE THE PROPRIETARY PROPERTY OF COMMSCOPE, INC. AND MAY BE USED ONLY FOR THE SPECIFIC PURPOSE AUTHORIZED IN WRITING BY COMMSCOPE, INC.		TITLE INSTALLATION DWG FPX, 5RU SPLICE AFA 12" DEPTH	
ALL DIMS AND TOLERANCES ARE INCHES UNLESS OTHERWISE SPECIFIED	.XX:±N/A .XXX:±N/A ANGULAR:±N/A	C SIZE	DRAWING NUMBER 300100107138
DO NOT SCALE DRAWING	ENGR: HECTOR UREÑO DWN: ASAHIEL SALCEDO	E REV SHT. 2 OF 3	

DIMENSIONS IN INCHES
THIRD ANGLE PROJECTION

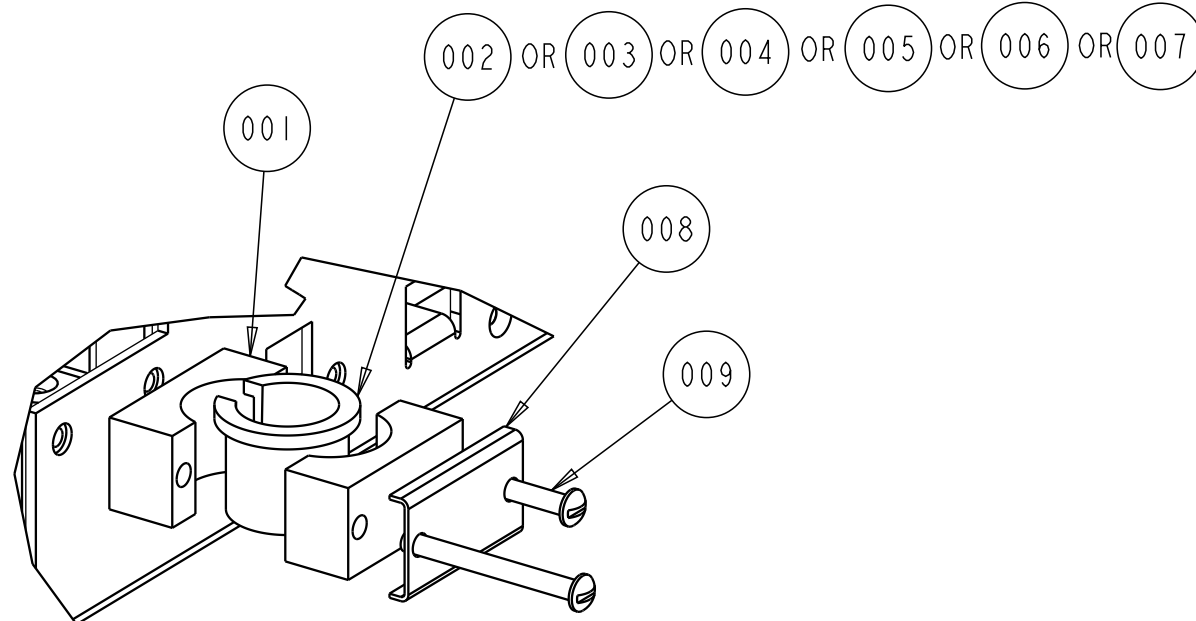


SEE DETAIL C

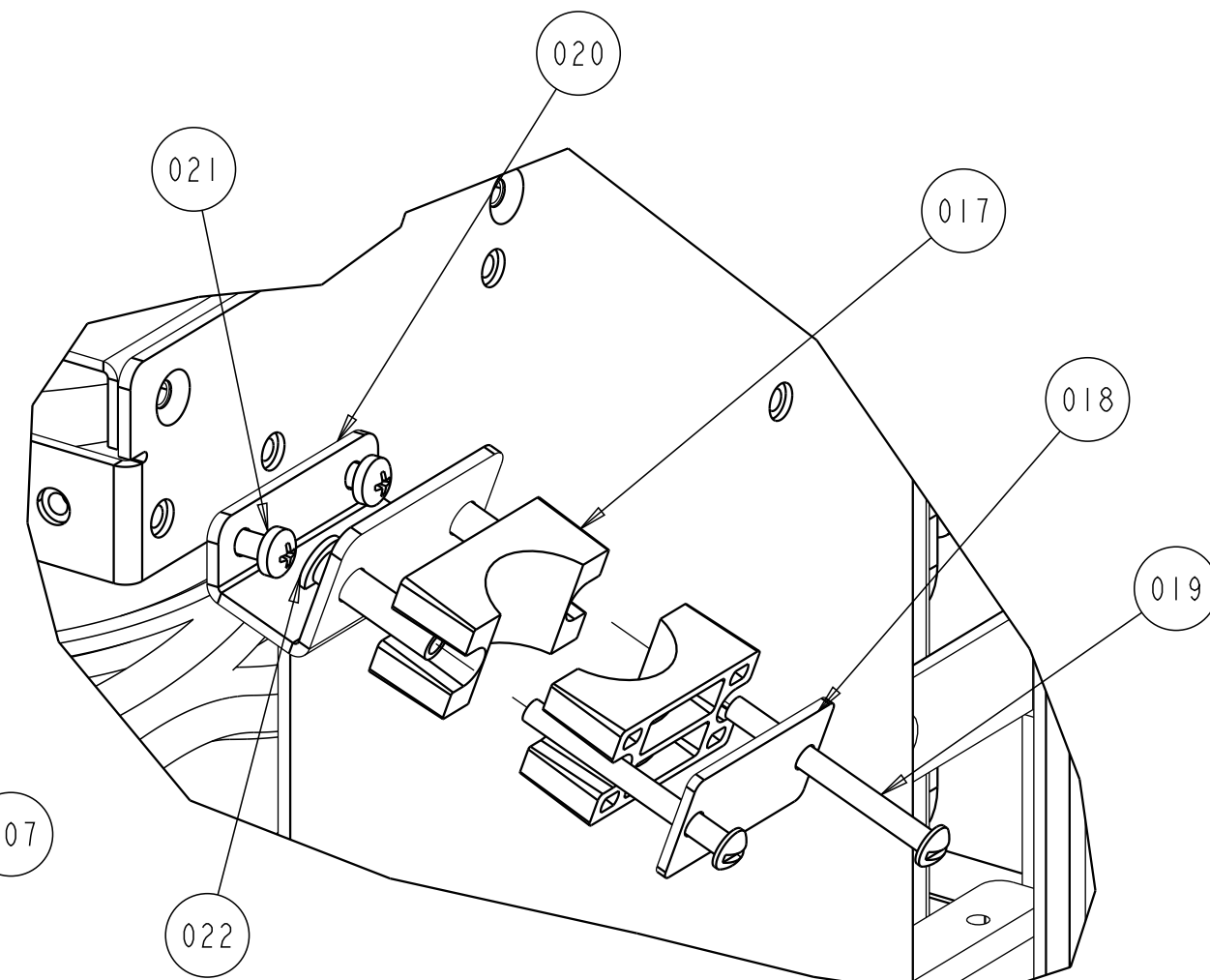


DETAIL B
SCALE 0.800

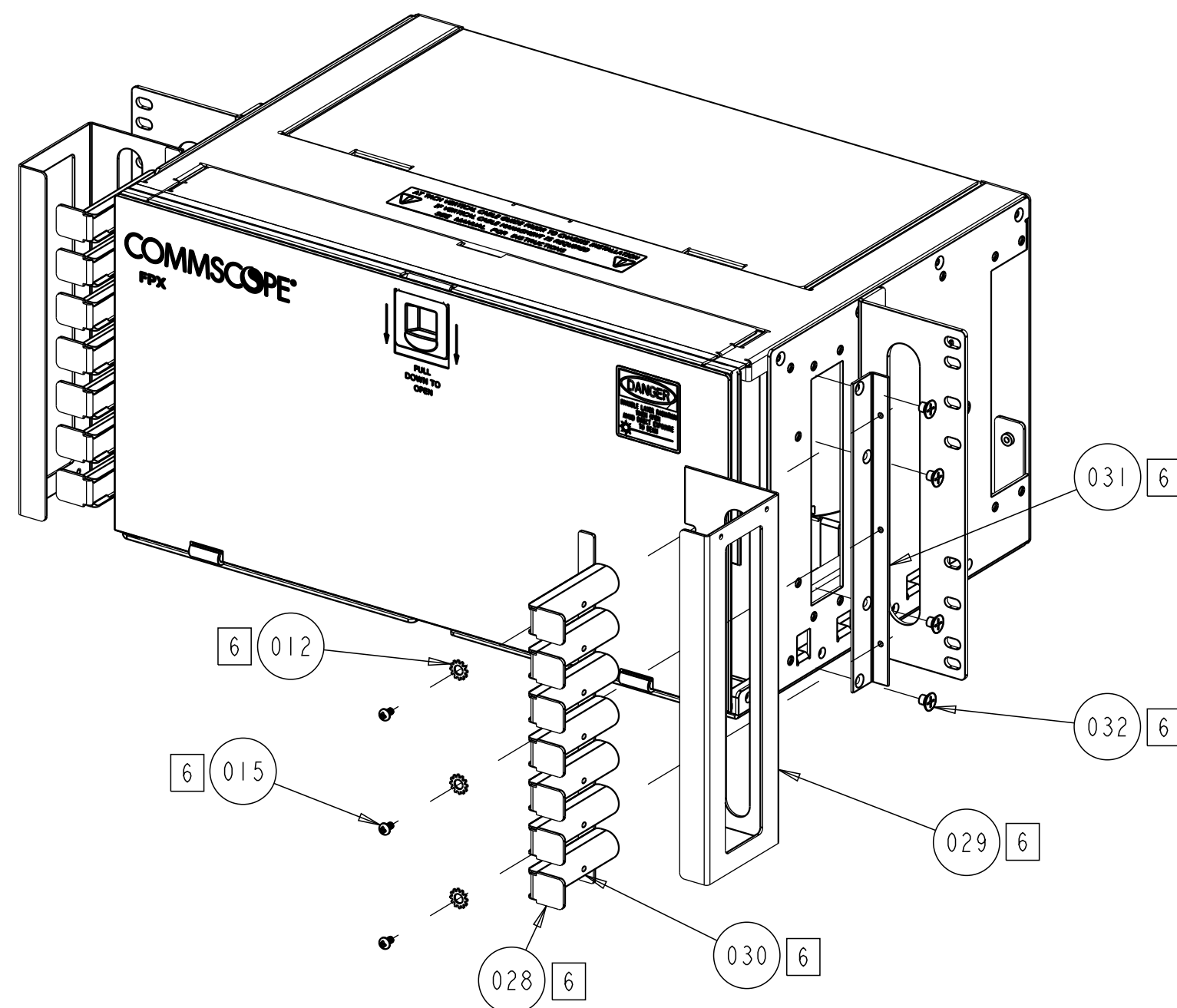
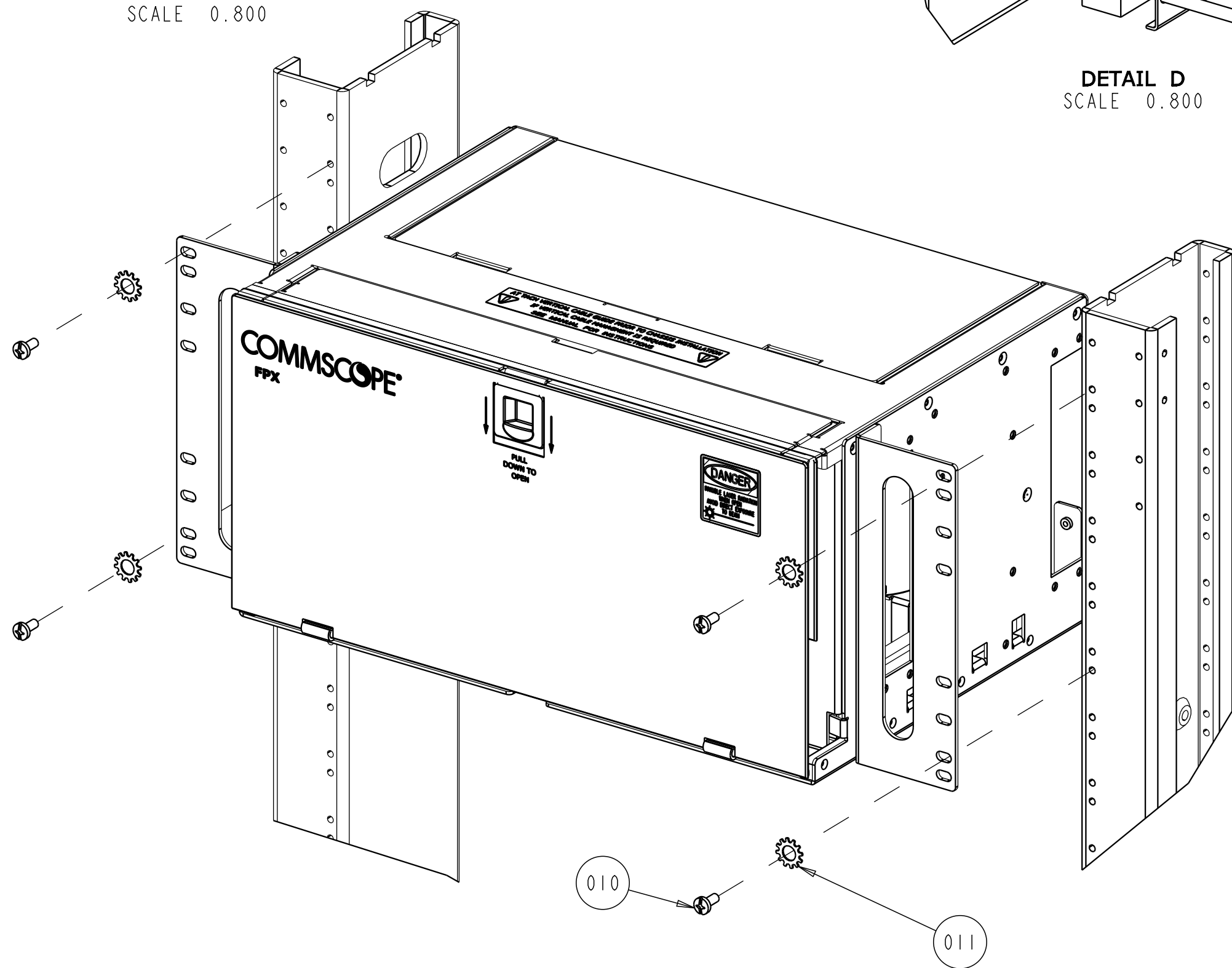
SEE DETAIL D



DETAIL D
SCALE 0.800



DETAIL C
SCALE 1.000



COMMSCOPE, INC.

© 2016 COMMSCOPE, INC. CONFIDENTIAL
NOTICE: THESE DRAWINGS AND SPECIFICATIONS
ARE THE PROPRIETARY PROPERTY OF
COMMSCOPE, INC. AND MAY BE USED ONLY FOR THE
SPECIFIC PURPOSE AUTHORIZED IN WRITING BY
COMMSCOPE, INC.

ALL DIMS AND TOLERANCES .XX:±N/A
ARE INCHES UNLESS .XXX:±N/A
OTHERWISE SPECIFIED ANGULAR:±N/A

DO NOT SCALE DRAWING

ENGR: HECTOR UREÑO
DWN: ASAHIEL SALCEDO

TITLE INSTALLATION DWG FPX,
5RU SPLICE AFA 12" DEPTH

DRAWING NUMBER 300100107138
C SIZE E REV

SHT. 3 OF 3

DIMENSIONS IN INCHES
THIRD ANGLE PROJECTION