

# WB-EXT

---

Extension Kit, safety grating

## Product Classification

**Product Type** Waveguide bridge kit

## General Specifications

**Application** Waveguide bridge kit, 24 in

**Mounting** Pipe, 88.9 mm (3-1/2 in) OD

## Dimensions

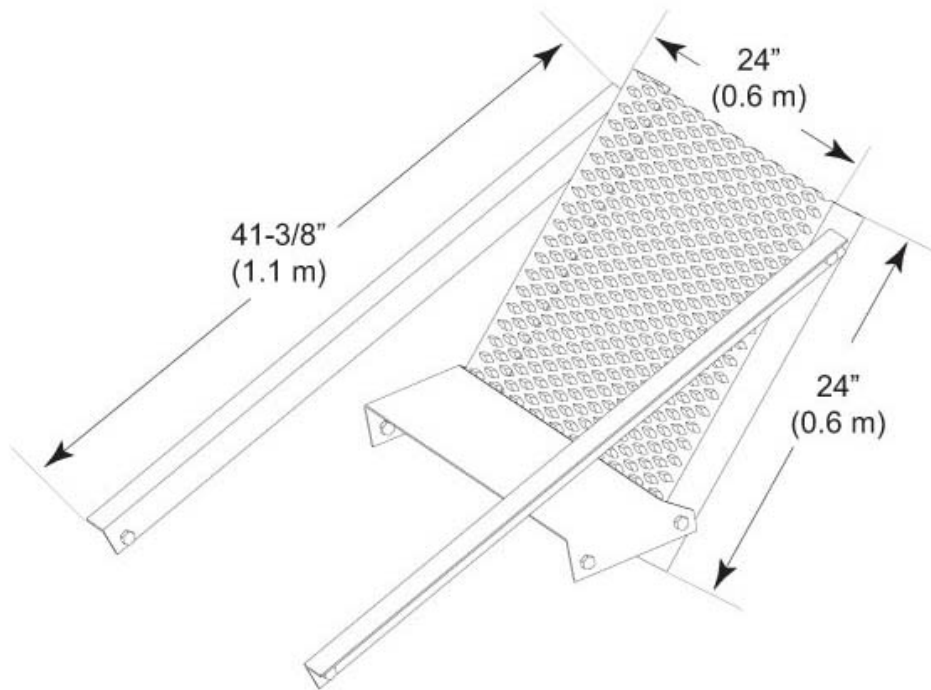
**Height** 101.6 mm | 4 in

**Width** 609.6 mm | 24 in

**Length** 609.6 mm | 24 in

# WB-EXT

## Outline Drawing



## Material Specifications

**Material Type** Hot dip galvanized steel

## Packaging and Weights

**Included** Channel support bracket | Hardware

**Packaging quantity** 1

**Weight, net** 34.5 kg | 76.059 lb

## Regulatory Compliance/Certifications

Agency	Classification
CHINA-ROHS	Below maximum concentration value
ISO 9001:2015	Designed, manufactured and/or distributed under this quality management system
ROHS	Compliant
UK-ROHS	Compliant

