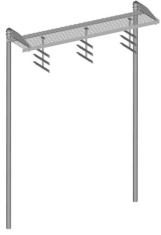


# WB-K210-B15

---



Safety Grated Waveguide Bridge Kit, 24 in x 10 ft, with two 15 ft 4 in direct burial posts

## Product Classification

**Product Type** Waveguide bridge kit

## General Specifications

**Application** Direct burial

**Cable Runs, quantity** 24

**Pipe, quantity** 2

## Dimensions

**Height** 4572 mm | 180 in

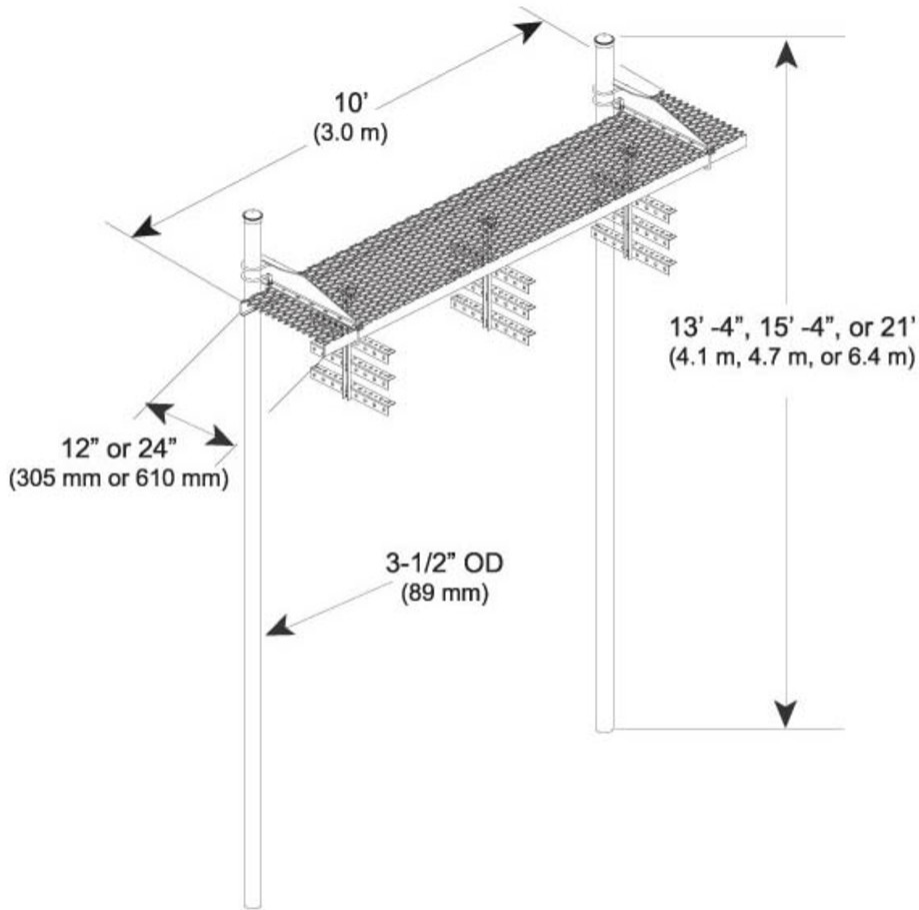
**Width** 609.6 mm | 24 in

**Length** 3048 mm | 120 in

**Pipe Length** 4,663.44 mm | 183.6 in

# WB-K210-B15

## Outline Drawing



## Material Specifications

**Material Type** Hot dip galvanized steel

## Packaging and Weights

**Included** Caps | Channel | Hardware | Posts | Support brackets | Trapeze

**Packaging quantity** 1

**Weight, net** 174.6 kg | 384.927 lb

## Regulatory Compliance/Certifications

**Agency** **Classification**

# WB-K210-B15

---

CHINA-ROHS	Above maximum concentration value
ISO 9001:2015	Designed, manufactured and/or distributed under this quality management system
ROHS	Compliant/Exempted
UK-ROHS	Compliant/Exempted



## Included Products

- |           |   |   |
|-----------|---|---|
| MF-273    | - | Direct Burial Pipe Column, 15 ft 4 in                             |
| WB-CY210  | - | Safety Grated Waveguide Bridge Channel, 24 in x 10 ft             |
| WB-LB24-3 | - | Waveguide Bridge Support Bracket, 24 in wide for 3-1/2 in OD legs |
| WB-T24-3  | - | Trapeze Kit, triple tee, 24 in wide, three rungs                  |

# MF-273

---



Direct Burial Pipe Column, 15 ft 4 in

## Product Classification

**Product Type** Pipe column

## General Specifications

**Application** Direct burial

**Mounting** Waveguide bridge support bracket

**Pipe, quantity** 1

## Dimensions

**Height** 4,673.6 mm | 184 in

**Width** 88.9 mm | 3.5 in

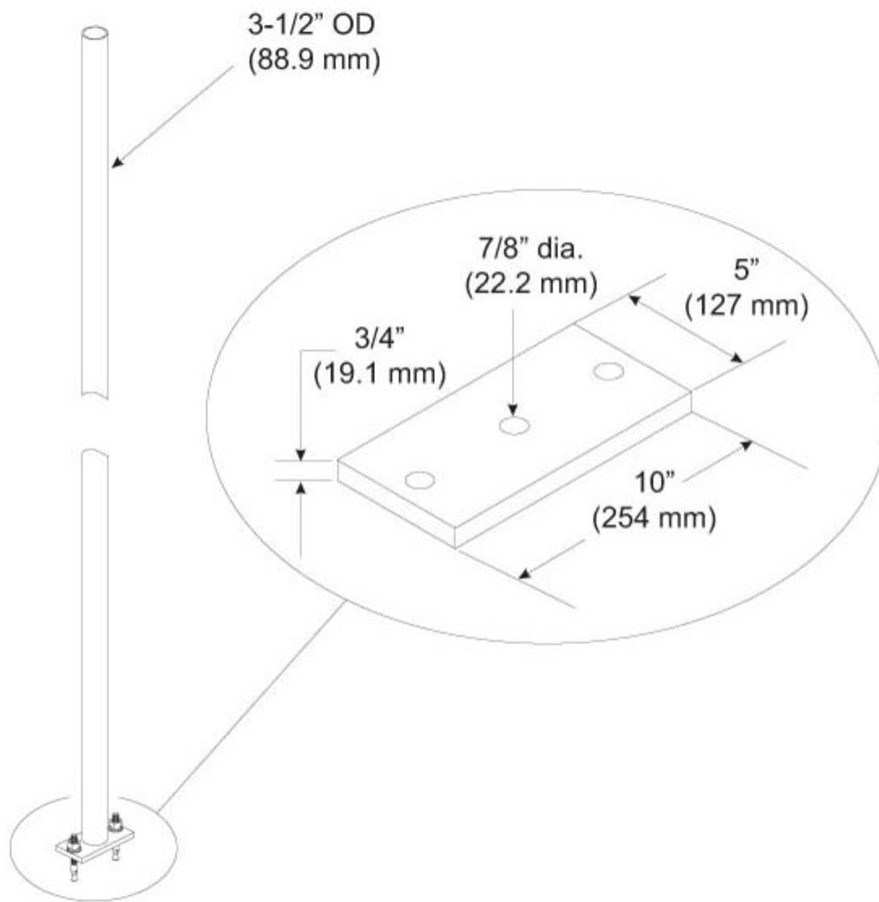
**Length** 88.9 mm | 3.5 in

**Pipe Length** 4,663.44 mm | 183.6 in

**Pipe Outer Diameter** 88.9 mm | 3.5 in

# MF-273

## Outline Drawing



## Material Specifications

**Material Type** Hot dip galvanized steel

## Packaging and Weights

**Included** Anchors | Pipe

**Packaging quantity** 1

**Weight, net** 52.6 kg | 115.963 lb

## Regulatory Compliance/Certifications

**Agency** **Classification**

# MF-273

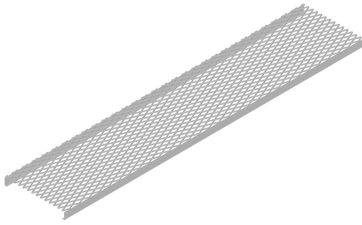
---

CHINA-ROHS	Above maximum concentration value
ISO 9001:2015	Designed, manufactured and/or distributed under this quality management system
ROHS	Compliant/Exempted
UK-ROHS	Compliant/Exempted



# WB-CY210

---



Safety Grated Waveguide Bridge Channel, 24 in x 10 ft

## Product Classification

**Product Type** Waveguide bridge channel

## General Specifications

**Application** Waveguide bridge kit, 24 in

## Dimensions

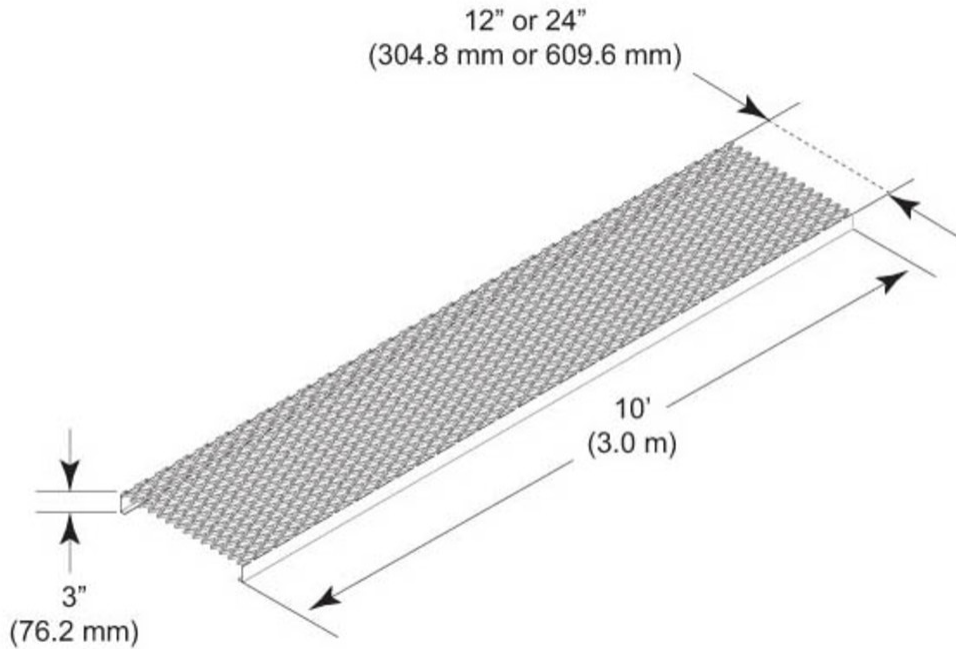
**Height** 76.2 mm | 3 in

**Width** 609.6 mm | 24 in

**Length** 3048 mm | 120 in

# WB-CY210

## Outline Drawing



## Material Specifications

**Material Type** Hot dip galvanized steel

## Packaging and Weights

**Included** Bridge channel

**Packaging quantity** 1

**Weight, net** 50.4 kg | 111.113 lb

## Regulatory Compliance/Certifications

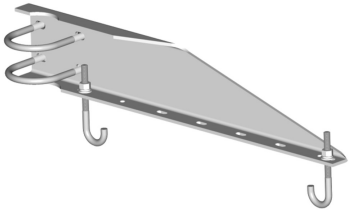
Agency	Classification
CHINA-ROHS	Above maximum concentration value
ISO 9001:2015	Designed, manufactured and/or distributed under this quality management system
ROHS	Compliant/Exempted
UK-ROHS	Compliant/Exempted





# WB-LB24-3

---



Waveguide Bridge Support Bracket, 24 in wide for 3-1/2 in OD legs

## Product Classification

**Product Type** Support bracket

## General Specifications

**Application** Waveguide bridge kit, 24 in

**Cable Runs, quantity** 24

**Mounting** Pipe, 88.9 mm (3-1/2 in) OD

## Dimensions

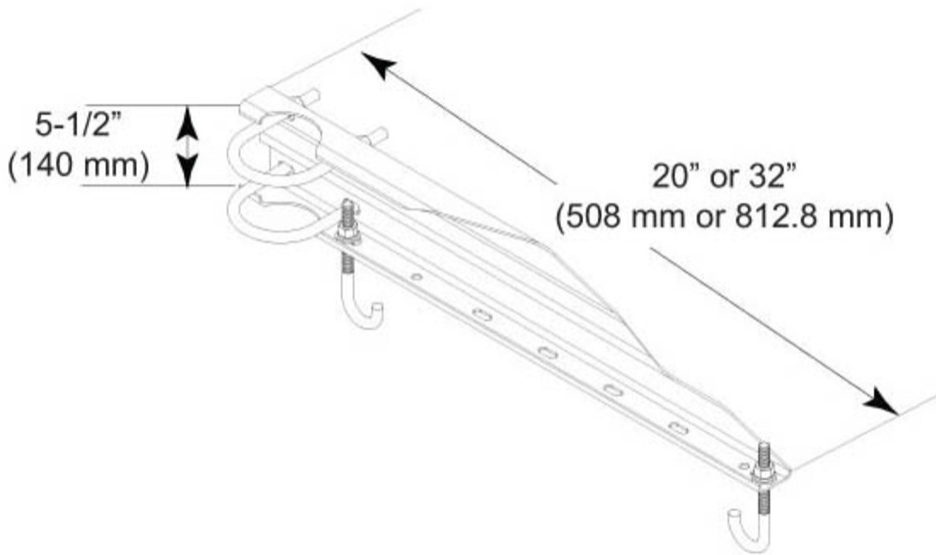
**Height** 50.8 mm | 2 in

**Width** 812.8 mm | 32 in

**Length** 152.4 mm | 6 in

# WB-LB24-3

## Outline Drawing



## Material Specifications

**Material Type** Hot dip galvanized steel

## Packaging and Weights

**Included** Brackets | Hardware

**Packaging quantity** 1

**Weight, net** 7.3 kg | 16.094 lb

## Regulatory Compliance/Certifications

### Agency

CHINA-ROHS

ISO 9001:2015

ROHS

UK-ROHS

### Classification

Above maximum concentration value

Designed, manufactured and/or distributed under this quality management system

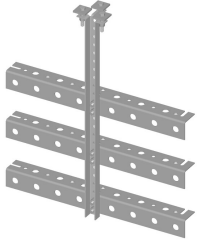
Compliant/Exempted

Compliant/Exempted



# WB-T24-3

---



Trapeze Kit, triple tee, 24 in wide, three rungs

## Product Classification

**Product Type** Trapeze kit

## General Specifications

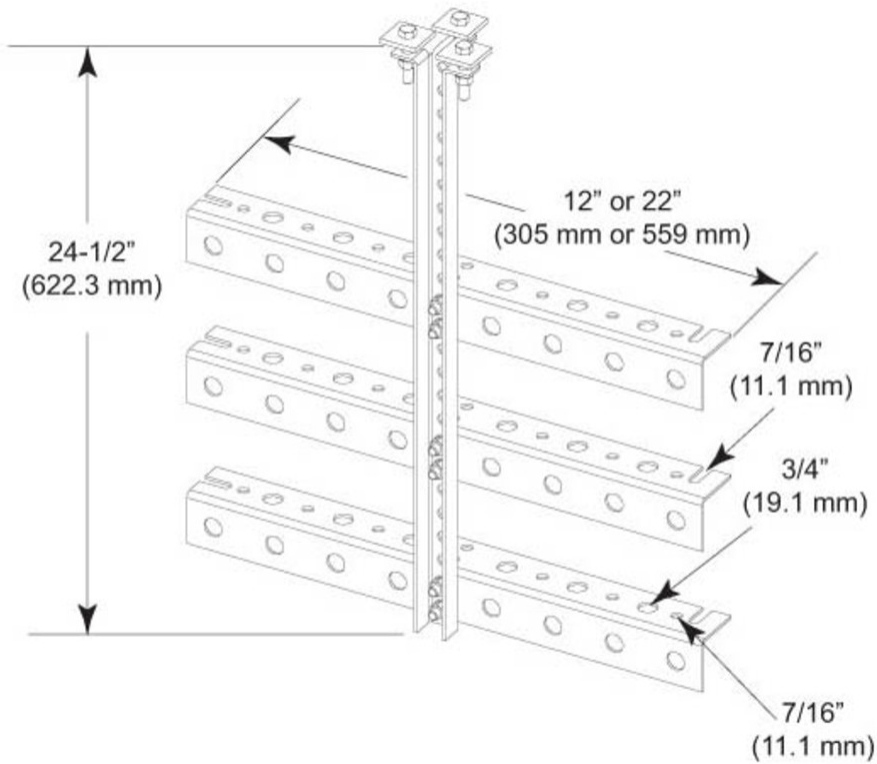
**Application** Waveguide bridge kit, 24 in  
**Cable Runs, quantity** 24  
**Hole, quantity** 24  
**Mounting** Waveguide bridge channel  
**Rungs, quantity** 3

## Dimensions

**Height** 76.2 mm | 3 in  
**Width** 609.6 mm | 24 in  
**Length** 635 mm | 25 in  
**Hole Size** 3/4 in | 7/16 in

# WB-T24-3

## Outline Drawing



## Material Specifications

**Material Type** Hot dip galvanized steel

## Packaging and Weights

**Included** Angle brackets | Mounting hardware

**Packaging quantity** 1

**Weight, net** 5.9 kg | 13.007 lb

## Regulatory Compliance/Certifications

**Agency**

ISO 9001:2015

**Classification**

Designed, manufactured and/or distributed under this quality management system