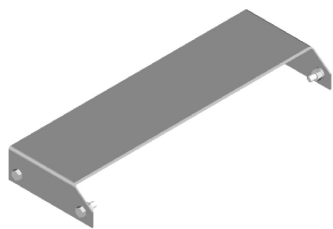


WB-SP



Waveguide Bridge Splice

Product Classification

Product Type Splices and splicing kits

General Specifications

Application Waveguide bridge kit, 24 in

Mounting Waveguide bridge kit

Dimensions

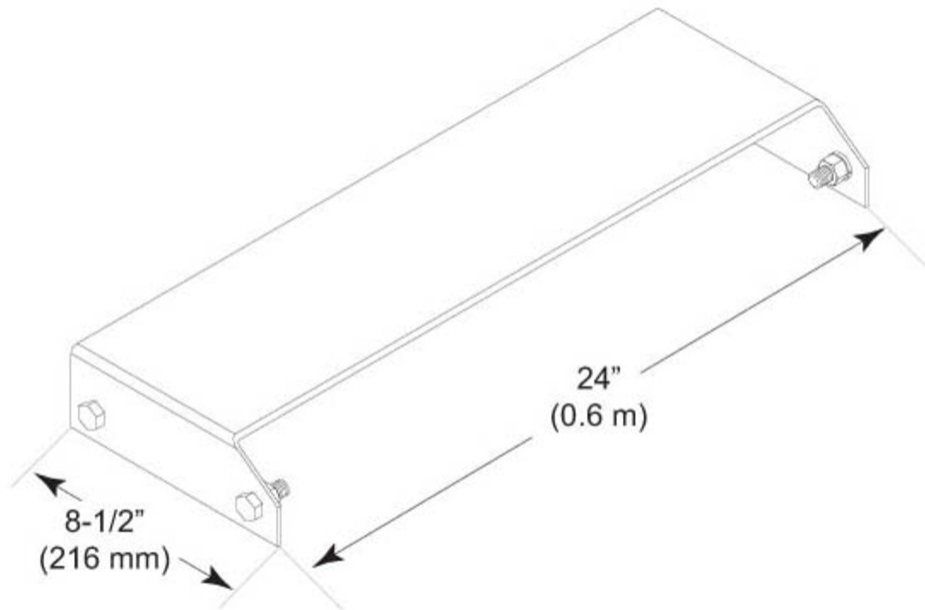
Height 76.2 mm | 3 in

Width 609.6 mm | 24 in

Length 228.6 mm | 9 in

WB-SP

Outline Drawing



Material Specifications

Material Type Hot dip galvanized steel

Packaging and Weights

Included Extension | Hardware

Packaging quantity 1

Weight, net 3.5 kg | 7.716 lb

Regulatory Compliance/Certifications

Agency

CHINA-ROHS

ISO 9001:2015

REACH-SVHC

ROHS

Classification

Below maximum concentration value

Designed, manufactured and/or distributed under this quality management system

Compliant as per SVHC revision on www.commscope.com/ProductCompliance

Compliant

