



FST-T2 Flexible Service Terminal, 12f, 6 Port x 2 Fiber, 6 HMFOC Adapters (Jack/male/pinned, 2 fibers per adapter at drop side, Stub at feeder side, black, 500 ft/152 m

- Flexible Service Terminals incorporate hardened connector technology that is designed to withstand the rugged outside plant environment
- Hardened connectors are factory-terminated and environmentally sealed for use in optical drop cable deployments
- Flexible structure allowing installation in constrained spaces
- Output adapter ports have 2 Fibers per port; input 12 Fiber cable stub 500 foot length

Product Classification

Regional Availability	North America
Product Type	Access terminal, with multi-fiber port
Product Series	FST-T2
Minimum Order Quantity	1

General Specifications

Cable Type	Dielectric - Loose Tube
Cable, quantity	7
Distribution Type	6 ports
Drop Port Type	Hardened multi-fiber (HMFOC) adapter
Drop Port, quantity	6
Enclosure Color	Black
Mounting	Handhole Pedestal
Port Type	Hardened multi-fiber (HMFOC) jack, male/pinned
Port, quantity	6
Splitter, quantity	0
Stub Type	Stub tail

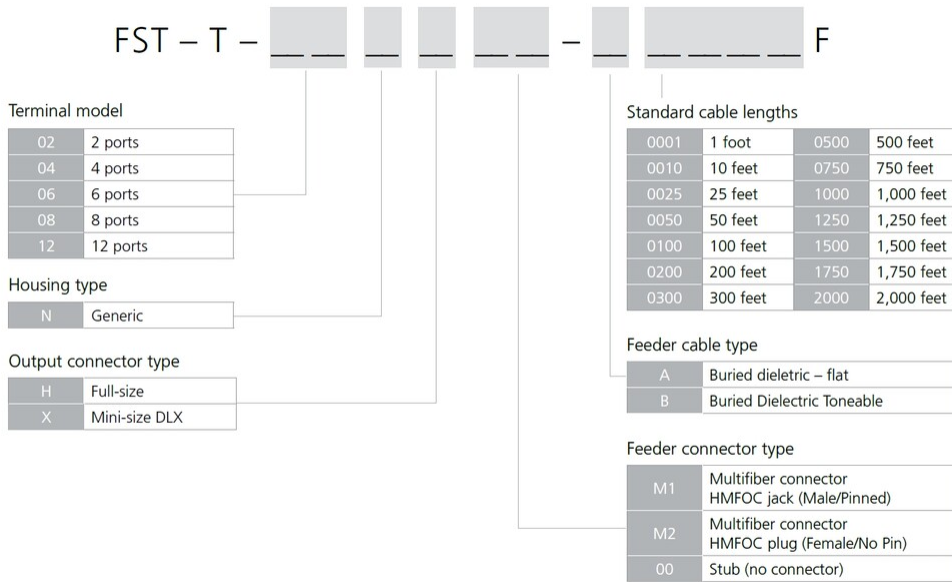
Dimensions

Height	112.5 mm 4.429 in
Width	53 mm 2.087 in
Depth	31 mm 1.22 in

760243083 | FST-T2-0610-A0500F

Cable Length, stub 500 ft (152 m)
Cable Outer Diameter 4.1 x 7.6 mm (0.16 x 0.30 in)

Ordering Tree



Material Specifications

Enclosure Material Type Engineered plastic

Optical Specifications

Fiber Type G.657.A1/A2
Operating Wavelength Range 1310 – 1550 nm
Attenuation Single Ports, maximum 0.65 dB
Return Loss, Connector, minimum 65 dB

Environmental Specifications

Operating Temperature -40 °C to +70 °C (-40 °F to +158 °F)
Relative Humidity 5%–100%, condensing
Environmental Space Above ground | Below ground | Buried
Qualification Standards IEC 61300, 1 m waterhead | Telcordia GR-3120-CORE | Telcordia GR-3152-CORE
UV Resistance UV stabilized

Packaging and Weights

Included	Mounting hardware
Packaging quantity	1
Packaging Type	Box Carton
Weight, without cable	0.23 kg 0.507 lb

Regulatory Compliance/Certifications

Agency	Classification
CHINA-ROHS	Below maximum concentration value
ISO 9001:2015	Designed, manufactured and/or distributed under this quality management system
REACH-SVHC	Compliant as per SVHC revision on www.commscope.com/ProductCompliance
ROHS	Compliant
UK-ROHS	Compliant

