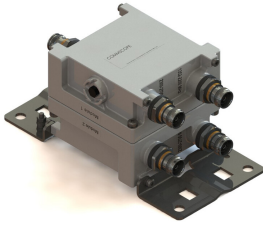


# E14F06P48



Twin Diplexer, 1350-2200 / 2300-2700 MHz, dc bypass all ports, 4.3-10 connectors

- Industry leading PIM performance
- New 4.3-10 connectors for improved PIM performance and size reduction
- Twin configuration
- Designed for network Modernization, introduction of LTE1800 on existing site
- Designed for network modernization application, introduction of LTE2300 and LTE2600 on existing site
- dc/AISG pass-through on all frequency ports

## Product Classification

**Product Type** Diplexer

## General Specifications

**Color** Gray

**Modularity** 2-Twin

**Mounting** Pole | Wall

**Mounting Pipe Hardware** Band clamps (2)

**RF Connector Interface** 4.3-10 Female

**RF Connector Interface Body Style** Long neck

## Dimensions

**Height** 102 mm | 4.016 in

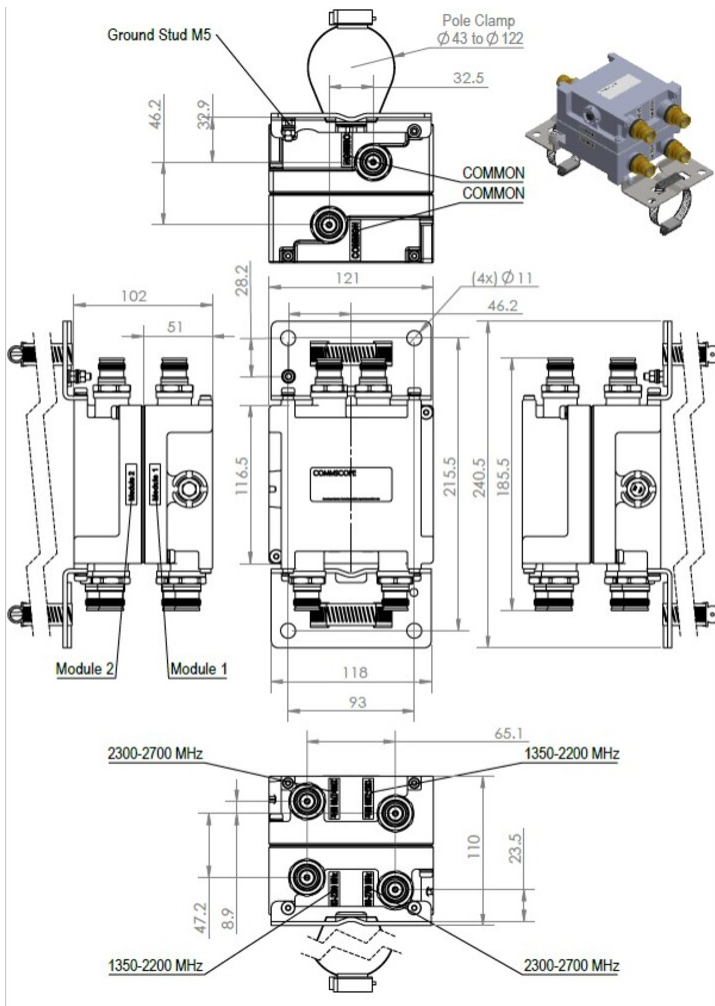
**Width** 121 mm | 4.764 in

**Depth** 117 mm | 4.606 in

**Mounting Pipe Diameter Range** 43–122 mm

## Outline Drawing

# E14F06P48



## Electrical Specifications

<b>Impedance</b>	50 ohm
<b>License Band, Band Pass</b>	AWS 1700   DCS 1800   IMT 2100   IMT 2600   PCS 1900   WCS 2300

## Electrical Specifications, dc Power/Alarm

<b>dc/AISG Pass-through Path</b>	Branch 1   Branch 2
<b>dc/AISG Pass-through, combiner</b>	Branch 1   Branch 2
<b>dc/AISG Pass-through, demultiplexer</b>	Branch 1   Branch 2
<b>Lightning Surge Current</b>	10 kA
<b>Lightning Surge Current Waveform</b>	8/20 waveform

## Electrical Specifications

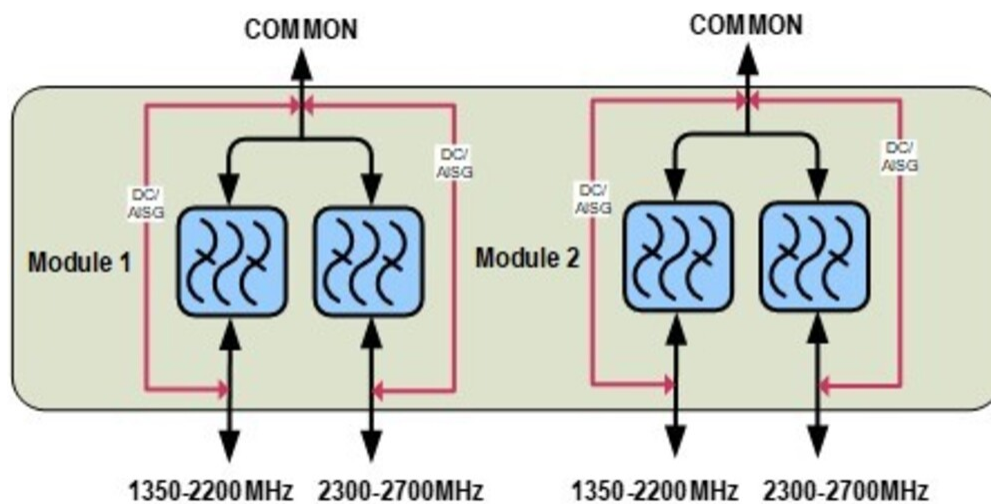
# E14F06P48

<b>Sub-module</b>	<b>1   2</b>	<b>1   2</b>
<b>Branch</b>	1	2
<b>Port Designation</b>	1350-2200	2300-2700
<b>License Band</b>	AWS 1700, Band Pass DCS 1800, Band Pass IMT 2100, Band Pass PCS 1900, Band Pass	IMT 2600, Band Pass WCS 2300, Band Pass

## Electrical Specifications, Band Pass

<b>Frequency Range, MHz</b>	<b>1350–2200</b>	<b>2300–2700</b>
<b>Insertion Loss, typical, dB</b>	0.2	0.2
<b>Return Loss, typical, dB</b>	20	20
<b>Isolation, typical, dB</b>	52	52
<b>Input Power, RMS, maximum, W</b>	300	300
<b>Input Power, PEP, maximum, W</b>	2000	2000
<b>3rd Order PIM, typical, dBc</b>	-162	-162
<b>3rd Order PIM Test Method</b>	Two +43 dBm carriers	Two +43 dBm carriers

## Block Diagram



## Environmental Specifications

<b>Operating Temperature</b>	-40 °C to +65 °C (-40 °F to +149 °F)
<b>Relative Humidity</b>	Up to 100%
<b>Corrosion Test Method</b>	IEC 60068-2-11, 30 days
<b>Environmental Test Method</b>	ETSI EN 300 019-1-4

# E14F06P48

---

**Ingress Protection Test Method** IEC 60529:2001, IP67

## Packaging and Weights

**Included** Mounting hardware

**Volume** 1.45 L

**Weight, with mounting hardware** 2.8 kg | 6.173 lb

**Weight, without mounting hardware** 2.4 kg | 5.291 lb