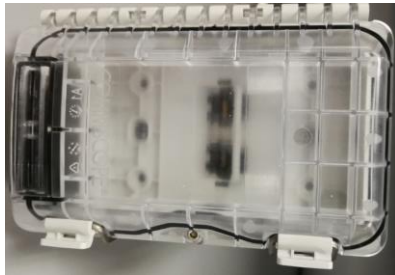


Installation Sheet for Outdoor Outlet Cover

1. Product Introduction

The outdoor outlet cover is a sealed surface mounted box intended for outdoor or indoor application where exposure to dust, liquids and other contaminants maybe expected. The outdoor cover can be mounted with M-series Jack or SL / SLX series Jack, KJ jack can be mounted with a SL adapter (jack is not included). The outdoor cover can be mounted on standard single gang electrical backbox (not included).



Ordering information is listed below:

Material ID	Description
760246284	OUT-OUT-FP
760253637	OUT-OUT-FP-G

2. Backbox installation steps

Since there are many ways to install the backbox such as out of the wall, inside the wall, on the pole and indoors etc., here is only one way for reference. For detailed installation instruction, please refer to the instructions with the backbox.

Note: If you want to achieve the IP67 sealing level, please strictly follow with the outdoor installation instructions when installing the backbox.

Recommended backbox:

Brand	Part Number		
Hubbell	PSB37550	5320	5385
Carlson	1H3-1	E381D-CAR	E381DW-CAR

2.1 Apply sealing compound evenly on the closure plugs to block unused holes.



2.2 Apply silicone sealant or sealing compound on the wall to fix the bushing.

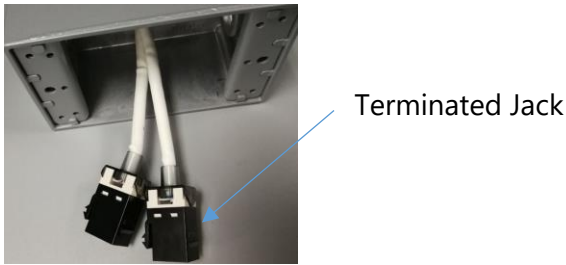


2.3 Fix the backbox on wall with a circle of silicone sealant.

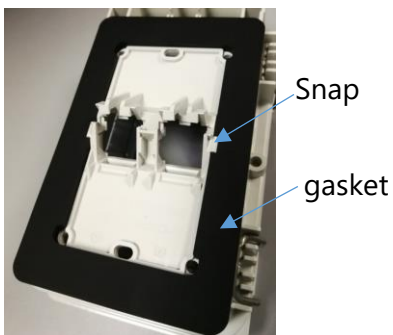


3. Outdoor cover installation steps

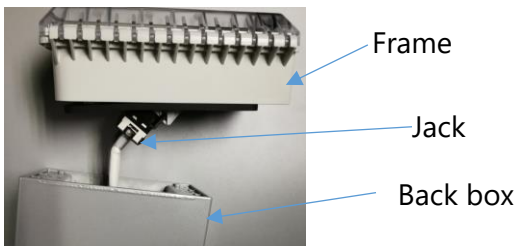
3.1 Follow the jack installation instructions to terminate Jack.



3.2 Ensure gasket is seated behind the frame snaps on each side as shown.



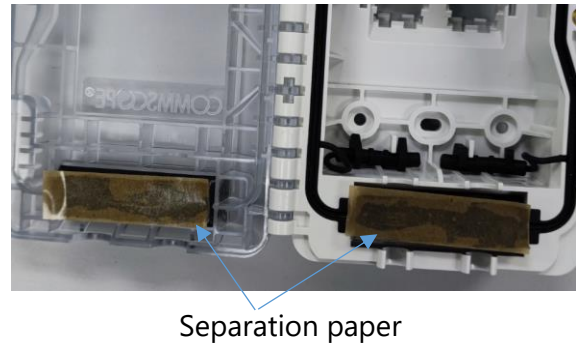
3.3 Install terminated Jack into frame, detail refer to (5. Modular Jack Installation steps.)



3.4 Take off the screws gripped on frame, open the cover. (Use fingers to unlock both clamps)



3.5 Remove separation paper.



3.6 Fix frame on the backbox with screws. (mating fastener torque should not be greater than 4kgf.cm)



3.7 Plug in the patch cord.

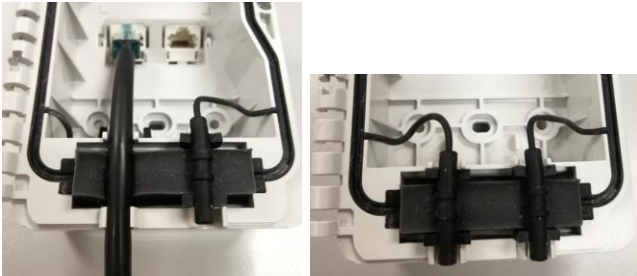


3.8 Close the cover, lock the clamp, secure the safety screws as needed. (mating fastener torque should not be greater than 1kgf.cm)



4. Remove or replace patch cord

4.1 If a cord is removed or port(s) are unused, insert plug to ensure IP67 protection as shown.

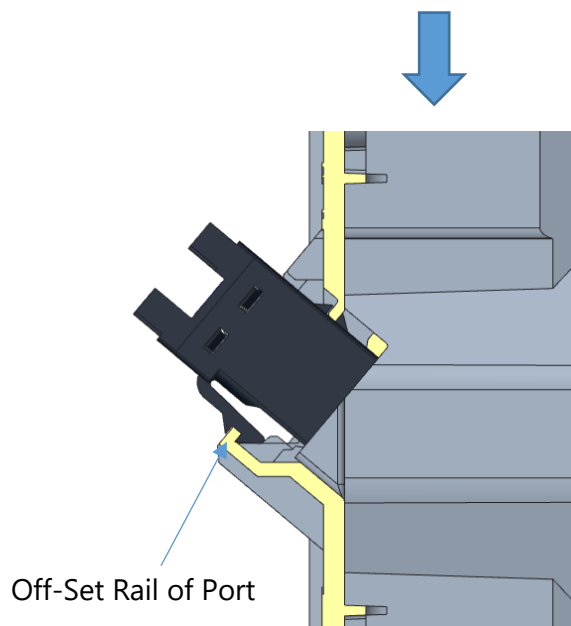
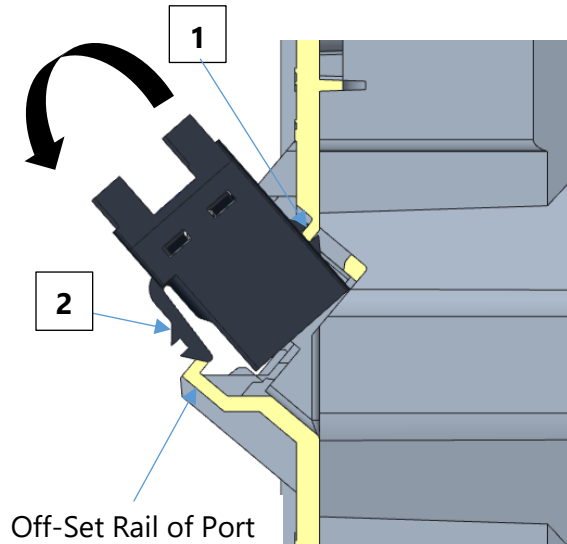
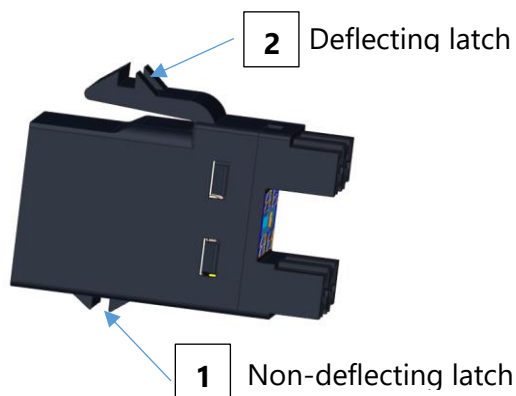


5. Modular Jack Installation steps.

5.1 SL / SLX series modular jack install

Step 1: insert the modular jack by aligning the slotted side first, seating Non-deflecting Latch [1] on bottom side.

Step 2: pivot the modular jack or insert forward until the Deflecting Latch [2] engages the off-set rail of the port and snaps into place. Refer to Figure as below.



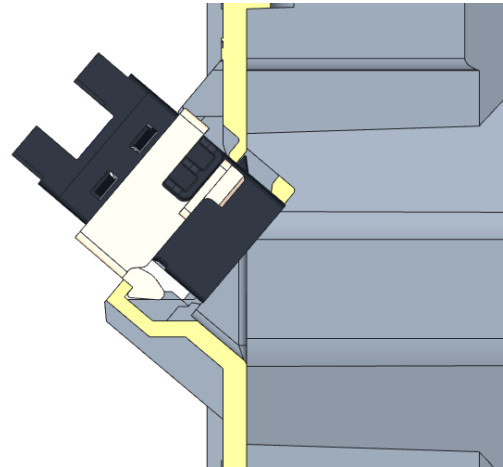
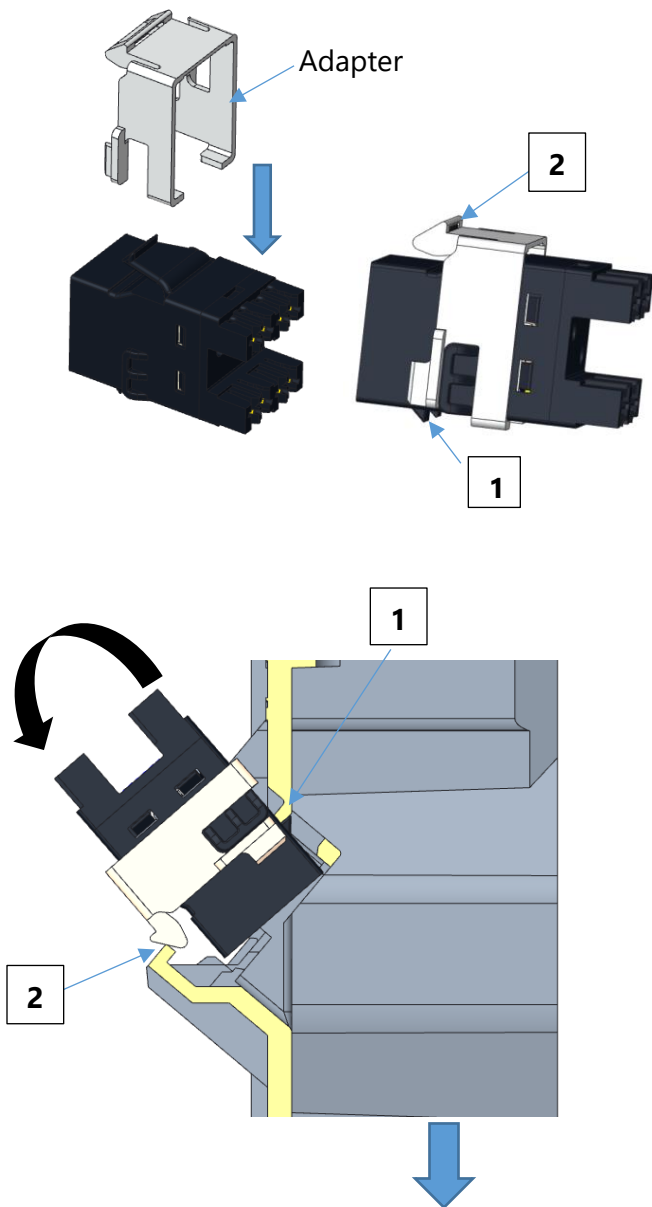
5.2 KJ series modular Jack install.

Step1, install the adapter according to the assembly direction shown in the figure as

below. Adapter should be ordered separately. MID (760248426)

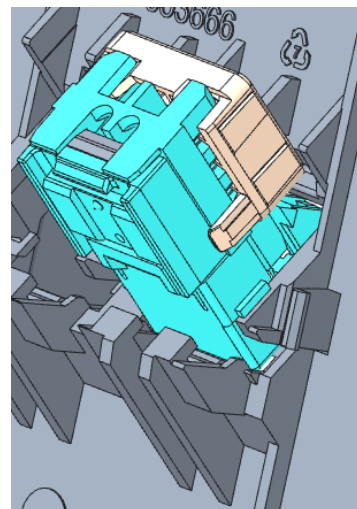
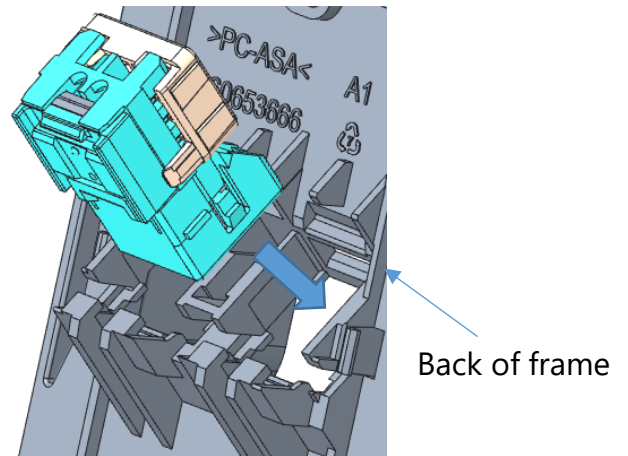
Step 2: insert the modular jack by aligning the slotted side first, seating Non-deflecting Latch [1] on bottom side.

Step 3: pivot the modular jack or insert forward until the Deflecting Latch [2] engages the off-set rail of the port and snaps into place. Refer to Figure as below.



5.3M series modular jack install,

- Install the modular jack according to the assembly direction shown in the figure as below.

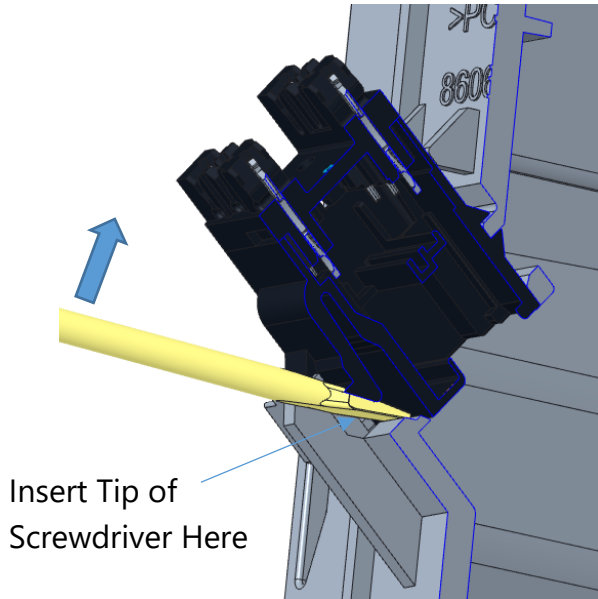


6 Remove modular jack from the Universal Ports.

6.1 Remove SL and KJ series modular jack, refer to Figure as below.

Step1, Insert the tip of a small flat screwdriver over the opening of the frame. Refer to Figure as below.

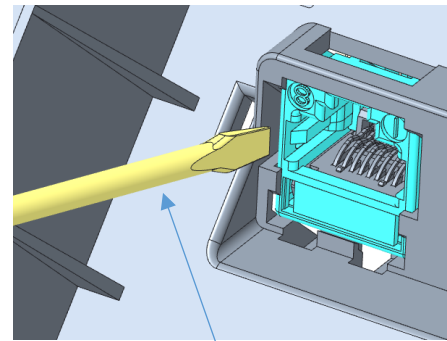
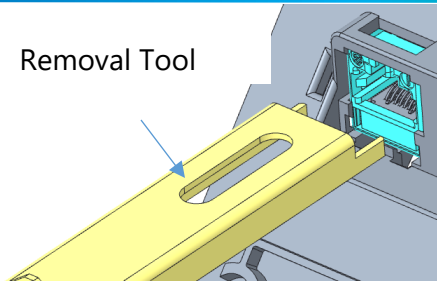
Step2, Press the screwdriver in the direction of the arrow in the figure below.



6.2 Remove M series modular Jack.

Step1, insert the Outlet Removal Tool (760122713) or screwdriver over the latch of the modular jack.

Step2, pull the modular jack out of the back of the port.



Screwdriver

7. If using a screwdriver to lock and unlock the clamps. Please pay attention to the right operation method.

Open, hold the screwdriver and turn it towards the outside of the box.

Close, turn it to vertical position, like the green vertical position below.

