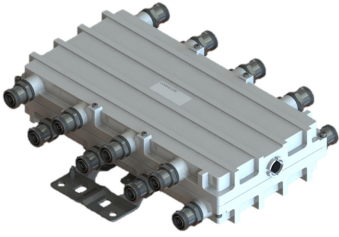


# E14V00P49

---



8pck IMF for 2500 MHz TDD with 38dB rejection in 2500-2570&2620-2690 MHz

- dc/AISG blocking on all ports

## Product Classification

**Product Type** Interference mitigation filter

## General Specifications

**Color** Gray

**Modularity** 8-Octa

**Mounting** Pole | Wall

**Mounting Pipe Hardware** Band clamps (2)

**RF Connector Interface** 7-16 DIN Female

**RF Connector Interface Body Style** Long neck

## Dimensions

**Height** 78 mm | 3.071 in

**Width** 402 mm | 15.827 in

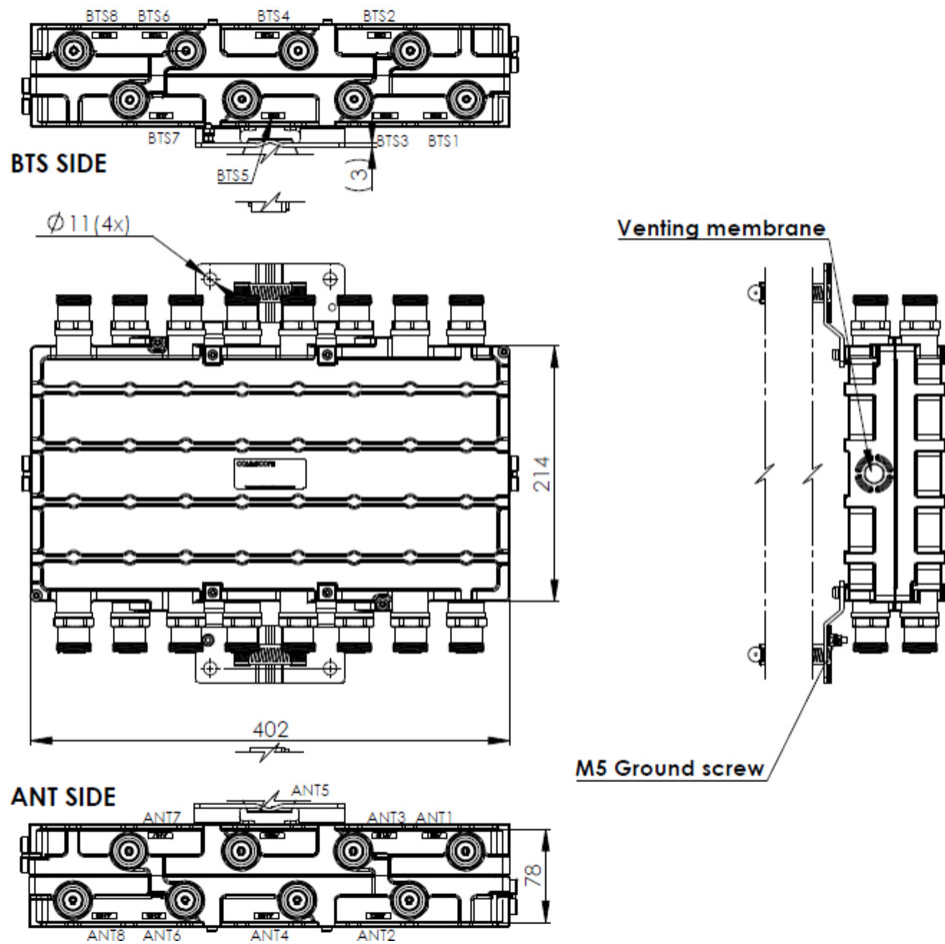
**Depth** 214 mm | 8.425 in

**Ground Screw Diameter** 5 mm | 0.197 in

**Mounting Pipe Diameter Range** 43–122 mm

## Outline Drawing

# E14V00P49



## Electrical Specifications

**Impedance** 50 ohm

## Electrical Specifications, dc Power/Alarm

**Lightning Surge Current** 5 kA

**Lightning Surge Current Waveform** 8/20 waveform

## Electrical Specifications

**Sub-module** 1 | 2 | 3 | 4 | 5 | 6 | 7 | 8

**Branch** 1

**License Band** IMT 2600, Band Pass

## Electrical Specifications, Band Pass

**Frequency Range, MHz** 2575–2615

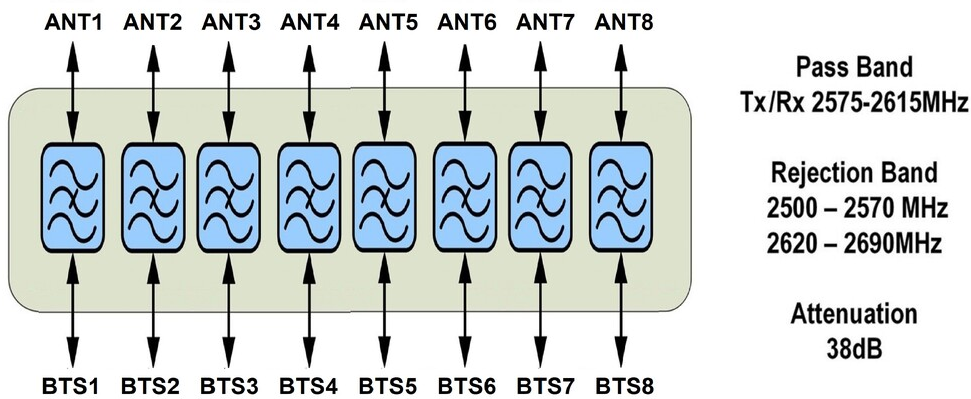
# E14V00P49

<b>Insertion Loss, maximum, dB</b>	1.3
<b>Insertion Loss, typical, dB</b>	0.5
<b>Total Group Delay, maximum, ns</b>	110
<b>Return Loss, minimum, dB</b>	18
<b>Return Loss, typical, dB</b>	20
<b>Input Power, RMS, maximum, W</b>	250
<b>Input Power, PEP, maximum, W</b>	1000
<b>3rd Order PIM, maximum, dBc</b>	-140
<b>3rd Order PIM Test Method</b>	Two +43 dBm carriers

## Electrical Specifications, Band Reject

<b>Frequency Range, MHz</b>	2500–2570 2620–2690
<b>Attenuation, minimum, dB</b>	38

## Block Diagram



## Environmental Specifications

<b>Operating Temperature</b>	-40 °C to +55 °C (-40 °F to +131 °F)
<b>Relative Humidity</b>	Up to 100%
<b>Ingress Protection Test Method</b>	IEC 60529:2001, IP67
<b>Mean Time Between Failures, minimum</b>	1000000 h

## Packaging and Weights

# E14V00P49

---

<b>Included</b>	Mounting hardware
<b>Weight, without mounting hardware</b>	10.4 kg   22.928 lb