

# NG4-CMDKOM2

---



## NG4access® Cabled Module, singlemode LC/UPC to stub, 24 fiber, microcable

- Cabled modules enable the routing of fiber cable to the frame, where multiple connectors are terminated to the frame with a single click
- Integrated connectors ensure the cables are kept in sequential order, and help prevent accidental fiber breakage or disruption to adjacent fibers during installation
- Available in a pigtail version for splicing on frame or preterminated to 24-fiber microcable or conventional IFC cable

## Product Classification

<b>Regional Availability</b>	Latin America   North America
<b>Portfolio</b>	CommScope®
<b>Product Type</b>	Fiber cabled module
<b>Product Brand</b>	NG4access®
<b>Product Series</b>	NG4
<b>Ordering Note</b>	For fiber modules with custom cable lengths, please contact your local CommScope representative

## General Specifications

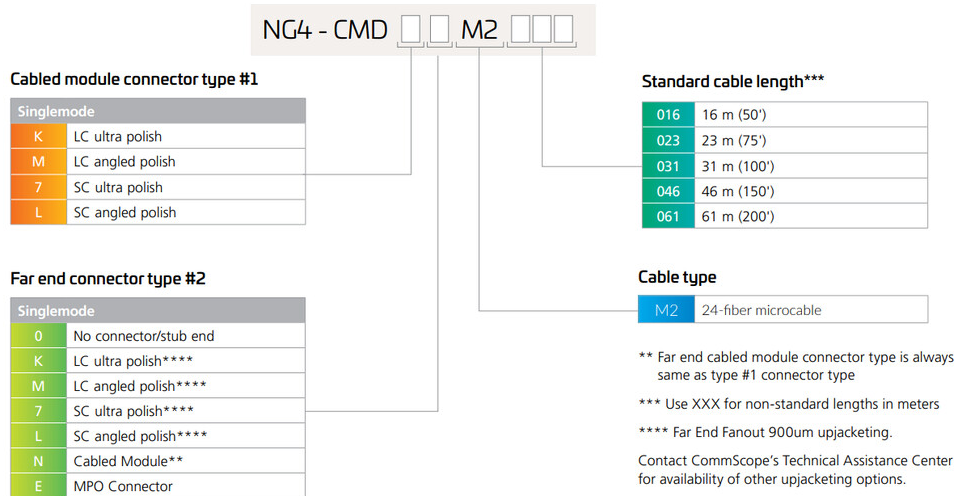
<b>Configuration Type</b>	NG4 Module to Stub tail
<b>Adapters, quantity, front</b>	12
<b>Adapters, quantity, rear</b>	1
<b>Body Style</b>	Straight orientation
<b>Cable Color</b>	Ivory
<b>Cable Type</b>	Microcable
<b>Color, front</b>	Black
<b>Color, housing</b>	Black
<b>Color, rear</b>	Black
<b>Interface, front</b>	LC/UPC
<b>Interface, rear</b>	Stub tail
<b>Polarity</b>	Pairs, straight
<b>Total Fibers, quantity</b>	24
<b>Total Ports, quantity, front</b>	24

# NG4-CMDKOM2

## Dimensions

<b>Height</b>	13.3 mm   0.524 in
<b>Width</b>	159.9 mm   6.295 in
<b>Depth</b>	101 mm   3.976 in

## Ordering Tree



## Optical Specifications

<b>Fiber Mode</b>	Singlemode
<b>Fiber Type</b>	G.657.A2

## Environmental Specifications

<b>Operating Temperature</b>	-5 °C to +40 °C (+23 °F to +104 °F)
<b>Storage Temperature</b>	-40 °C to +70 °C (-40 °F to +158 °F)
<b>Relative Humidity</b>	Up to 85%, non-condensing

## Packaging and Weights

<b>Packaging quantity</b>	1
---------------------------	---

## Regulatory Compliance/Certifications

<b>Agency</b>	<b>Classification</b>
CHINA-ROHS	Above maximum concentration value

# NG4-CMDKOM2

---

REACH-SVHC

Compliant as per SVHC revision on [www.commscope.com/ProductCompliance](http://www.commscope.com/ProductCompliance)

ROHS

Compliant/Exempted

