

NG4-CMDK7M2



NG4access® Cabled Module, singlemode LC/UPC to SC/UPC, 24 fiber, microcable

- Cabled modules enable the routing of fiber cable to the frame, where multiple connectors are terminated to the frame with a single click
- Integrated connectors ensure the cables are kept in sequential order, and help prevent accidental fiber breakage or disruption to adjacent fibers during installation
- Available in a pigtail version for splicing on frame or preterminated to 24-fiber microcable or conventional IFC cable

Product Classification

Regional Availability	Latin America North America
Portfolio	CommScope®
Product Type	Fiber cabled module
Product Brand	NG4access®
Product Series	NG4
Ordering Note	For fiber modules with custom cable lengths, please contact your local CommScope representative

General Specifications

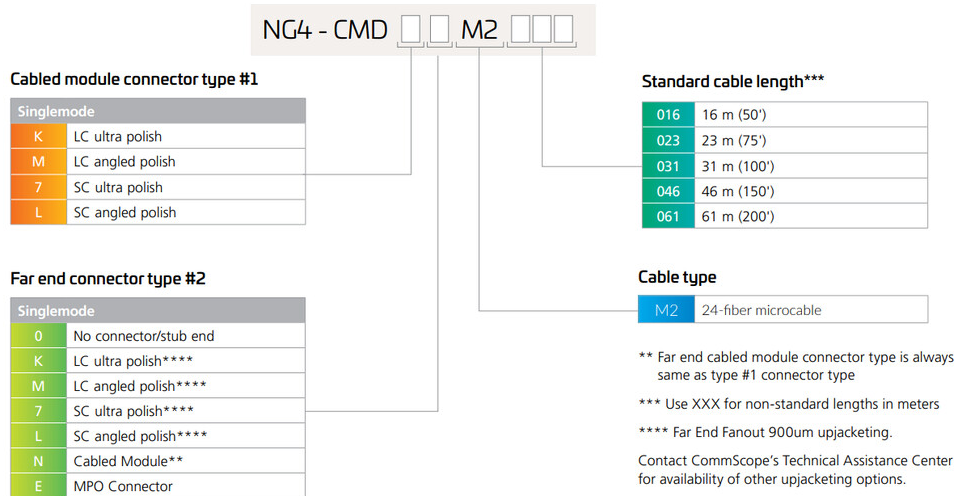
Configuration Type	NG4 Module to Connector
Adapters, quantity, front	12
Adapters, quantity, rear	1
Body Style	Straight orientation
Cable Color	Ivory
Cable Type	Microcable
Color, front	Black
Color, housing	Black
Color, rear	Black
Interface, front	LC/UPC
Interface, rear	SC/UPC
Polarity	Pairs, straight
Total Fibers, quantity	24
Total Ports, quantity, front	24

NG4-CMDK7M2

Dimensions

Height	13.3 mm 0.524 in
Width	159.9 mm 6.295 in
Depth	101 mm 3.976 in

Ordering Tree



Optical Specifications

Fiber Mode	Singlemode
Fiber Type	G.657.A2

Environmental Specifications

Operating Temperature	-5 °C to +40 °C (+23 °F to +104 °F)
Storage Temperature	-40 °C to +70 °C (-40 °F to +158 °F)
Relative Humidity	Up to 85%, non-condensing

Packaging and Weights

Packaging quantity	1
---------------------------	---

Regulatory Compliance/Certifications

Agency	Classification
CHINA-ROHS	Above maximum concentration value

NG4-CMDK7M2

REACH-SVHC

Compliant as per SVHC revision on www.commscope.com/ProductCompliance

ROHS

Compliant/Exempted

