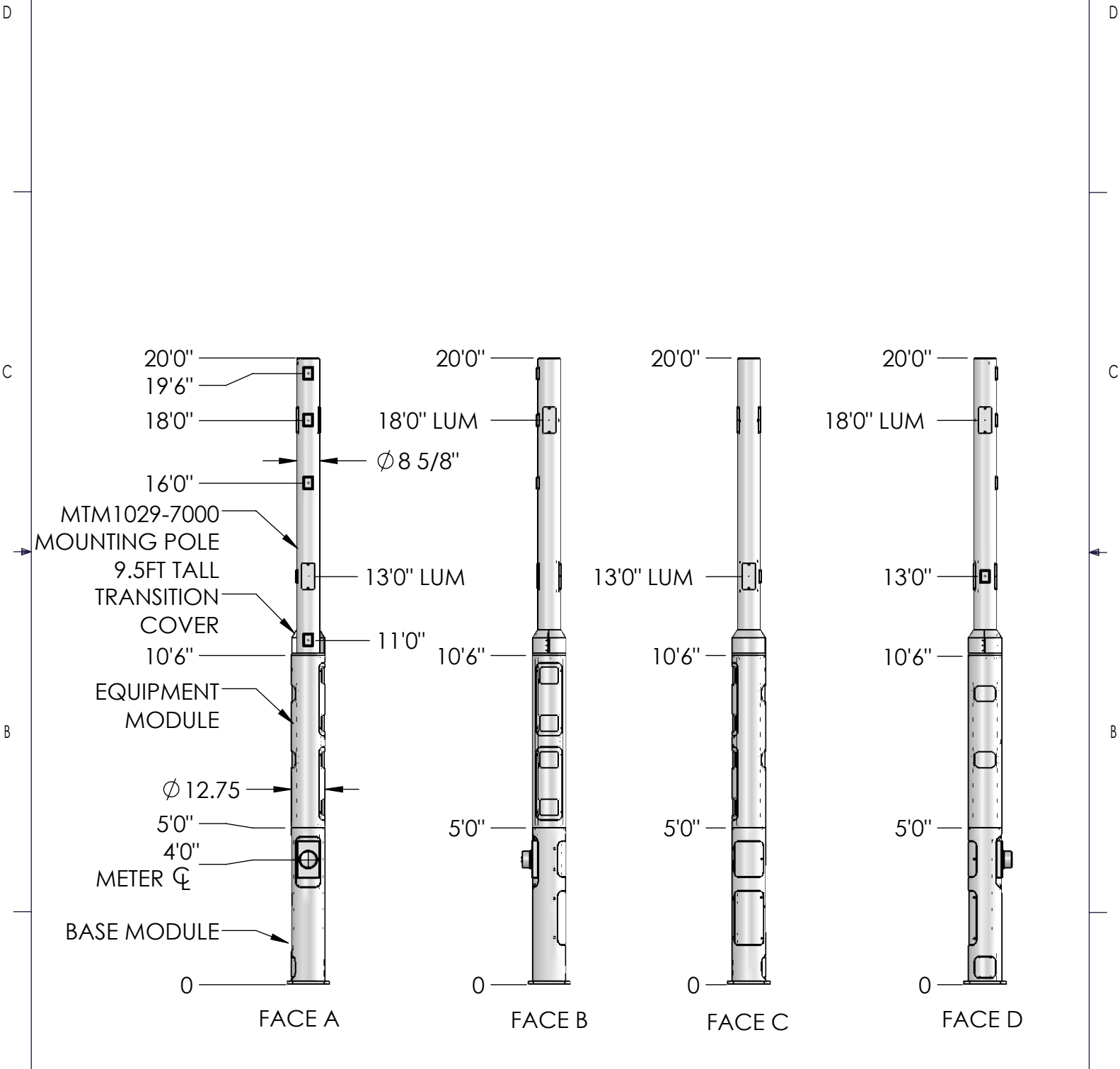
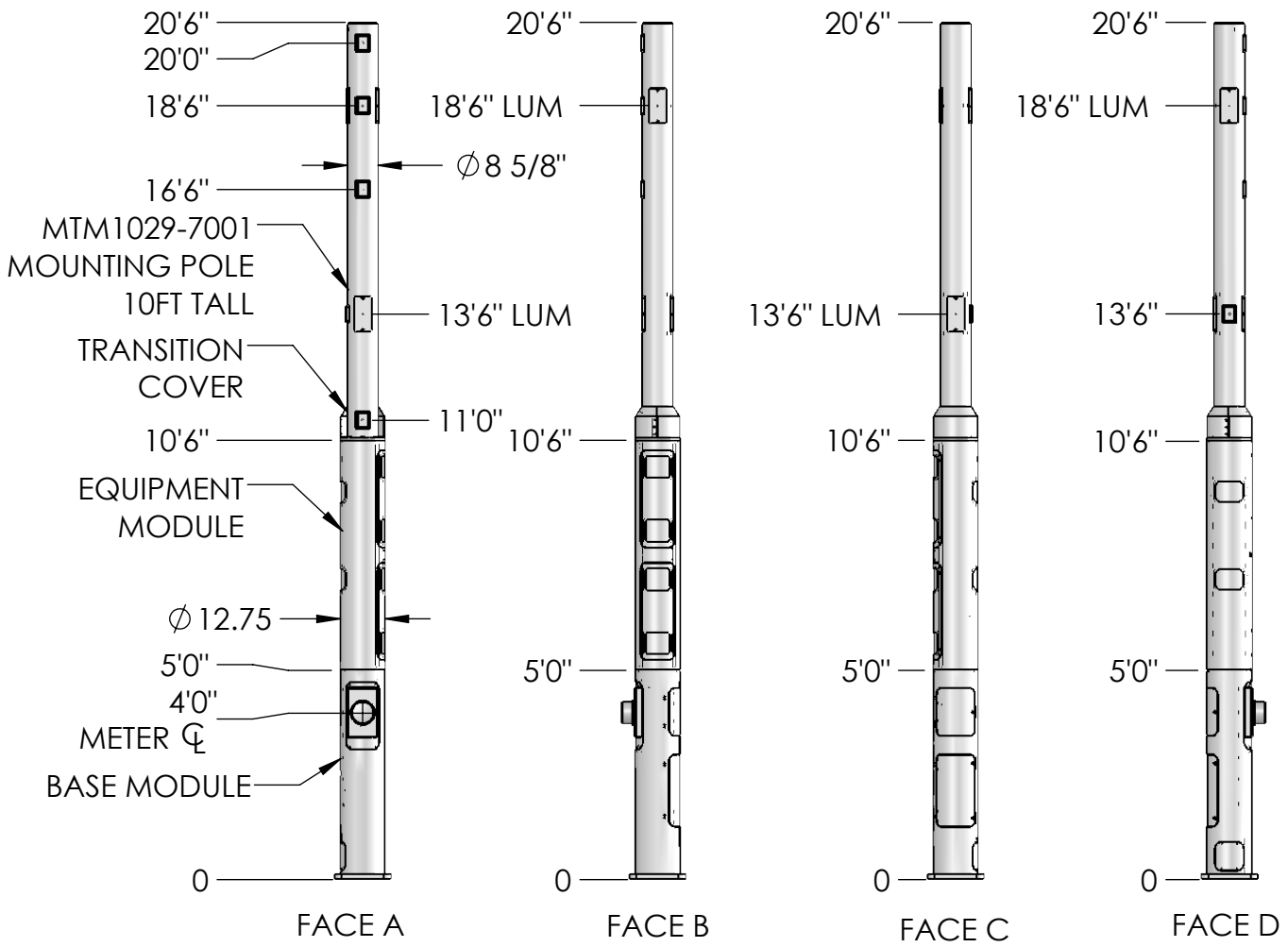


REVISIONS			
REV.	DESCRIPTION	BY	DATE
A	PRELIMINARY RELEASE	MJP	03/01/2021



<p>These drawings and specifications are the proprietary property of Commscope Inc. and may be used only for the specific purpose authorized in writing by Commscope Inc.</p> <p>ALL DIMENSIONS ARE IN INCHES U.O.S. TOLERANCES UNLESS OTHERWISE SPECIFIED:</p> <p>.X = ± .12 ANGLES ±2°          .XX = ± .06 FRACTIONS ±1/32          .XXX = ± .031</p> <p>REMOVE BURRS AND BREAK EDGES .005</p> <p>DO NOT SCALE THIS PRINT</p>	DRAWN BY: MJP	SHEET: 1 of 1	PART NUMBER: SSC760239237xx20xx
	CHECKED BY:	SCALE:	DESCRIPTION: METRO CELL, 12 IN POLE BASE SOLUTION
	DATE:	MATERIAL:	DRAWING TYPE:
	REVISION: A	FINISH:	
	WEIGHT:		

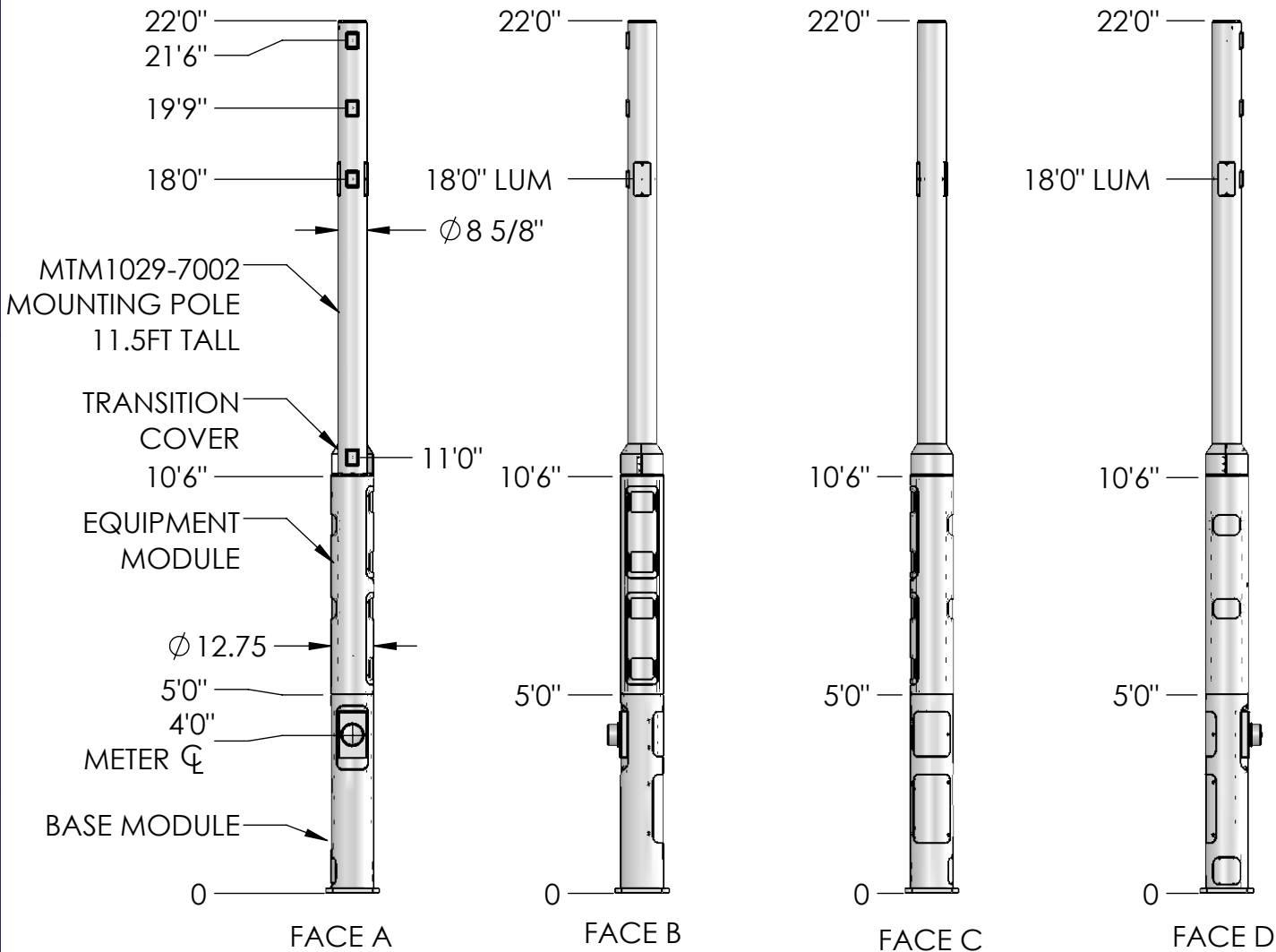
REVISIONS			
REV.	DESCRIPTION	BY	DATE
A	PRELIMINARY RELEASE	MJP	03/01/2021



<p>These drawings and specifications are the proprietary property of CommScope Inc. and may be used only for the specific purpose authorized in writing by CommScope Inc.</p> <p>ALL DIMENSIONS ARE IN INCHES U.O.S. TOLERANCES UNLESS OTHERWISE SPECIFIED:</p> <p>.X = ± .12      ANGLES      ±2°          .XX = ± .06      FRACTIONS      ±1/32          .XXX = ± .031</p> <p>REMOVE BURRS AND BREAK EDGES .005</p> <p>DO NOT SCALE THIS PRINT</p>	DRAWN BY: MJP	SHEET: 1 of 1	PART NUMBER: SSC760239237xx21xx
	CHECKED BY:	SCALE:	DESCRIPTION: METRO CELL, 12 IN POLE BASE SOLUTION
	DATE:	MATERIAL:	DRAWING TYPE:
	REVISION: A	FINISH:	WEIGHT:

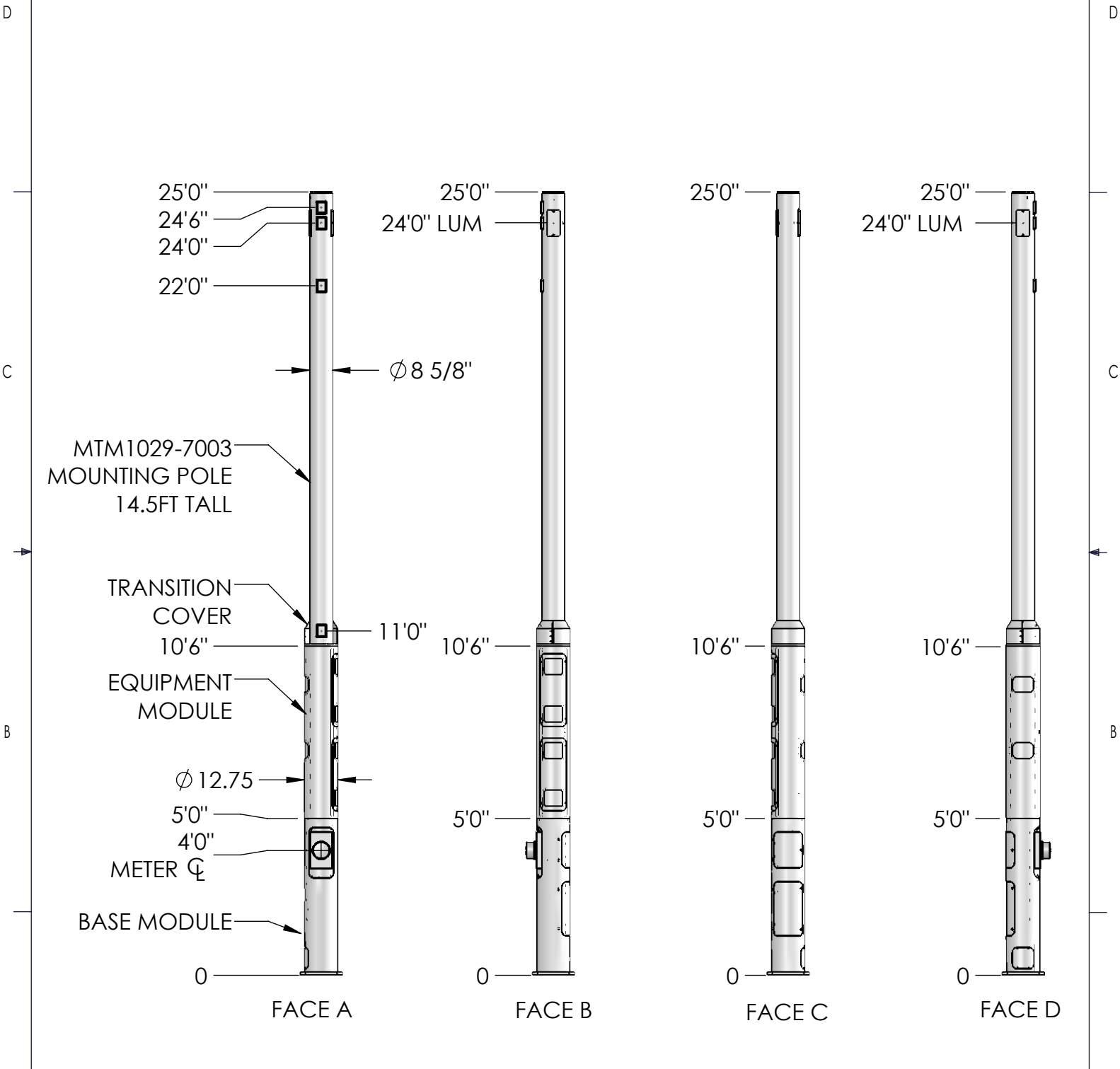


REVISIONS			
REV.	DESCRIPTION	BY	DATE
A	PRELIMINARY RELEASE	MJP	03/01/2021



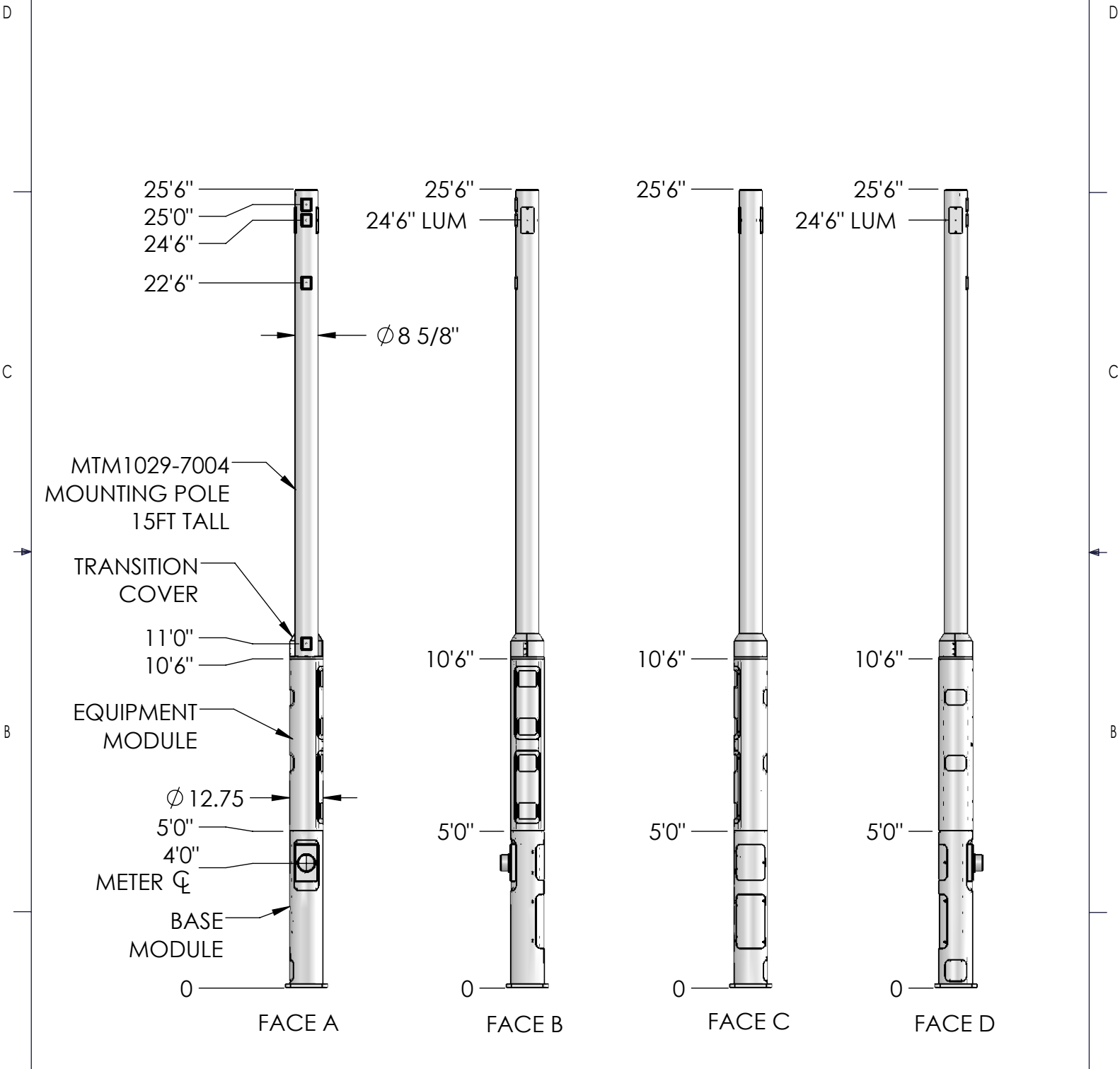
<p>These drawings and specifications are the proprietary property of CommScope Inc. and may be used only for the specific purpose authorized in writing by CommScope Inc.</p> <p>ALL DIMENSIONS ARE IN INCHES U.O.S. TOLERANCES UNLESS OTHERWISE SPECIFIED:</p> <p>.X = ± .12 ANGLES ±2° .XX = ± .06 FRACTIONS ±1/32 .XXX = ± .031</p> <p>REMOVE BURRS AND BREAK EDGES .005</p> <p>DO NOT SCALE THIS PRINT</p>	DRAWN BY: MJP	SHEET: 1 of 1	PART NUMBER: SSC760239237xx22xx
	CHECKED BY:	SCALE:	DESCRIPTION: METRO CELL, 12 IN POLE BASE SOLUTION
	DATE:	MATERIAL:	DRAWING TYPE:
	REVISION: A	FINISH:	
	WEIGHT:		

REVISIONS			
REV.	DESCRIPTION	BY	DATE
A	PRELIMINARY RELEASE	MJP	03/01/2021



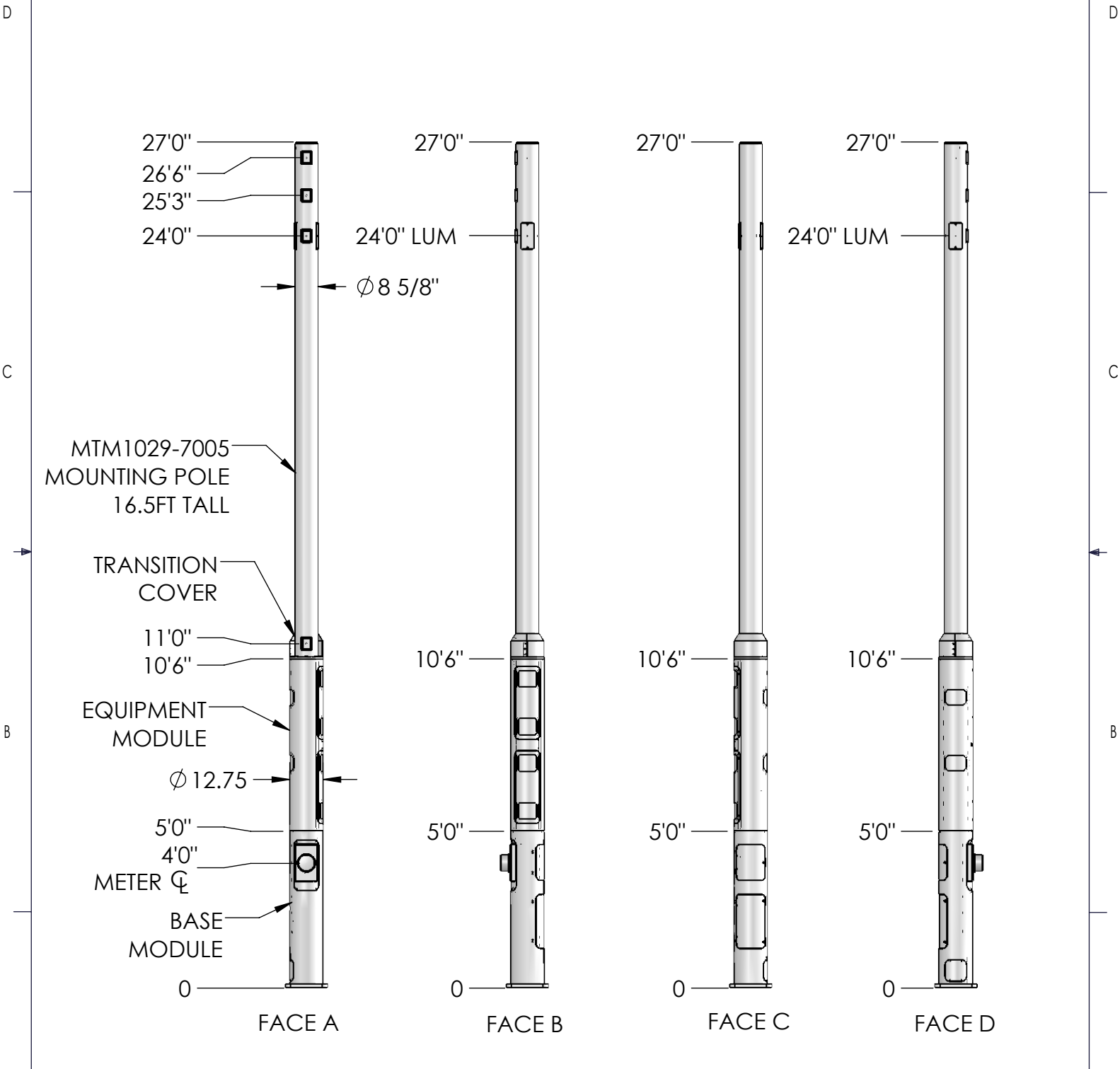
<p>These drawings and specifications are the proprietary property of CommScope Inc. and may be used only for the specific purpose authorized in writing by CommScope Inc.</p> <p>ALL DIMENSIONS ARE IN INCHES U.O.S. TOLERANCES UNLESS OTHERWISE SPECIFIED:</p> <p>.X = ± .12 ANGLES ±2° .XX = ± .06 FRACTIONS ±1/32 .XXX = ± .031</p> <p>REMOVE BURRS AND BREAK EDGES .005</p> <p>DO NOT SCALE THIS PRINT</p>	DRAWN BY: MJP	SHEET: 1 of 1	PART NUMBER: SSC760239237xx25xx
	CHECKED BY:	SCALE:	DESCRIPTION: METRO CELL, 12 IN POLE BASE SOLUTION
	DATE:	MATERIAL:	DRAWING TYPE:
	REVISION: A	FINISH:	WEIGHT:

REVISIONS			
REV.	DESCRIPTION	BY	DATE
A	PRELIMINARY RELEASE	MJP	03/01/2021



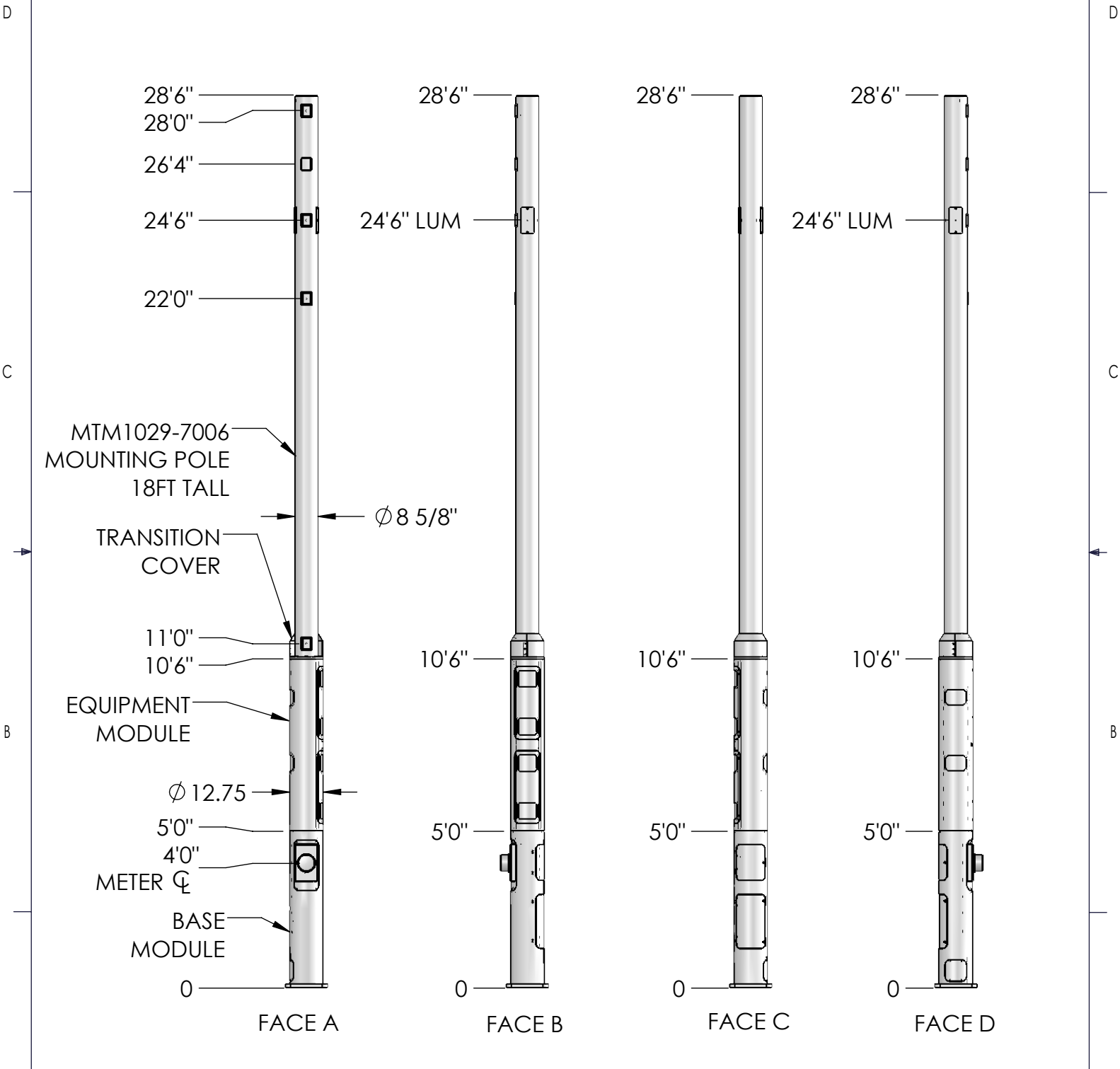
<p>These drawings and specifications are the proprietary property of CommScope Inc. and may be used only for the specific purpose authorized in writing by CommScope Inc.</p> <p>ALL DIMENSIONS ARE IN INCHES U.O.S. TOLERANCES UNLESS OTHERWISE SPECIFIED:</p> <p>.X = ± .12 ANGLES ±2°          .XX = ± .06 FRACTIONS ±1/32          .XXX = ± .031</p> <p>REMOVE BURRS AND BREAK EDGES .005</p> <p>DO NOT SCALE THIS PRINT</p>	DRAWN BY: MJP	SHEET: 1 of 1	PART NUMBER: SSC760239237xx26xx
	CHECKED BY:	SCALE:	DESCRIPTION: METRO CELL, 12 IN POLE BASE SOLUTION
	DATE:	MATERIAL:	DRAWING TYPE:
	REVISION: A	FINISH: WEIGHT:	

REVISIONS			
REV.	DESCRIPTION	BY	DATE
A	PRELIMINARY RELEASE	MJP	03/01/2021



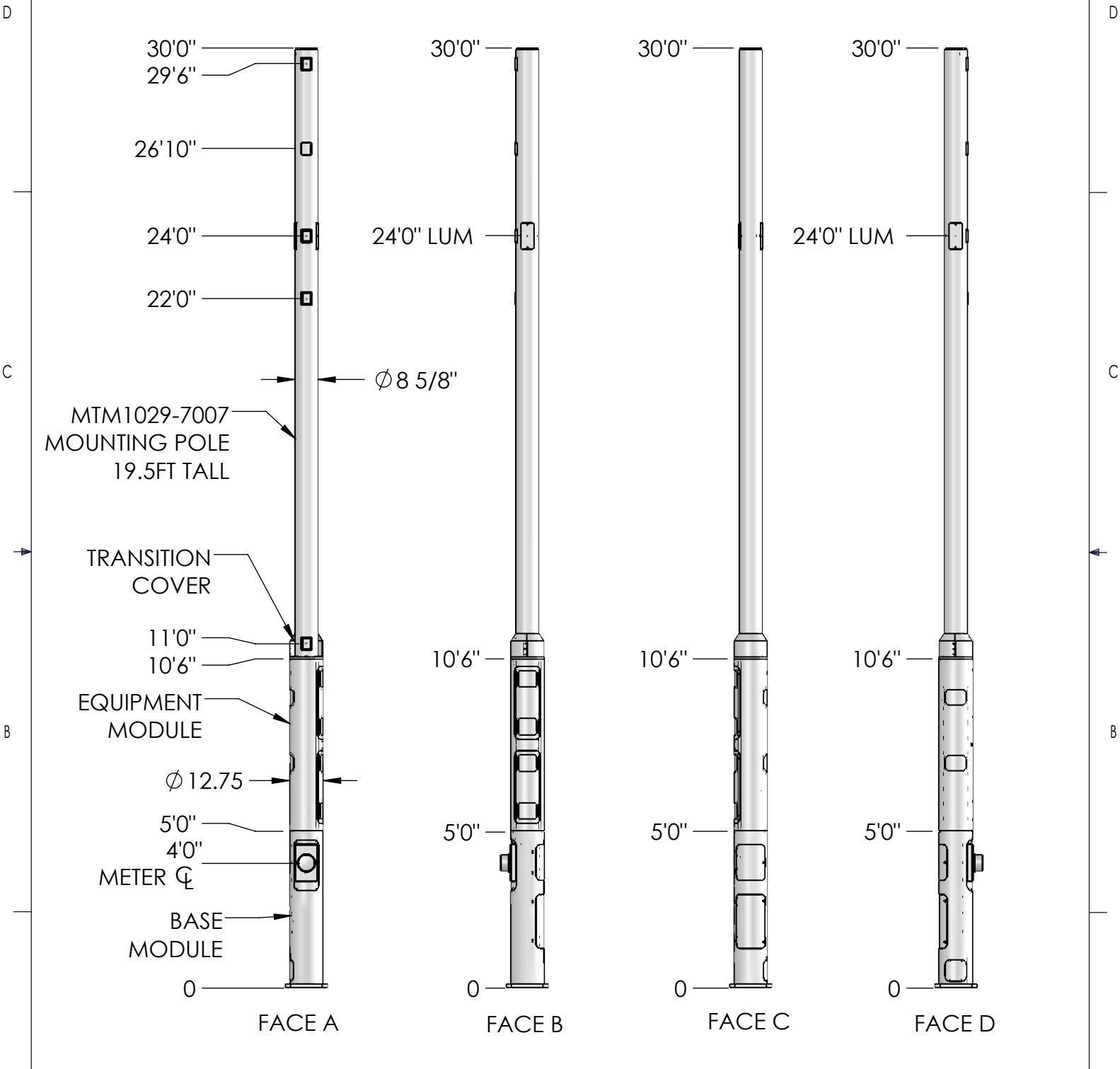
<p>These drawings and specifications are the proprietary property of CommScope Inc. and may be used only for the specific purpose authorized in writing by CommScope Inc.</p> <p>ALL DIMENSIONS ARE IN INCHES U.O.S. TOLERANCES UNLESS OTHERWISE SPECIFIED:</p> <p>.X = ± .12 ANGLES ±2° .XX = ± .06 FRACTIONS ±1/32 .XXX = ± .031</p> <p>REMOVE BURRS AND BREAK EDGES .005</p> <p>DO NOT SCALE THIS PRINT</p>	DRAWN BY: MJP	SHEET: 1 of 1	PART NUMBER: SSC760239237xx27xx
	CHECKED BY:	SCALE:	DESCRIPTION: METRO CELL, 12 IN POLE BASE SOLUTION
	DATE:	MATERIAL:	DRAWING TYPE:
	REVISION: A	FINISH:	WEIGHT:

REVISIONS			
REV.	DESCRIPTION	BY	DATE
A	PRELIMINARY RELEASE	MJP	03/01/2021



<p>These drawings and specifications are the proprietary property of CommScope Inc. and may be used only for the specific purpose authorized in writing by CommScope Inc.</p> <p>ALL DIMENSIONS ARE IN INCHES U.O.S. TOLERANCES UNLESS OTHERWISE SPECIFIED:</p> <p>.X = ± .12 ANGLES ±2° .XX = ± .06 FRACTIONS ±1/32 .XXX = ± .031</p> <p>REMOVE BURRS AND BREAK EDGES .005</p> <p>DO NOT SCALE THIS PRINT</p>	<p>DRAWN BY: MJP</p>	<p>SHEET: 1 of 1</p>	<p>PART NUMBER: SSC760239237xx29xx</p>
	<p>CHECKED BY:</p>	<p>SCALE:</p>	<p>DESCRIPTION: METRO CELL, 12 IN POLE BASE SOLUTION</p>
	<p>DATE:</p>	<p>MATERIAL:</p>	<p>DRAWING TYPE:</p>
	<p>REVISION: A</p>	<p>FINISH:</p>	<p>WEIGHT:</p>

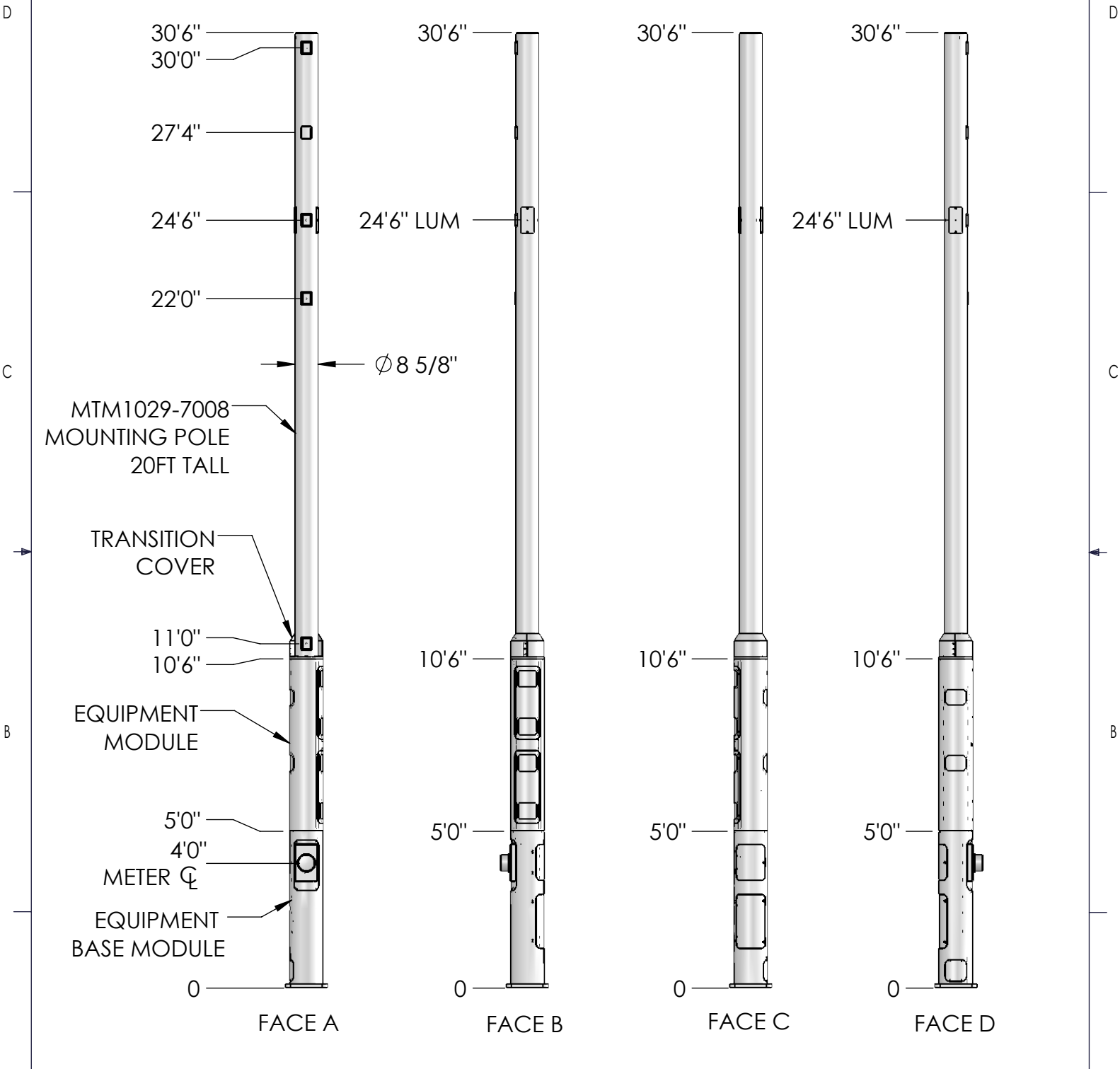
REVISIONS			
REV.	DESCRIPTION	BY	DATE
A	PRELIMINARY RELEASE	MJP	03/01/2021



<p>These drawings and specifications are the proprietary property of CommScope Inc. and may be used only for the specific purpose authorized in writing by CommScope Inc.</p> <p>ALL DIMENSIONS ARE IN INCHES U.O.S. TOLERANCES UNLESS OTHERWISE SPECIFIED:</p> <p>.X = ± .12 ANGLES ±2°          .XX = ± .06 FRACTIONS ±1/32          .XXX = ± .031</p> <p>REMOVE BURRS AND BREAK EDGES .005</p> <p>DO NOT SCALE THIS PRINT</p>	DRAWN BY: MJP	SHEET: 1 of 1	PART NUMBER: SSC760239237xx30xx
	CHECKED BY:	SCALE:	DESCRIPTION: METRO CELL, 12 IN POLE BASE SOLUTION
	DATE:	MATERIAL:	DRAWING TYPE:
	REVISION: A	FINISH:	WEIGHT:

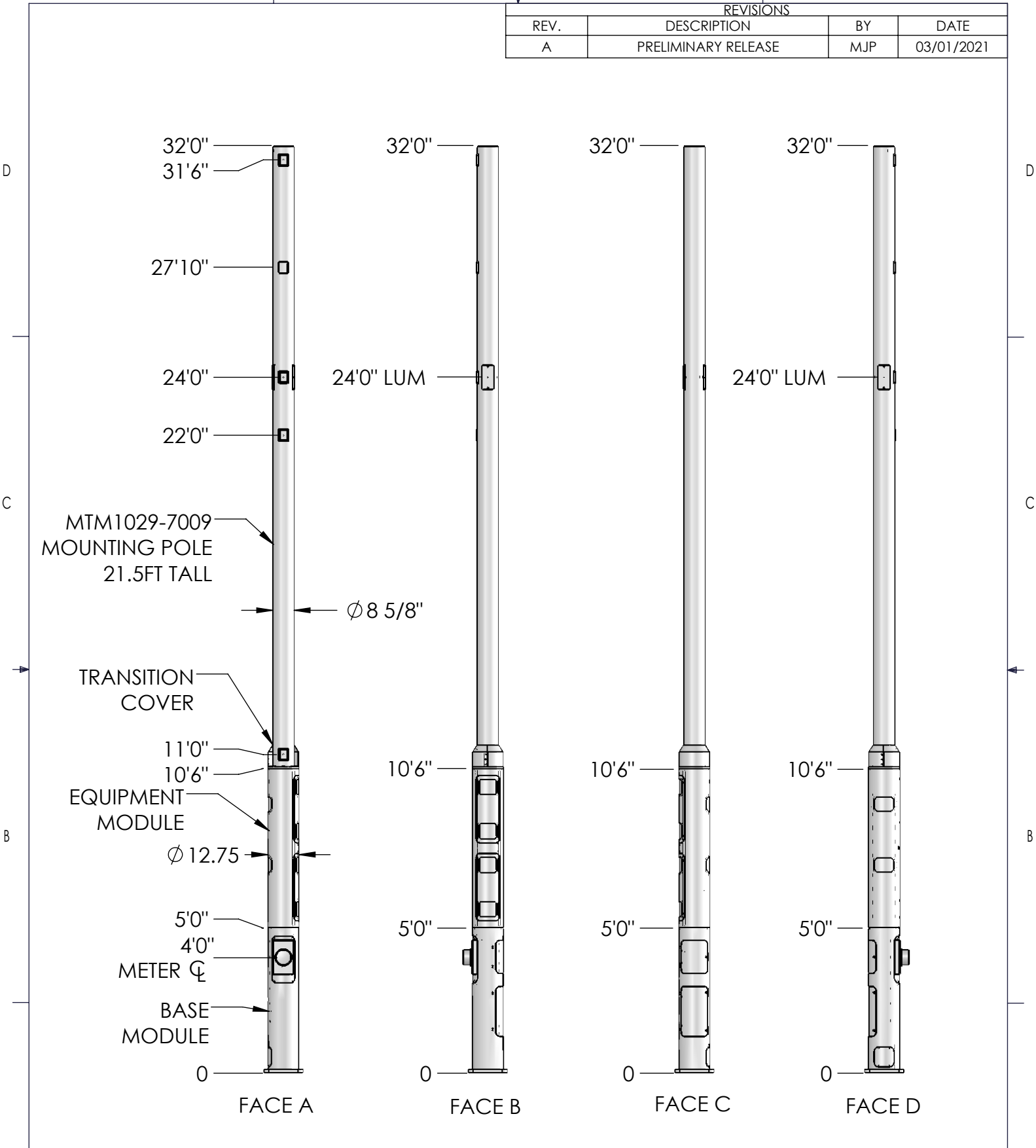


REVISIONS			
REV.	DESCRIPTION	BY	DATE
A	PRELIMINARY RELEASE	MJP	03/01/2021



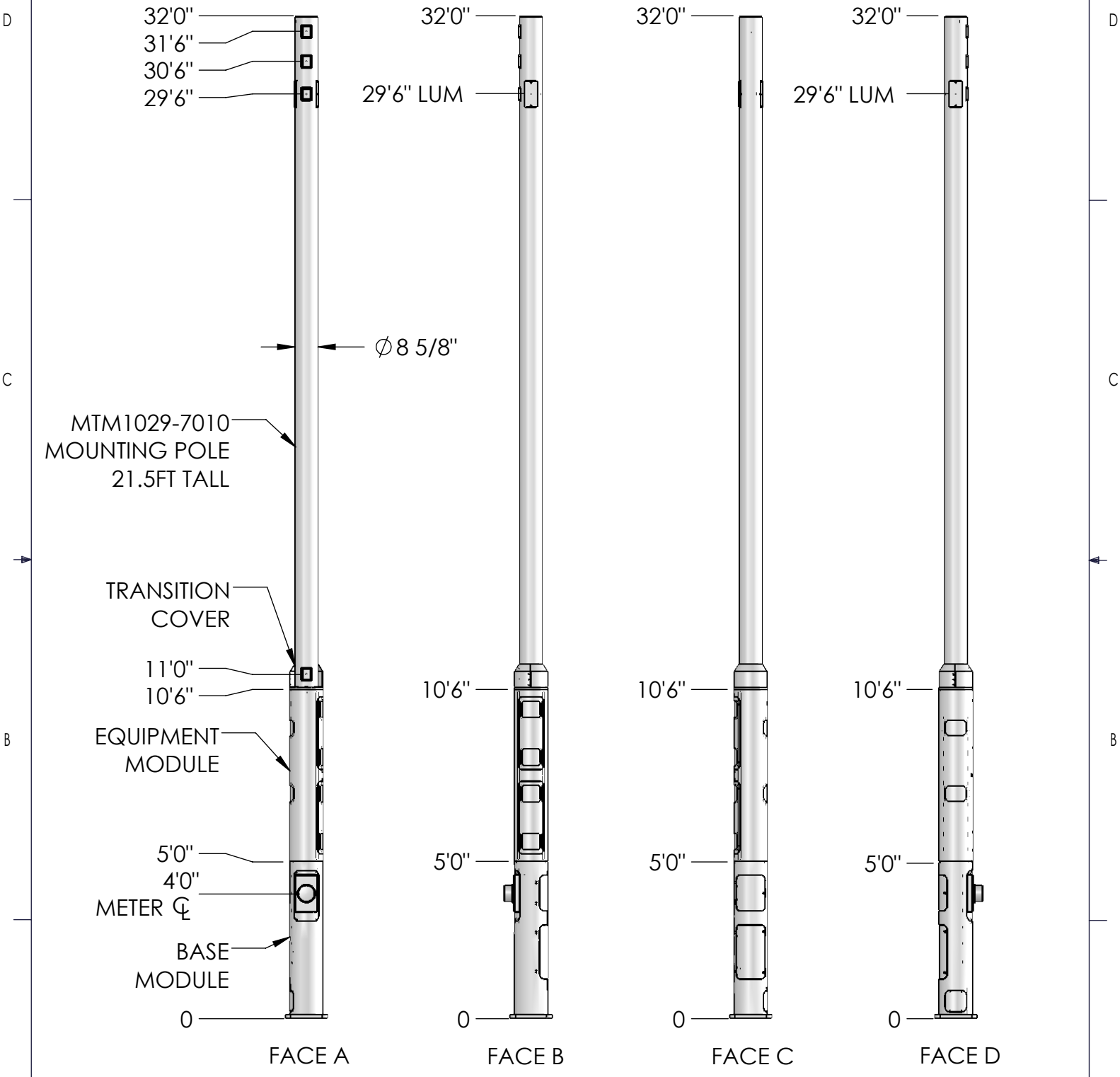
<p>These drawings and specifications are the proprietary property of CommScope Inc. and may be used only for the specific purpose authorized in writing by CommScope Inc.</p> <p>ALL DIMENSIONS ARE IN INCHES U.O.S. TOLERANCES UNLESS OTHERWISE SPECIFIED:</p> <p>.X = ± .12 ANGLES ±2° .XX = ± .06 FRACTIONS ±1/32 .XXX = ± .031</p> <p>REMOVE BURRS AND BREAK EDGES .005</p> <p>DO NOT SCALE THIS PRINT</p>	<p>DRAWN BY: MJP</p>	<p>SHEET: 1 of 1</p>	<p>PART NUMBER: SSC760239237xx31xx</p>
	<p>CHECKED BY:</p>	<p>SCALE:</p>	<p>DESCRIPTION: METRO CELL, 12 IN POLE BASE SOLUTION</p>
	<p>DATE:</p>	<p>MATERIAL:</p>	<p>DRAWING TYPE:</p>
	<p>REVISION: A</p>	<p>FINISH:</p>	<p>WEIGHT:</p>

REVISIONS			
REV.	DESCRIPTION	BY	DATE
A	PRELIMINARY RELEASE	MJP	03/01/2021



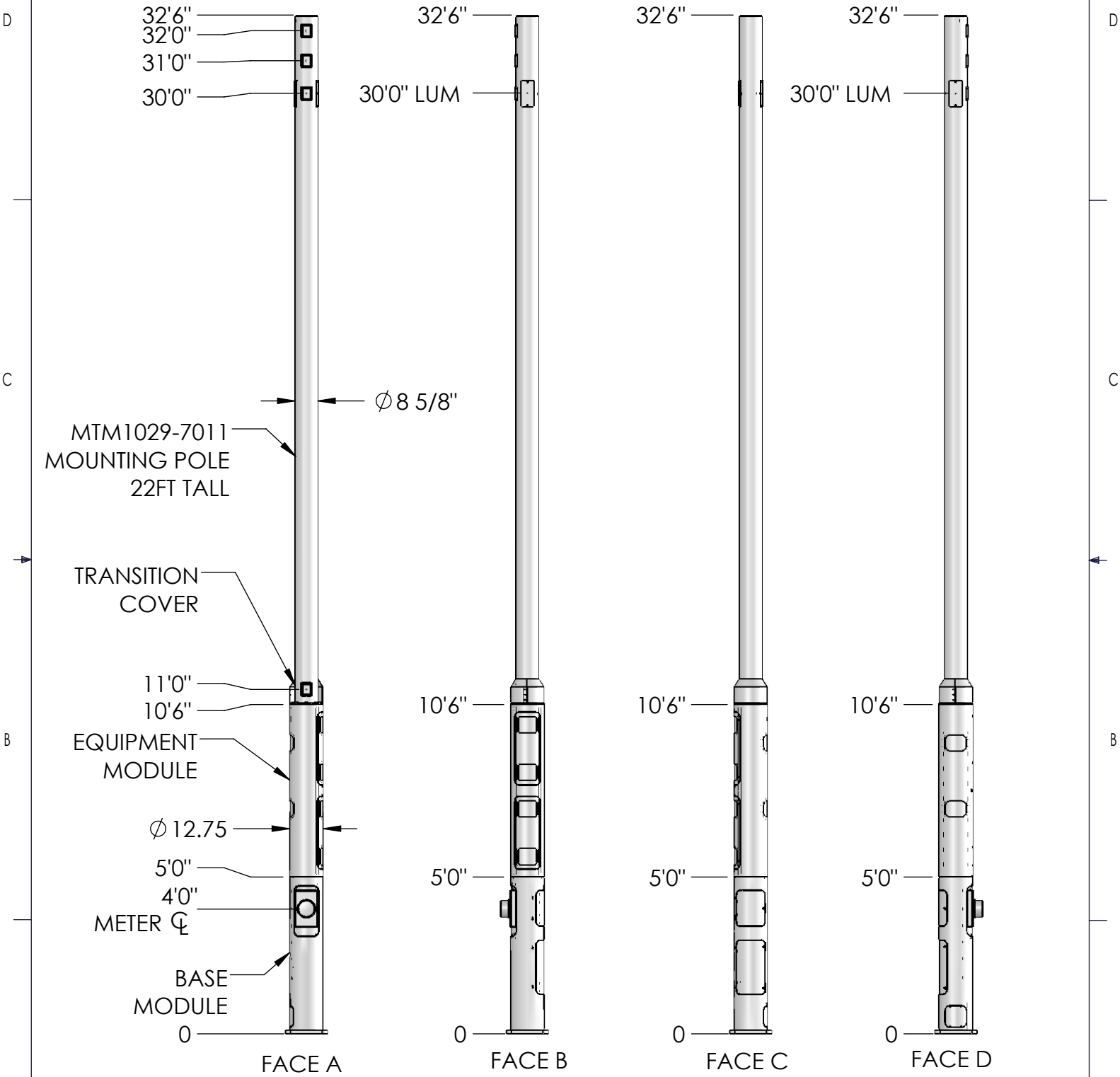
<p>These drawings and specifications are the proprietary property of CommScope Inc. and may be used only for the specific purpose authorized in writing by CommScope Inc.</p> <p>ALL DIMENSIONS ARE IN INCHES U.O.S. TOLERANCES UNLESS OTHERWISE SPECIFIED:  .X = ± .12      ANGLES ±2°  .XX = ± .06      FRACTIONS ±1/32  .XXX = ± .031</p> <p>REMOVE BURRS AND BREAK EDGES .005</p> <p>DO NOT SCALE THIS PRINT</p>	DRAWN BY: MJP	SHEET: 1 of 1	PART NUMBER: SSC760239237xx32xx
	CHECKED BY:	SCALE:	DESCRIPTION: METRO CELL, 12 IN POLE BASE SOLUTION
	DATE:	MATERIAL:	DRAWING TYPE:
	REVISION: A	FINISH:	WEIGHT:

REVISIONS			
REV.	DESCRIPTION	BY	DATE
A	PRELIMINARY RELEASE	MJP	03/01/2021



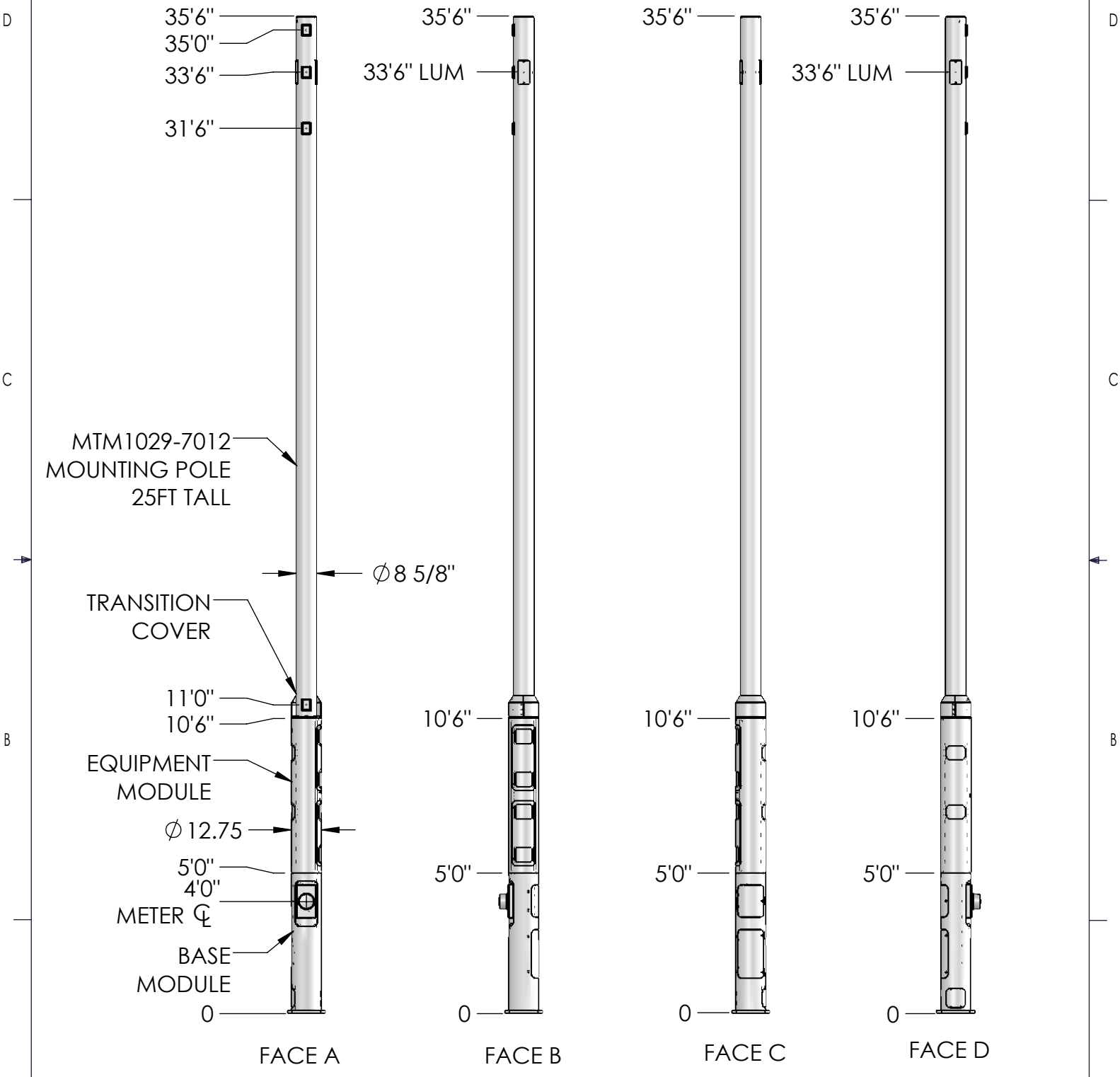
<p>These drawings and specifications are the proprietary property of CommScope Inc. and may be used only for the specific purpose authorized in writing by CommScope Inc.</p> <p>ALL DIMENSIONS ARE IN INCHES U.O.S. TOLERANCES UNLESS OTHERWISE SPECIFIED:</p> <table border="0"> <tr> <td>.X = ±</td> <td>.12</td> <td>ANGLES</td> <td>±2°</td> </tr> <tr> <td>.XX = ±</td> <td>.06</td> <td>FRACTIONS</td> <td>±1/32</td> </tr> <tr> <td>.XXX = ±</td> <td>.031</td> <td></td> <td></td> </tr> </table> <p>REMOVE BURRS AND BREAK EDGES .005</p> <p>DO NOT SCALE THIS PRINT</p>	.X = ±	.12	ANGLES	±2°	.XX = ±	.06	FRACTIONS	±1/32	.XXX = ±	.031			DRAWN BY: MJP	SHEET: 1 of 1	PART NUMBER: SSC760239237xx32xx
	.X = ±	.12	ANGLES	±2°											
	.XX = ±	.06	FRACTIONS	±1/32											
	.XXX = ±	.031													
	CHECKED BY:	SCALE:	DESCRIPTION: METRO CELL, 12 IN POLE BASE SOLUTION												
DATE:	MATERIAL:	DRAWING TYPE:													
REVISION: A	FINISH:														
	WEIGHT:														

REVISIONS			
REV.	DESCRIPTION	BY	DATE
A	PRELIMINARY RELEASE	MJP	03/01/2021



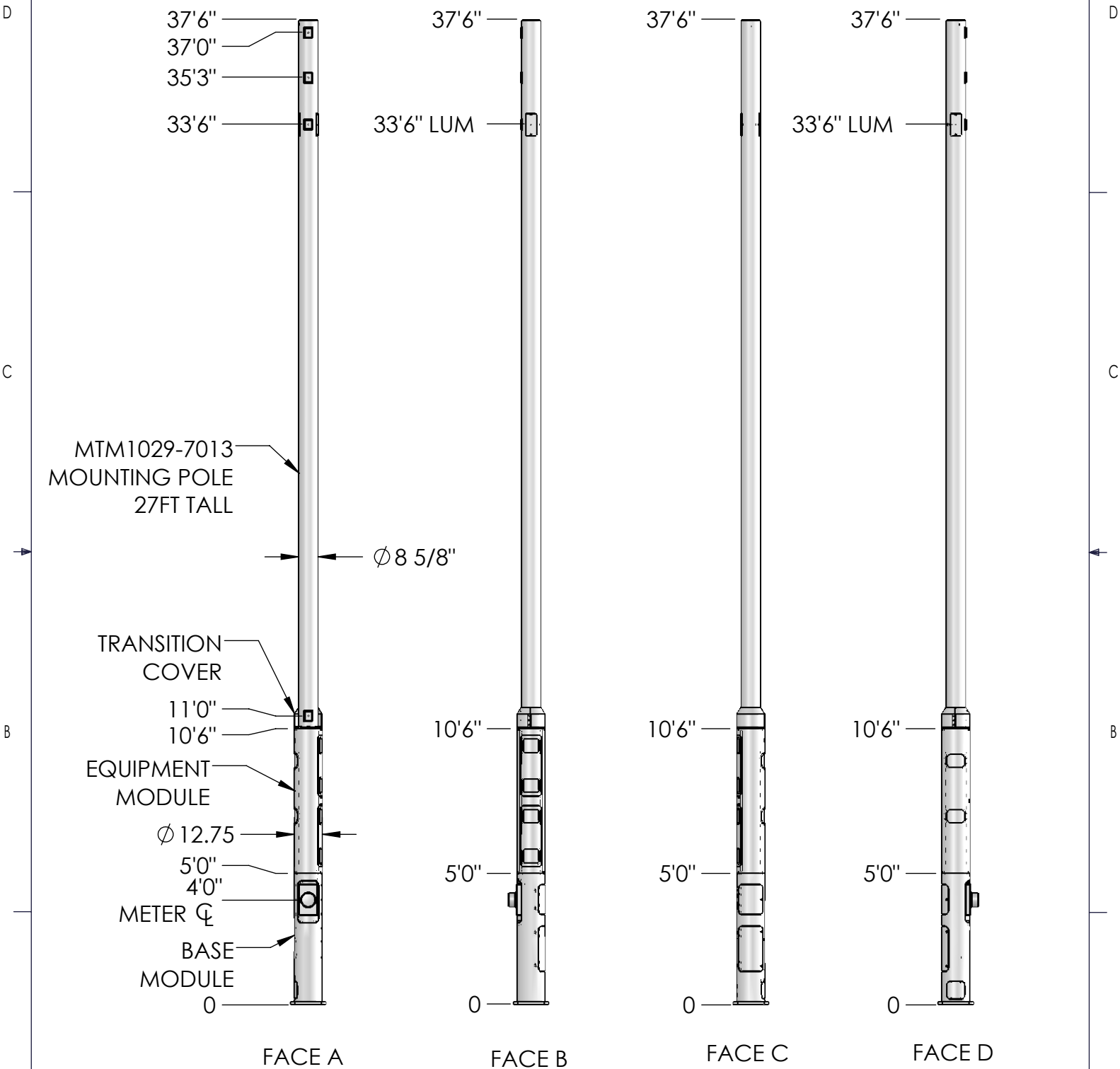
<p>These drawings and specifications are the proprietary property of CommScope Inc. and may be used only for the specific purpose authorized in writing by CommScope Inc.</p> <p>ALL DIMENSIONS ARE IN INCHES U.O.S. TOLERANCES UNLESS OTHERWISE SPECIFIED:</p> <p>.X = ± .12 ANGLES ±2°          .XX = ± .06 FRACTIONS ±1/32          .XXX = ± .031</p> <p>REMOVE BURRS AND BREAK EDGES .005</p> <p>DO NOT SCALE THIS PRINT</p>	DRAWN BY: MJP	SHEET: 1 of 1	PART NUMBER: SSC760239237xx33xx
	CHECKED BY:	SCALE:	DESCRIPTION: METRO CELL, 12 IN POLE BASE SOLUTION
	DATE:	MATERIAL:	DRAWING TYPE:
	REVISION: A	FINISH:	
	WEIGHT:		

REVISIONS			
REV.	DESCRIPTION	BY	DATE
A	PRELIMINARY RELEASE	MJP	03/01/2021



<p>These drawings and specifications are the proprietary property of CommScope Inc. and may be used only for the specific purpose authorized in writing by CommScope Inc.</p> <p>ALL DIMENSIONS ARE IN INCHES U.O.S. TOLERANCES UNLESS OTHERWISE SPECIFIED:</p> <p>.X = ± .12 ANGLES ±2°          .XX = ± .06 FRACTIONS ±1/32          .XXX = ± .031</p> <p>REMOVE BURRS AND BREAK EDGES .005</p> <p>DO NOT SCALE THIS PRINT</p>	DRAWN BY: MJP	SHEET: 1 of 1	PART NUMBER: SSC760239237xx36xx
	CHECKED BY:	SCALE:	DESCRIPTION: METRO CELL, 12 IN POLE BASE SOLUTION
	DATE:	MATERIAL:	DRAWING TYPE:
	REVISION: A	FINISH:	WEIGHT:

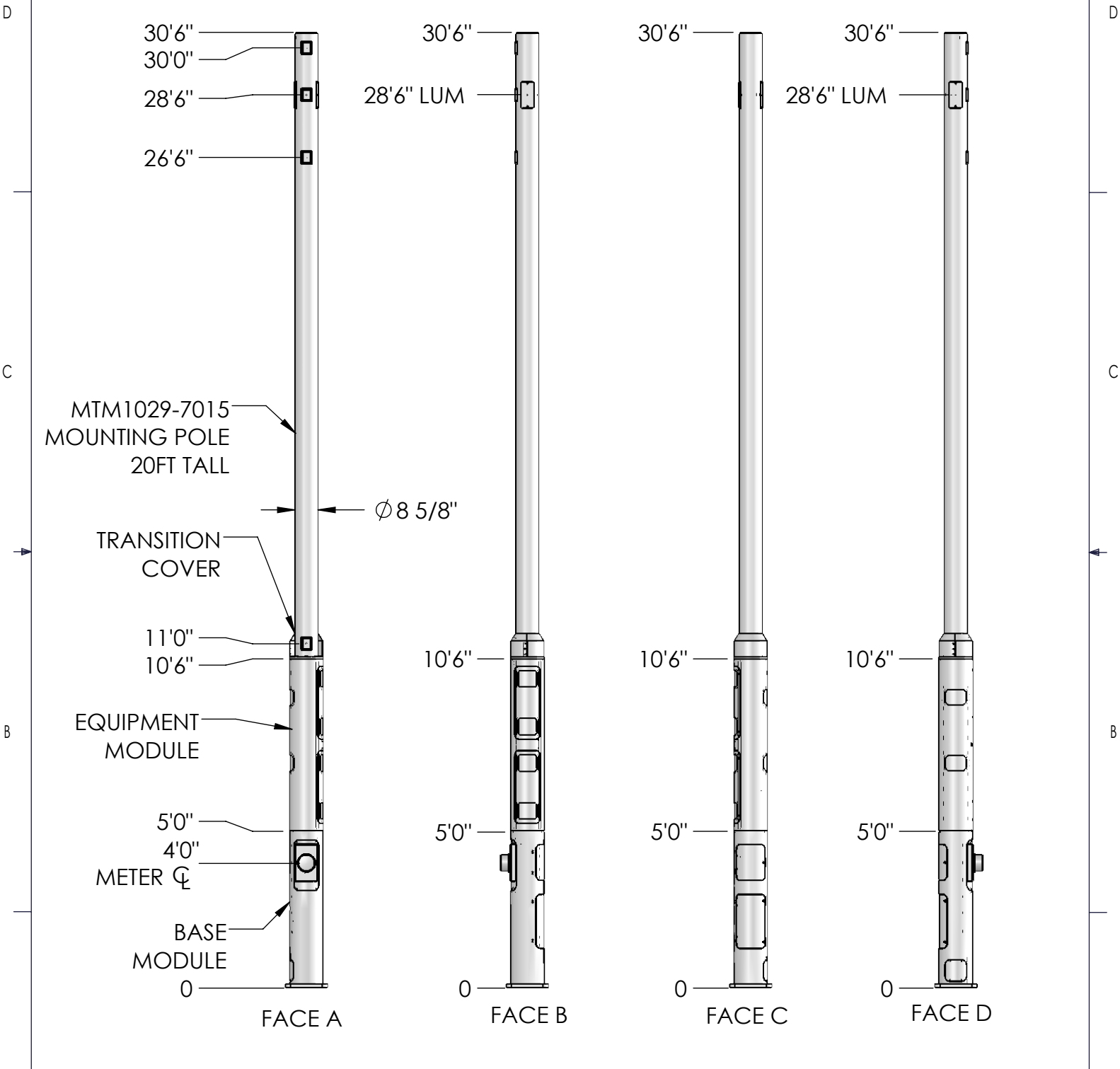
REVISIONS			
REV.	DESCRIPTION	BY	DATE
A	PRELIMINARY RELEASE	MJP	03/01/2021



<p>These drawings and specifications are the proprietary property of CommScope Inc. and may be used only for the specific purpose authorized in writing by CommScope Inc.</p> <p>ALL DIMENSIONS ARE IN INCHES U.O.S. TOLERANCES UNLESS OTHERWISE SPECIFIED:</p> <p>.X = ± .12 ANGLES ±2°</p> <p>.XX = ± .06 FRACTIONS ±1/32</p> <p>.XXX = ± .031</p> <p>REMOVE BURRS AND BREAK EDGES .005</p> <p>DO NOT SCALE THIS PRINT</p>	<p>DRAWN BY: MJP</p>	<p>SHEET: 1 of 1</p>	<p>PART NUMBER: SSC760239237xx38xx</p>
	<p>CHECKED BY:</p>	<p>SCALE:</p>	<p>DESCRIPTION: METRO CELL, 12 IN POLE BASE SOLUTION</p>
	<p>DATE:</p>	<p>MATERIAL:</p>	<p>DRAWING TYPE:</p>
	<p>REVISION: A</p>	<p>FINISH:</p>	<p>WEIGHT:</p>



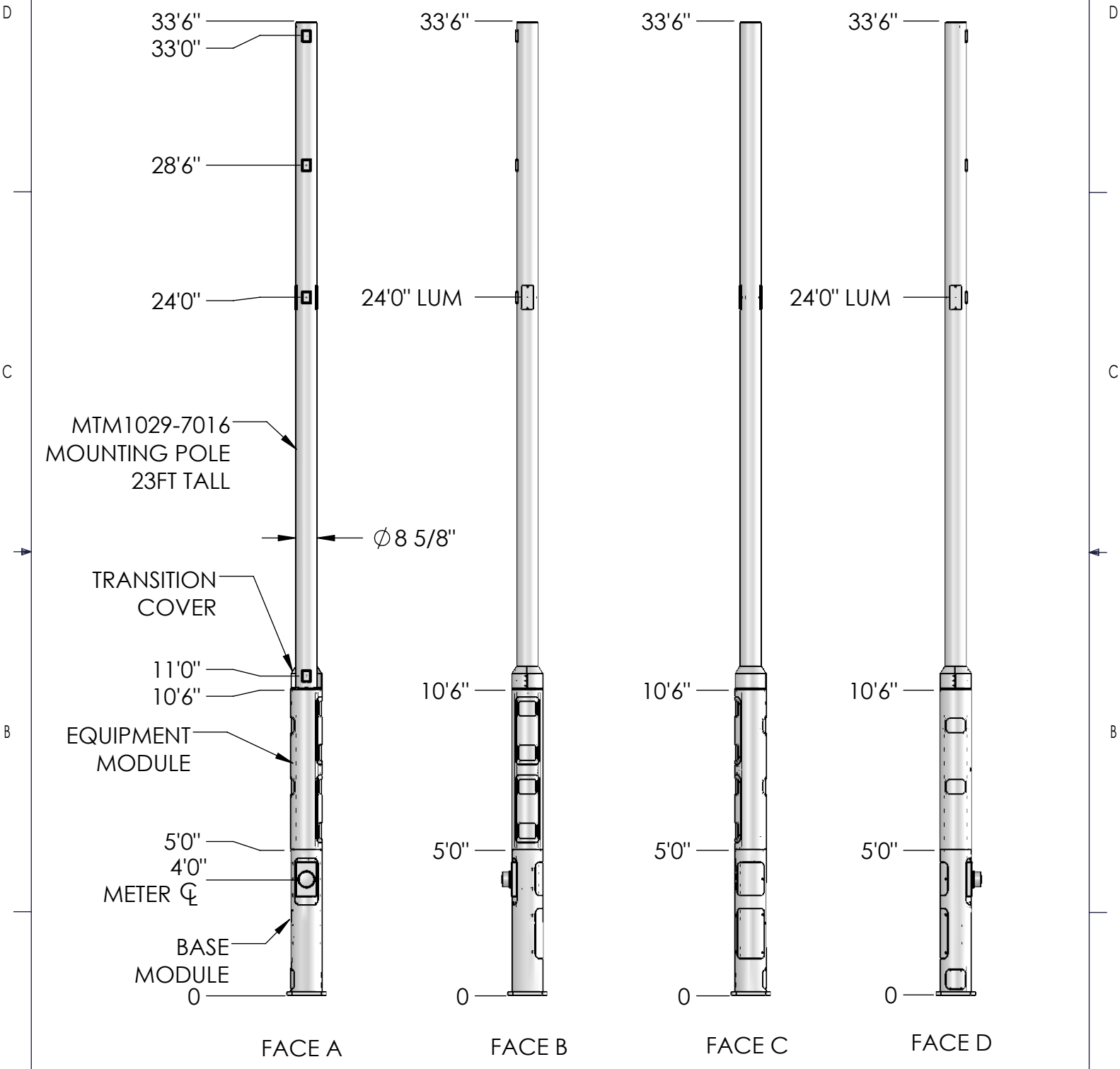
REVISIONS			
REV.	DESCRIPTION	BY	DATE
A	PRELIMINARY RELEASE	MJP	03/01/2021



<p>These drawings and specifications are the proprietary property of CommScope Inc. and may be used only for the specific purpose authorized in writing by CommScope Inc.</p> <p>ALL DIMENSIONS ARE IN INCHES U.O.S. TOLERANCES UNLESS OTHERWISE SPECIFIED:</p> <p>.X = ± .12 ANGLES ±2°          .XX = ± .06 FRACTIONS ±1/32          .XXX = ± .031</p> <p>REMOVE BURRS AND BREAK EDGES .005</p> <p>DO NOT SCALE THIS PRINT</p>	DRAWN BY: MJP	SHEET: 1 of 1	PART NUMBER: SSC760239237xx31xx
	CHECKED BY:	SCALE:	DESCRIPTION: METRO CELL, 12 IN POLE BASE SOLUTION
	DATE:	MATERIAL:	DRAWING TYPE:
	REVISION: A	FINISH:	
	WEIGHT:		

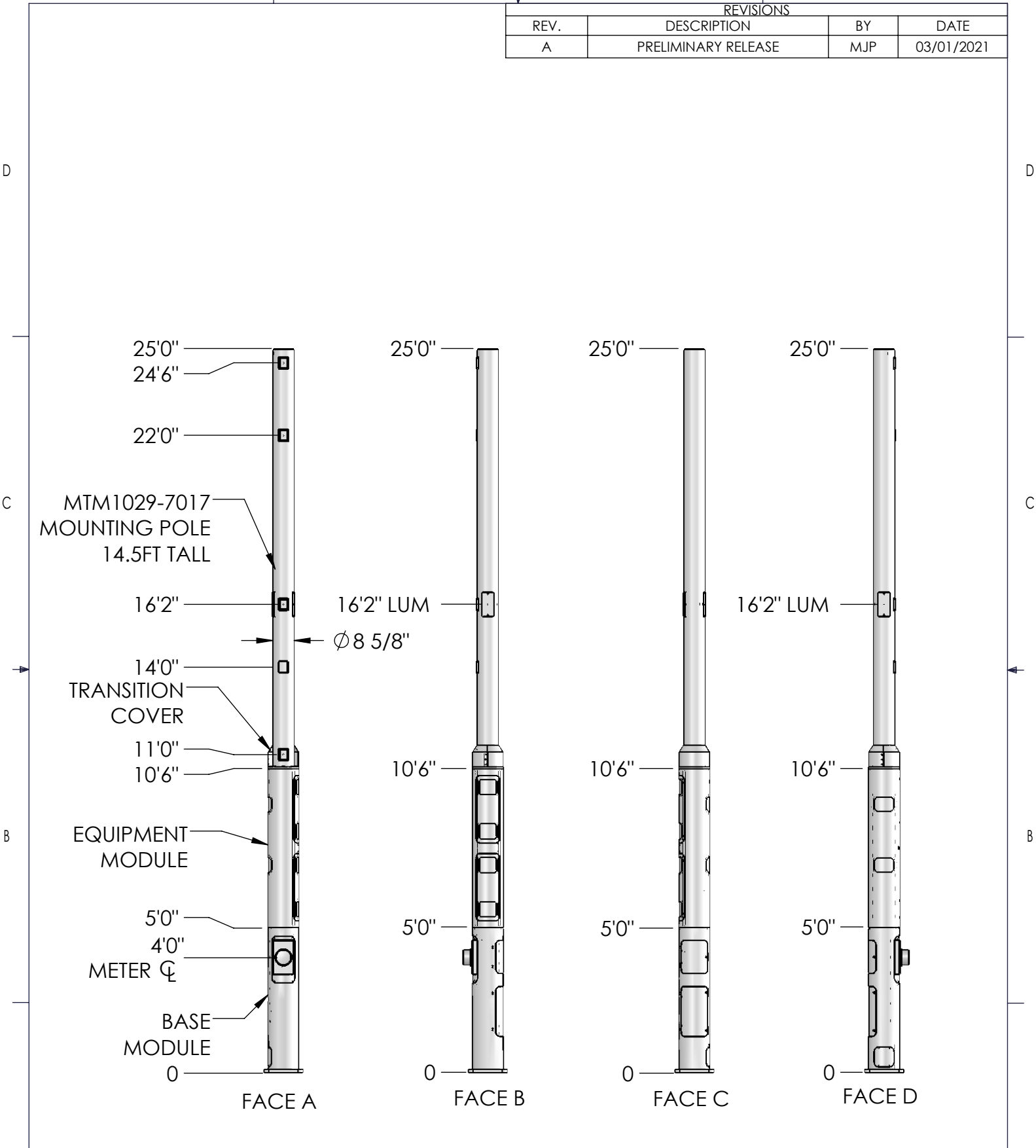


REVISIONS			
REV.	DESCRIPTION	BY	DATE
A	PRELIMINARY RELEASE	MJP	03/01/2021



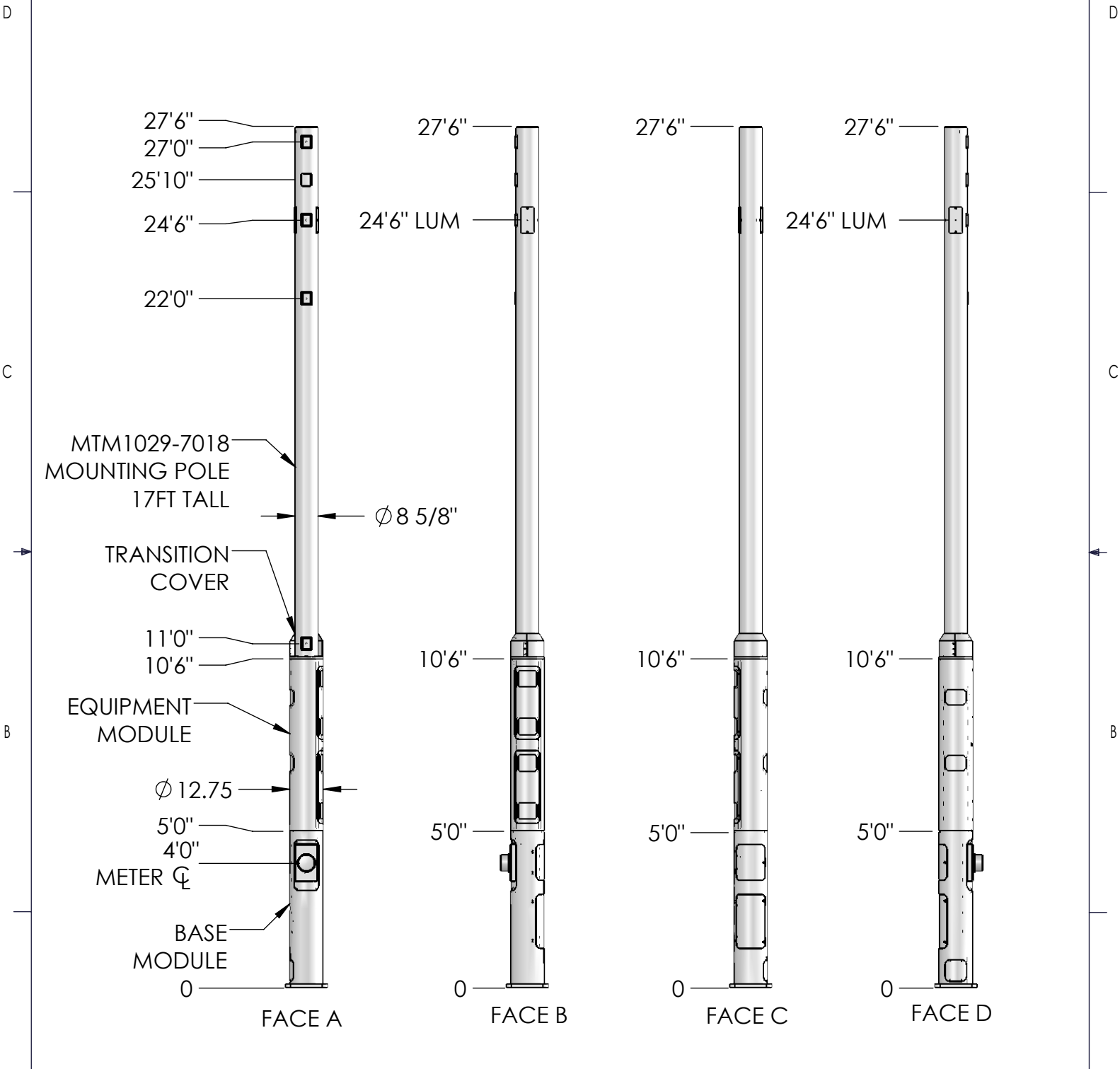
<p>These drawings and specifications are the proprietary property of CommScope Inc. and may be used only for the specific purpose authorized in writing by CommScope Inc.</p> <p>ALL DIMENSIONS ARE IN INCHES U.O.S. TOLERANCES UNLESS OTHERWISE SPECIFIED:</p> <p>.X = ± .12      ANGLES      ±2° .XX = ± .06      FRACTIONS      ±1/32 .XXX = ± .031</p> <p>REMOVE BURRS AND BREAK EDGES .005</p> <p>DO NOT SCALE THIS PRINT</p>	<p>DRAWN BY: MJP</p>	<p>SHEET: 1 of 1</p>	<p>PART NUMBER: SSC760239237xx34xx</p>
	<p>CHECKED BY:</p>	<p>SCALE:</p>	<p>DESCRIPTION: METRO CELL, 12 IN POLE BASE SOLUTION</p>
	<p>DATE:</p>	<p>MATERIAL:</p>	<p>DRAWING TYPE:</p>
	<p>REVISION: A</p>	<p>FINISH:</p>	<p>WEIGHT:</p>

REVISIONS			
REV.	DESCRIPTION	BY	DATE
A	PRELIMINARY RELEASE	MJP	03/01/2021



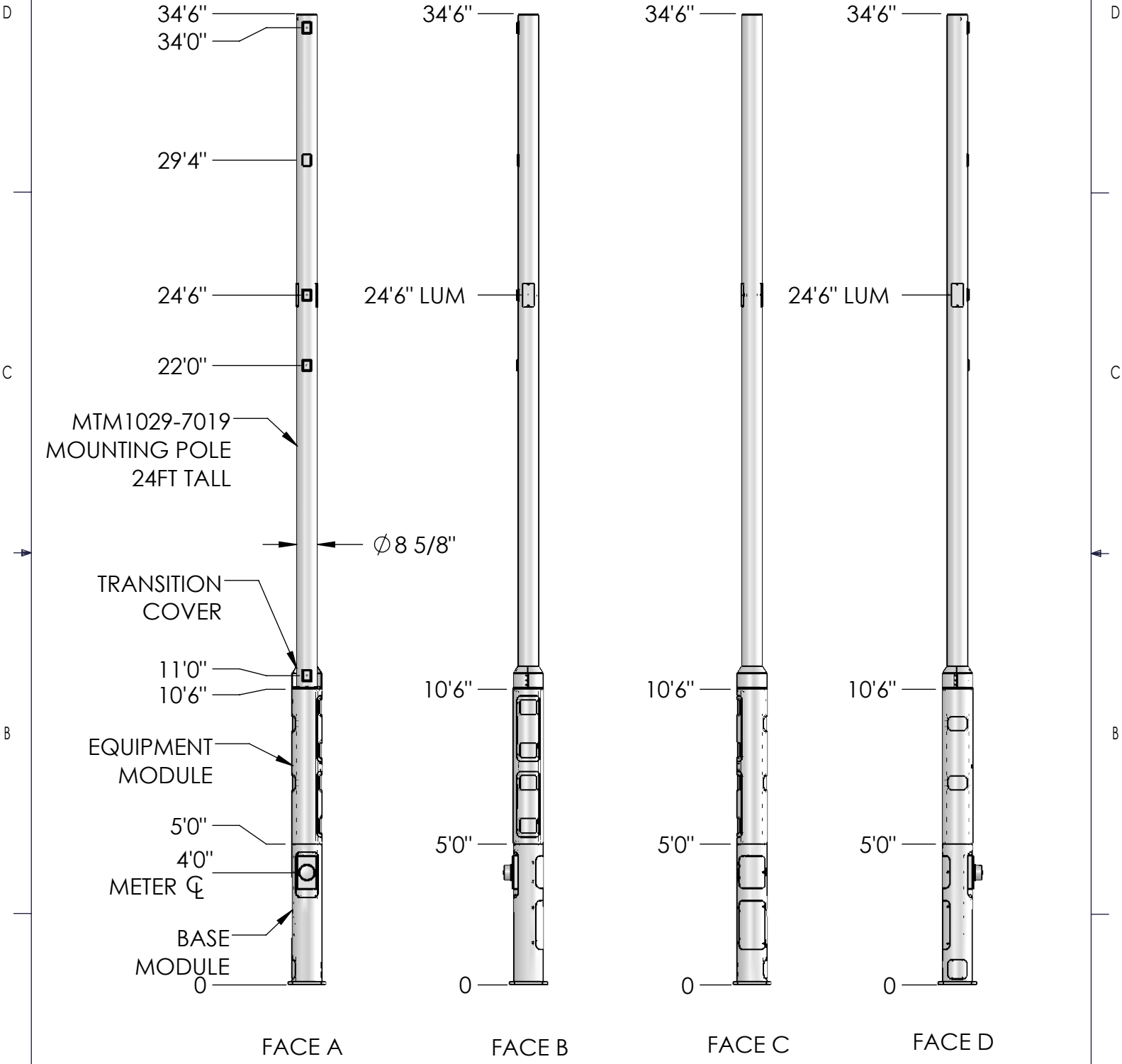
<p>These drawings and specifications are the proprietary property of CommScope Inc. and may be used only for the specific purpose authorized in writing by CommScope Inc.</p> <p>ALL DIMENSIONS ARE IN INCHES U.O.S. TOLERANCES UNLESS OTHERWISE SPECIFIED:</p> <p>.X = ± .12 ANGLES ±2°          .XX = ± .06 FRACTIONS ±1/32          .XXX = ± .031</p> <p>REMOVE BURRS AND BREAK EDGES .005</p> <p>DO NOT SCALE THIS PRINT</p>	DRAWN BY: MJP	SHEET: 1 of 1	PART NUMBER: SSC760239237xx25xx
	CHECKED BY:	SCALE:	DESCRIPTION: METRO CELL, 12 IN POLE BASE SOLUTION
	DATE:	MATERIAL:	DRAWING TYPE:
	REVISION: A	FINISH:	WEIGHT:

REVISIONS			
REV.	DESCRIPTION	BY	DATE
A	PRELIMINARY RELEASE	MJP	03/01/2021



<p>These drawings and specifications are the proprietary property of CommScope Inc. and may be used only for the specific purpose authorized in writing by CommScope Inc.</p> <p>ALL DIMENSIONS ARE IN INCHES U.O.S. TOLERANCES UNLESS OTHERWISE SPECIFIED:</p> <p>.X = ± .12      ANGLES ±2°          .XX = ± .06      FRACTIONS ±1/32          .XXX = ± .031</p> <p>REMOVE BURRS AND BREAK EDGES .005</p> <p>DO NOT SCALE THIS PRINT</p>	DRAWN BY: MJP	SHEET: 1 of 1	PART NUMBER: SSC760239237xx28xx
	CHECKED BY:	SCALE:	DESCRIPTION: METRO CELL, 12 IN POLE BASE SOLUTION
	DATE:	MATERIAL:	DRAWING TYPE:
	REVISION: A	FINISH:	
		WEIGHT:	

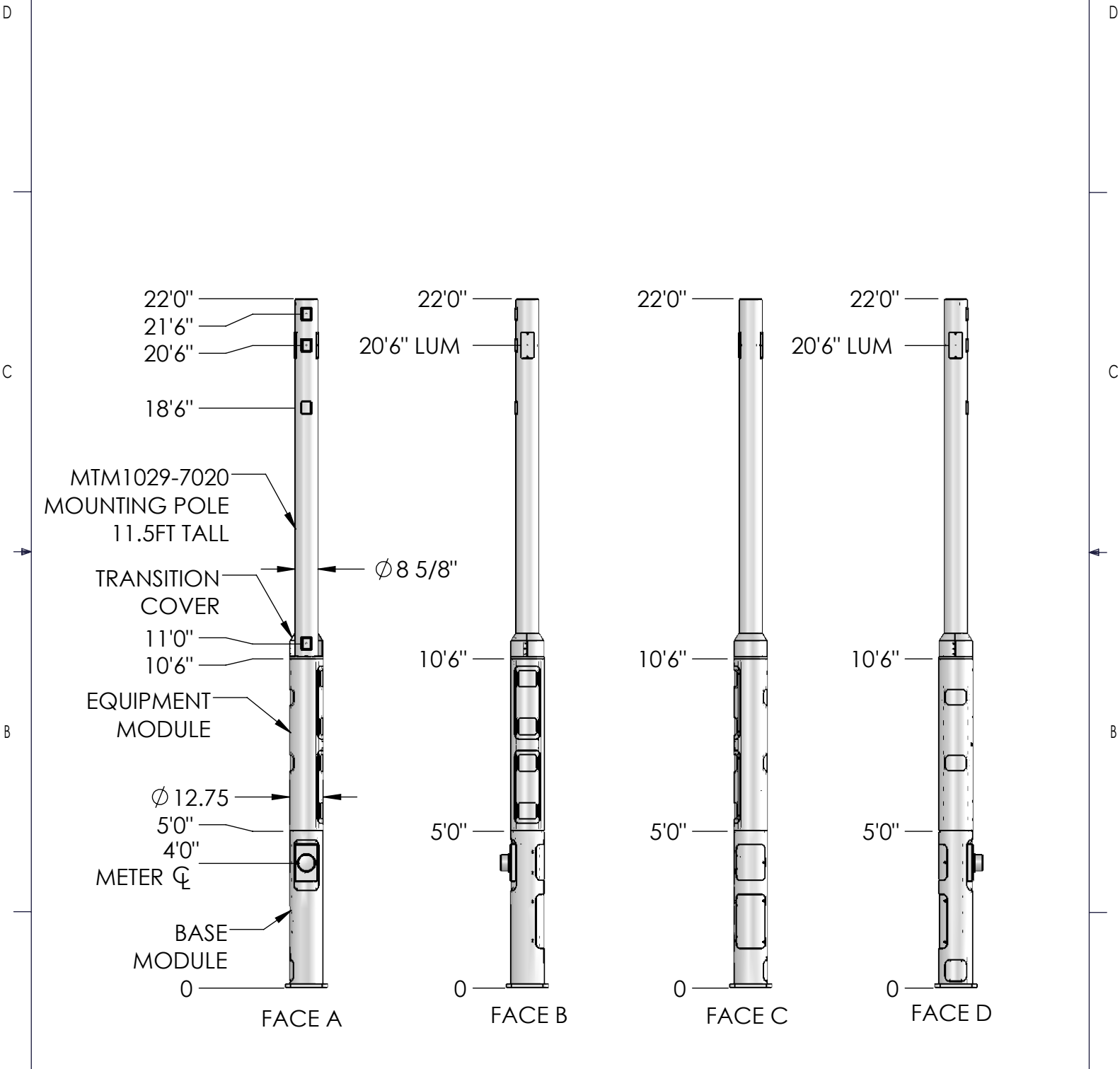
REVISIONS			
REV.	DESCRIPTION	BY	DATE
A	PRELIMINARY RELEASE	MJP	03/01/2021



<p>These drawings and specifications are the proprietary property of CommScope Inc. and may be used only for the specific purpose authorized in writing by CommScope Inc.</p> <p>ALL DIMENSIONS ARE IN INCHES U.O.S. TOLERANCES UNLESS OTHERWISE SPECIFIED:</p> <p>.X = ± .12 ANGLES ±2° .XX = ± .06 FRACTIONS ±1/32 .XXX = ± .031</p> <p>REMOVE BURRS AND BREAK EDGES .005</p> <p>DO NOT SCALE THIS PRINT</p>	<p>DRAWN BY: MJP</p>	<p>SHEET: 1 of 1</p>	<p>PART NUMBER: SSC760239237xx35xx</p>
	<p>CHECKED BY:</p>	<p>SCALE:</p>	<p>DESCRIPTION: METRO CELL, 12 IN POLE BASE SOLUTION</p>
	<p>DATE:</p>	<p>MATERIAL:</p>	<p>DRAWING TYPE:</p>
	<p>REVISION: A</p>	<p>FINISH:</p>	<p>WEIGHT:</p>



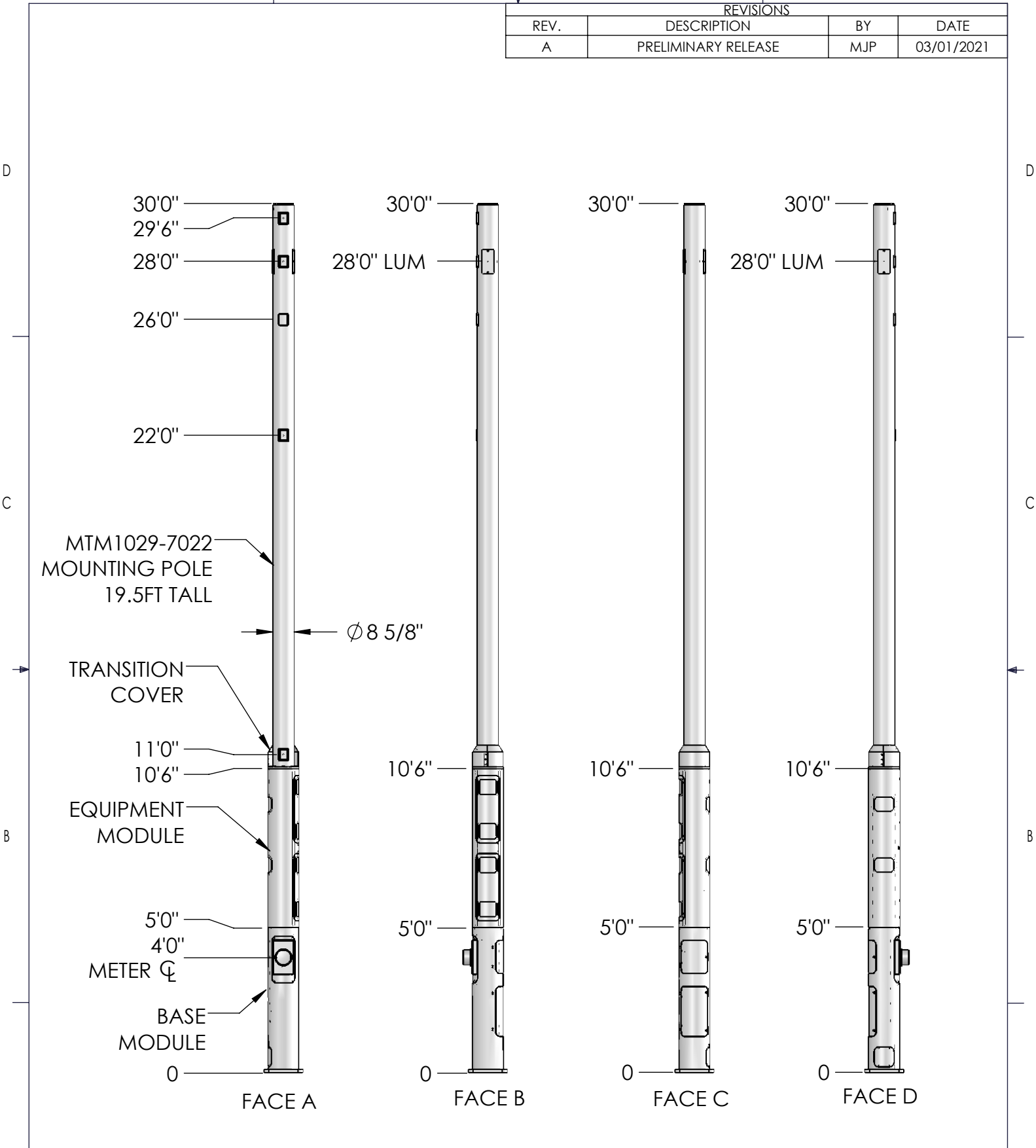
REVISIONS			
REV.	DESCRIPTION	BY	DATE
A	PRELIMINARY RELEASE	MJP	03/01/2021



<p>These drawings and specifications are the proprietary property of CommScope Inc. and may be used only for the specific purpose authorized in writing by CommScope Inc.</p> <p>ALL DIMENSIONS ARE IN INCHES U.O.S. TOLERANCES UNLESS OTHERWISE SPECIFIED:</p> <p>.X = ± .12      ANGLES      ±2° .XX = ± .06      FRACTIONS      ±1/32 .XXX = ± .031</p> <p>REMOVE BURRS AND BREAK EDGES .005</p> <p>DO NOT SCALE THIS PRINT</p>	DRAWN BY: MJP	SHEET: 1 of 1	PART NUMBER: SSC760239237xx22xx
	CHECKED BY:	SCALE:	DESCRIPTION: METRO CELL, 12 IN POLE BASE SOLUTION
	DATE:	MATERIAL:	DRAWING TYPE:
	REVISION: A	FINISH:	WEIGHT:

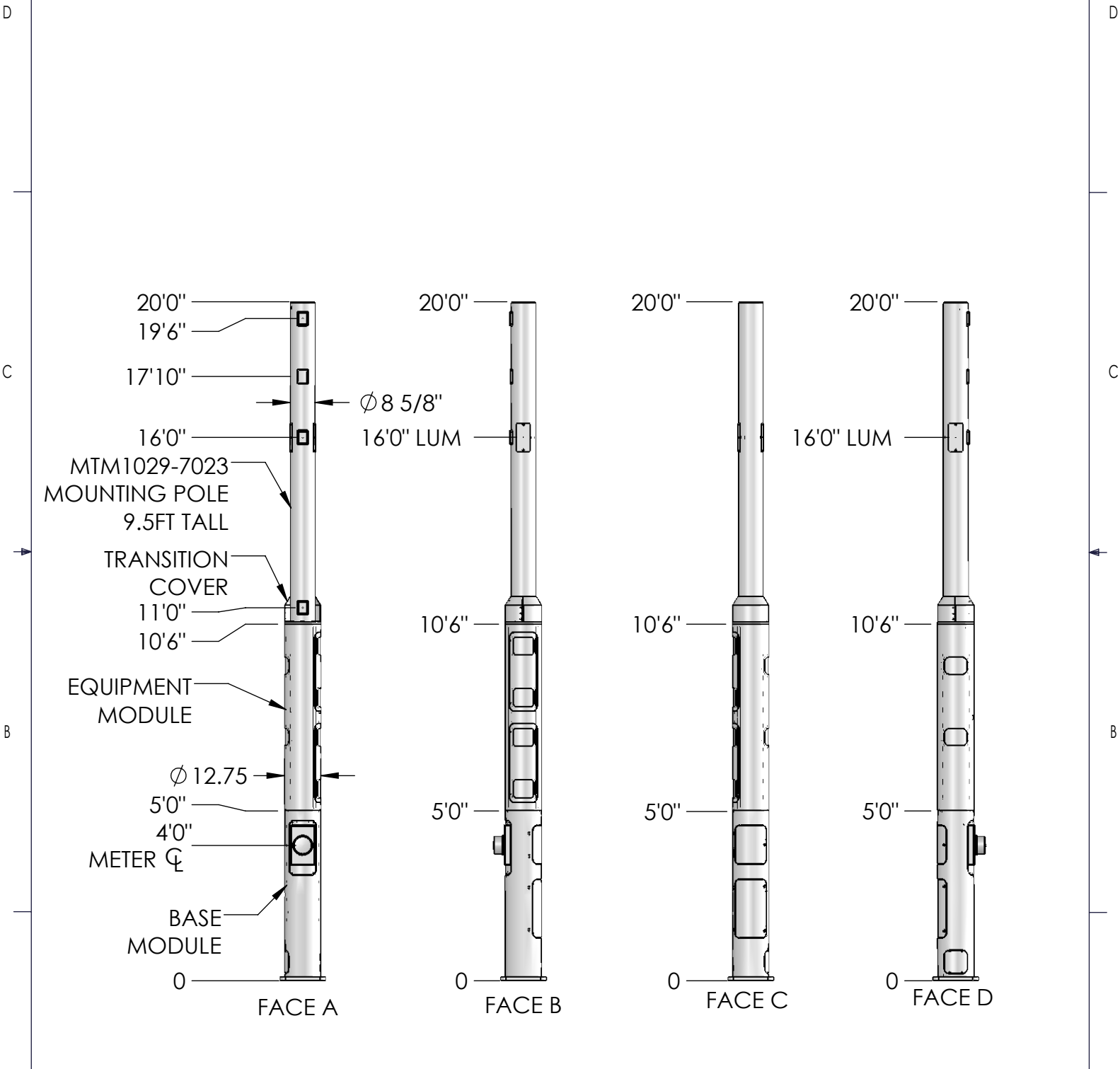


REVISIONS			
REV.	DESCRIPTION	BY	DATE
A	PRELIMINARY RELEASE	MJP	03/01/2021



<p>These drawings and specifications are the proprietary property of CommScope Inc. and may be used only for the specific purpose authorized in writing by CommScope Inc.</p> <p>ALL DIMENSIONS ARE IN INCHES U.O.S. TOLERANCES UNLESS OTHERWISE SPECIFIED:</p> <p>.X = ± .12 ANGLES ±2°          .XX = ± .06 FRACTIONS ±1/32          .XXX = ± .031</p> <p>REMOVE BURRS AND BREAK EDGES .005</p> <p>DO NOT SCALE THIS PRINT</p>	DRAWN BY: MJP	SHEET: 1 of 1	PART NUMBER: SSC760239237xx30xx
	CHECKED BY:	SCALE:	DESCRIPTION: METRO CELL, 12 IN POLE BASE SOLUTION
	DATE:	MATERIAL:	DRAWING TYPE:
	REVISION: A	FINISH:	
	WEIGHT:		

REVISIONS			
REV.	DESCRIPTION	BY	DATE
A	PRELIMINARY RELEASE	MJP	03/01/2021

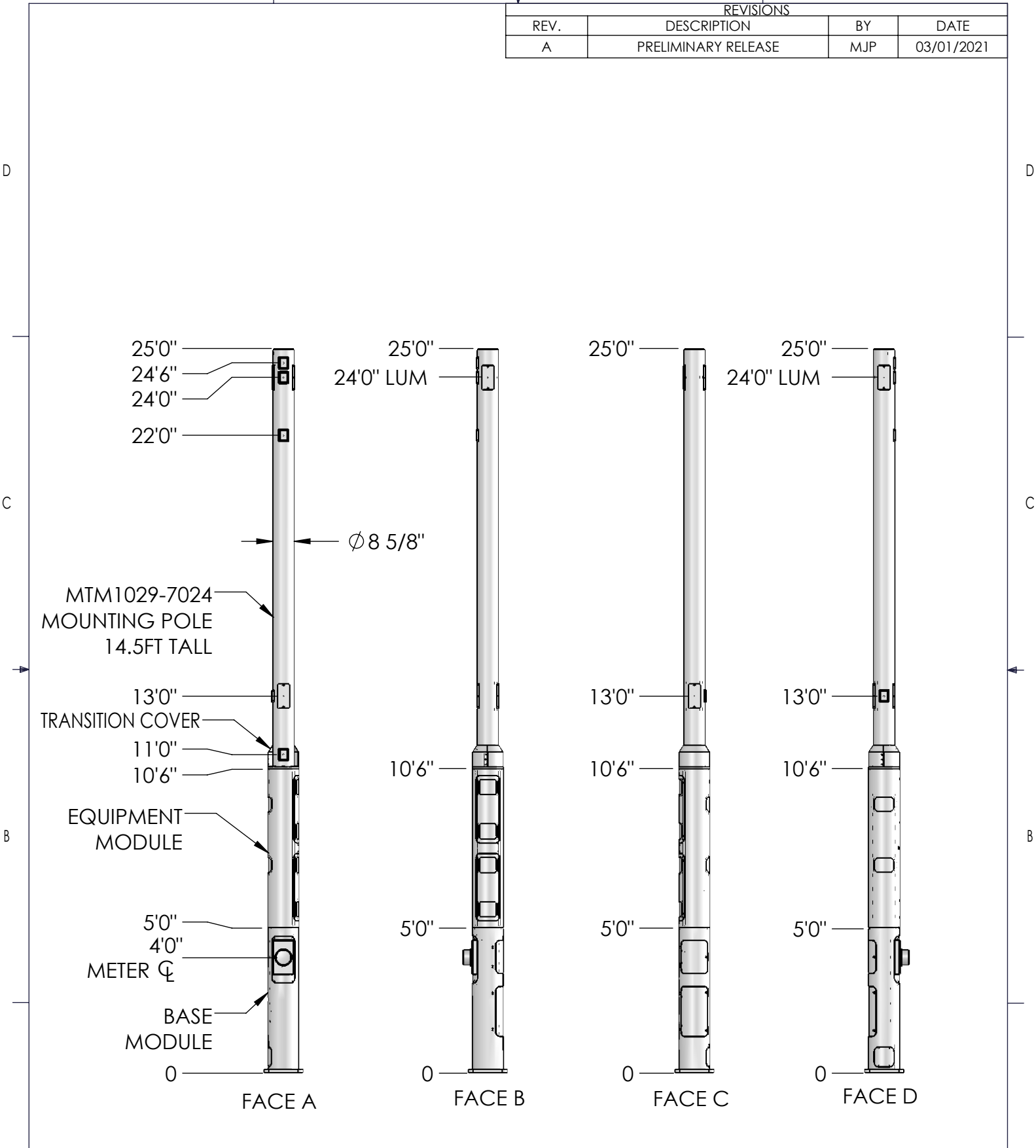


<p>These drawings and specifications are the proprietary property of CommScope Inc. and may be used only for the specific purpose authorized in writing by CommScope Inc.</p> <p>ALL DIMENSIONS ARE IN INCHES U.O.S. TOLERANCES UNLESS OTHERWISE SPECIFIED:</p> <p>.X = ± .12 ANGLES ±2°          .XX = ± .06 FRACTIONS ±1/32          .XXX = ± .031</p> <p>REMOVE BURRS AND BREAK EDGES .005</p> <p>DO NOT SCALE THIS PRINT</p>	DRAWN BY: MJP	SHEET: 1 of 1	PART NUMBER: SSC760239237xx20xx
	CHECKED BY:	SCALE:	DESCRIPTION: METRO CELL, 12 IN POLE BASE SOLUTION
	DATE:	MATERIAL:	DRAWING TYPE:
	REVISION: A	FINISH:	WEIGHT:





REVISIONS			
REV.	DESCRIPTION	BY	DATE
A	PRELIMINARY RELEASE	MJP	03/01/2021



<p>These drawings and specifications are the proprietary property of CommScope Inc. and may be used only for the specific purpose authorized in writing by CommScope Inc.</p> <p>ALL DIMENSIONS ARE IN INCHES U.O.S. TOLERANCES UNLESS OTHERWISE SPECIFIED:</p> <p>.X = ± .12 ANGLES ±2° .XX = ± .06 FRACTIONS ±1/32 .XXX = ± .031</p> <p>REMOVE BURRS AND BREAK EDGES .005</p> <p>DO NOT SCALE THIS PRINT</p>	DRAWN BY: MJP	SHEET: 1 of 1	PART NUMBER: SSC760239237xx25xx
	CHECKED BY:	SCALE:	DESCRIPTION: METRO CELL, 12 IN POLE BASE SOLUTION
	DATE:	MATERIAL:	DRAWING TYPE:
	REVISION: A	FINISH:	
	WEIGHT:		