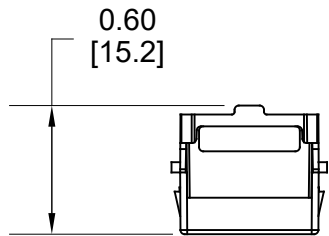


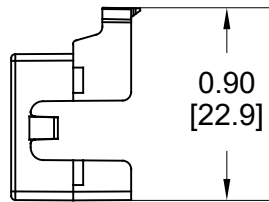
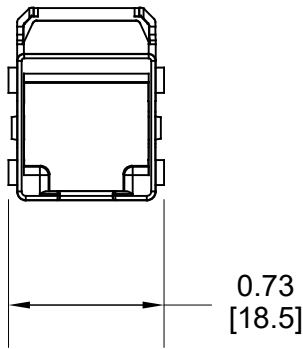
MATERIAL ID	DESCRIPTION
760243567	M-SERIES SL ADAPTER,25PK



NOTES:

1. SEE COMMSCOPE CATALOG FOR PART NUMBER SUFFIXES TO INDICATE COLOR/PKG.
2. SEE COMMSCOPE CATALOG FOR COMPLETE LIST OF PARTS RELATED TO THE USE OF THIS PRODUCT.
3. DIMENSIONS IN PARENTHESSES ARE IN METRIC[MM].
4. PART INCLUDES:

(25) M-SERIES OPEN ACCEPT SL JACK



M-SERIES SL ADAPTER,25PK	
COMMSCOPE, INC OF NORTH CAROLINA	

1	10/09/21		INITIAL ISSUE	CZ
REV	DATE	ECR	DESCRIPTION	APPROVED BY

DRAWN BY	JW	
DATE	10/09/2021	
DWG NO	760243567	