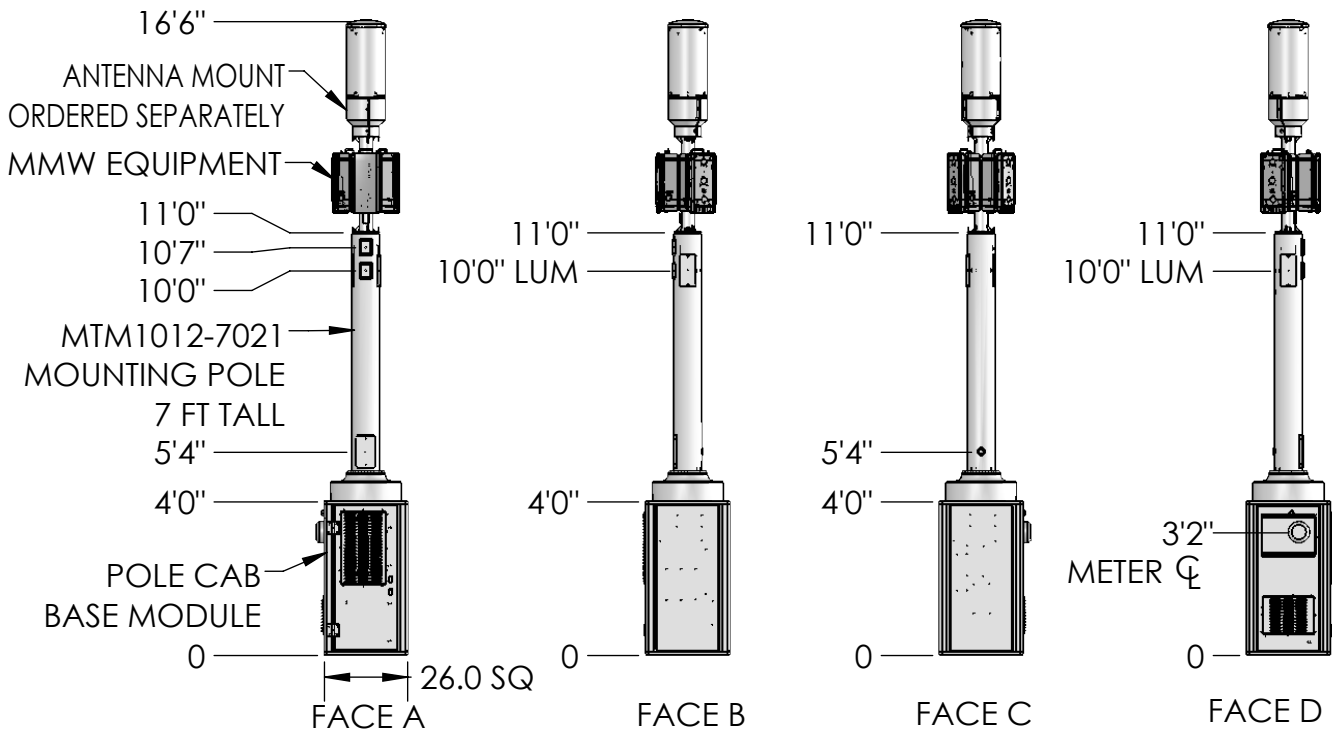


REVISIONS			
REV.	DESCRIPTION	BY	DATE
A	INITIAL RELEASE	MJP	11/11/2021



These drawings and specifications are the proprietary property of CommScope Inc. and may be used only for the specific purpose authorized in writing by CommScope Inc.

ALL DIMENSIONS ARE IN INCHES U.O.S. TOLERANCES UNLESS OTHERWISE SPECIFIED:

.X = ± .12 ANGLES ±2°  
 .XX = ± .06 FRACTIONS ±1/32  
 .XXX = ± .031

REMOVE BURRS AND BREAK EDGES .005

DO NOT SCALE THIS PRINT

DRAWN BY:  
MJP

CHECKED BY:

DATE:

REVISION:  
A

SHEET:

1 of 1

SCALE:

MATERIAL:

FINISH:

WEIGHT:

PART NUMBER:

760237427xx11xS

DESCRIPTION:

METRO CELL, 26IN POLE CAB SOLUTION

DRAWING TYPE:

**COMMSCOPE®**

4

3

2

1

D

D

C

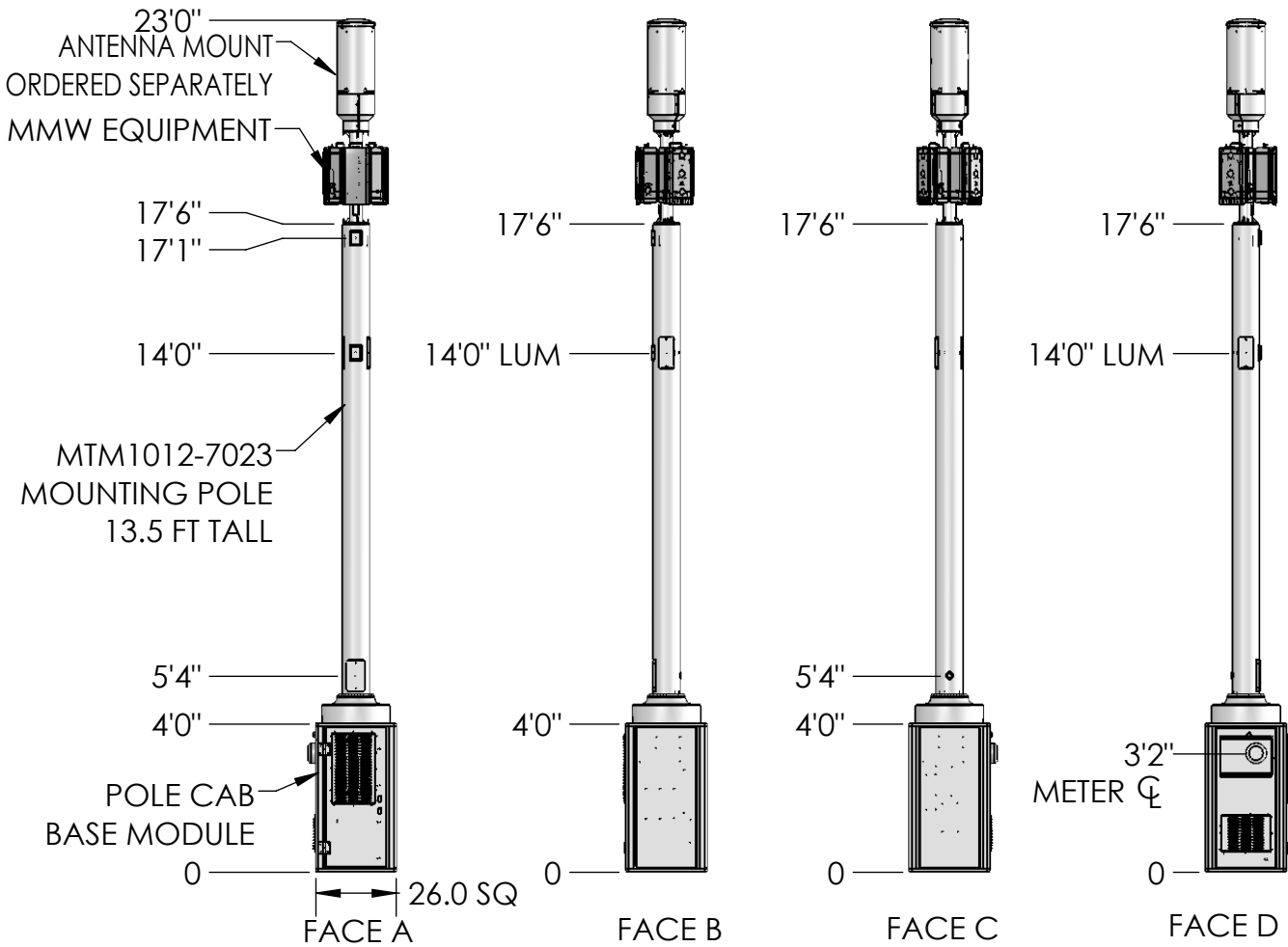
C

B

B

A

A



These drawings and specifications are the proprietary property of CommScope Inc. and may be used only for the specific purpose authorized in writing by CommScope Inc.

DRAWN BY: MJP

SHEET: 2 of 1

PART NUMBER: 760237427xx18xs

CHECKED BY:

SCALE:

DESCRIPTION: METRO CELL, 26IN POLE CAB SOLUTION

DATE:

MATERIAL:

DRAWING TYPE:

REVISION: A

FINISH:

COMMSCOPE®

WEIGHT:

REMOVE BURRS AND BREAK EDGES .005

DO NOT SCALE THIS PRINT

4

3

2

1

4

3

2

1

D

D

C

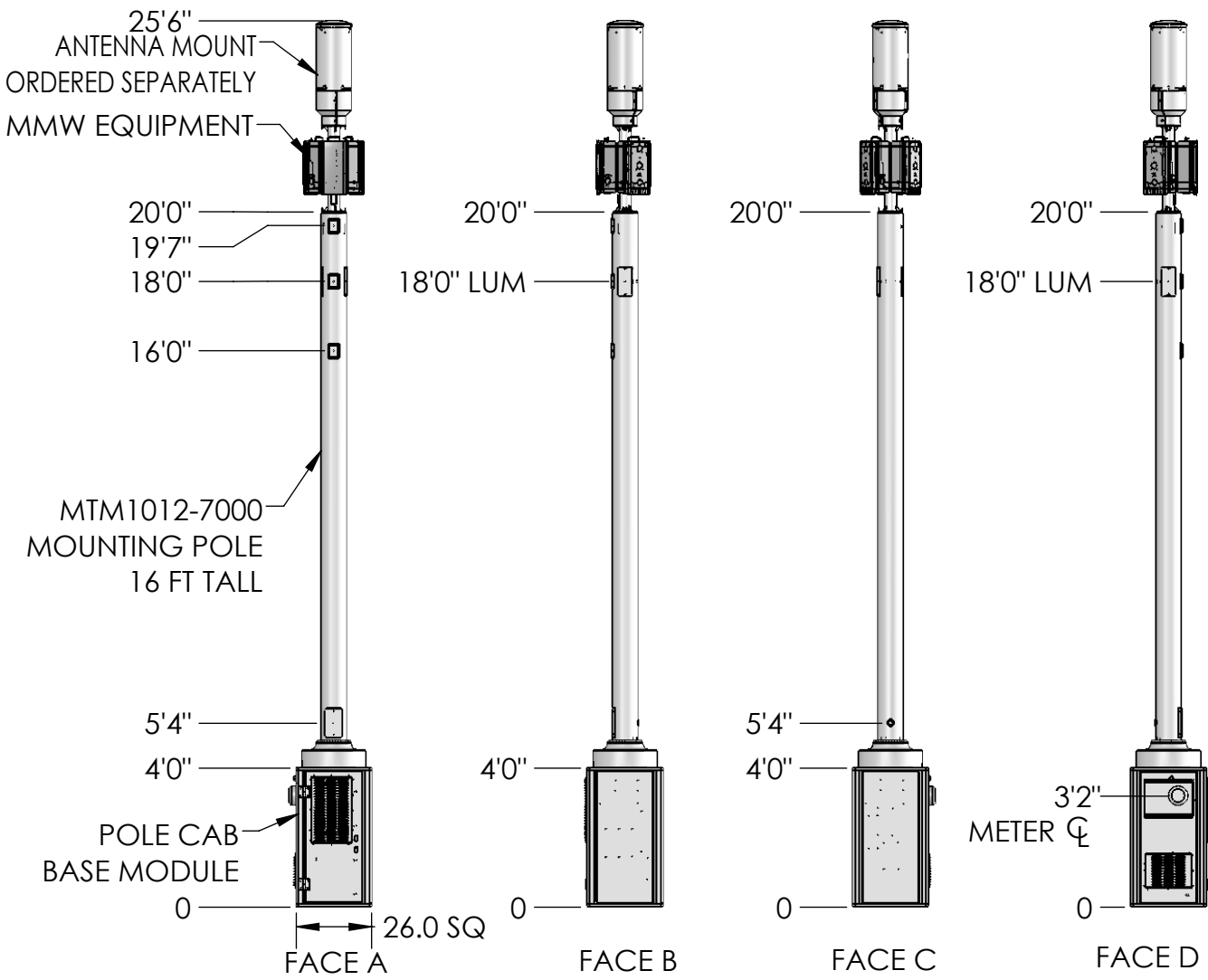
C

B

B

A

A



<p>These drawings and specifications are the proprietary property of CommScope Inc. and may be used only for the specific purpose authorized in writing by CommScope Inc.</p> <p>ALL DIMENSIONS ARE IN INCHES U.O.S. TOLERANCES UNLESS OTHERWISE SPECIFIED:</p> <p>.X = ± .12 ANGLES ±2°          .XX = ± .06 FRACTIONS ±1/32          .XXX = ± .031</p> <p>REMOVE BURRS AND BREAK EDGES .005</p> <p>DO NOT SCALE THIS PRINT</p>	DRAWN BY: MJP	SHEET: 3 of 1	PART NUMBER: 760237427xx20xS
	CHECKED BY:	SCALE:	DESCRIPTION: METRO CELL, 26IN POLE CAB SOLUTION
	DATE:	MATERIAL:	DRAWING TYPE:
	REVISION: A	FINISH: WEIGHT:	

4

3

2

1

4

3

2

1

D

D

C

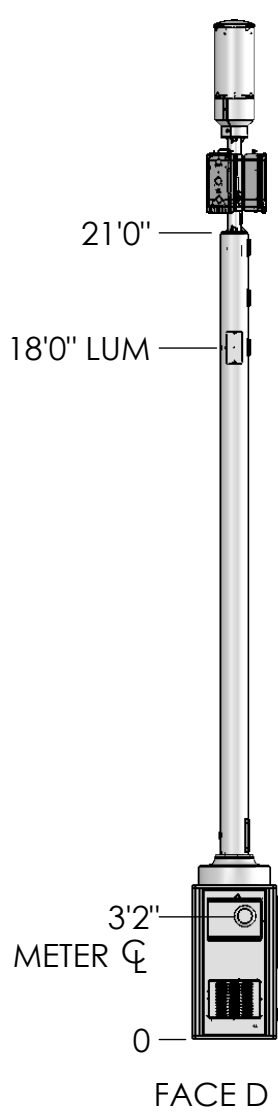
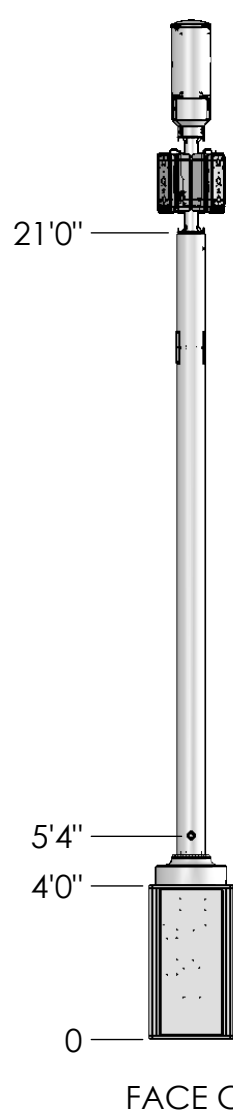
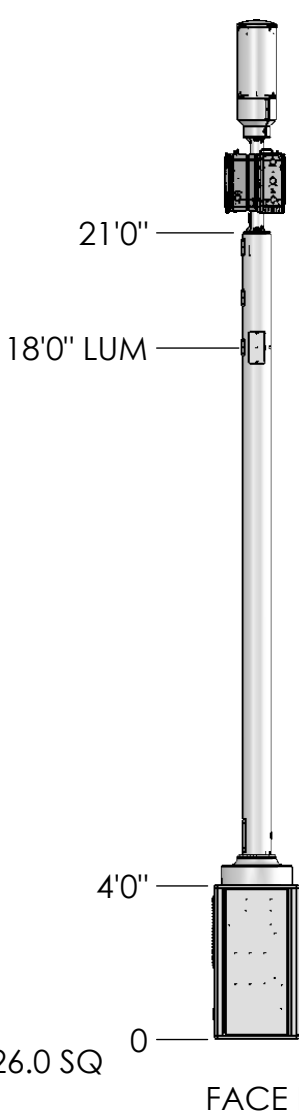
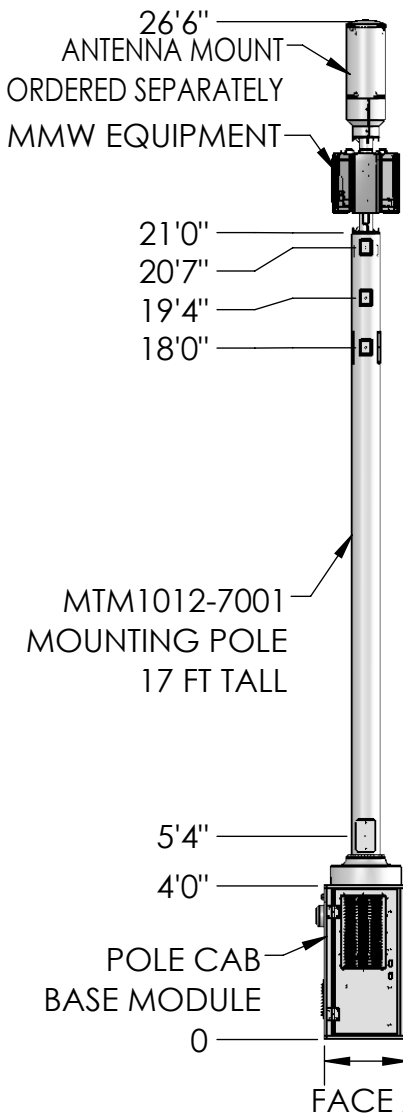
C

B

B

A

A



These drawings and specifications are the proprietary property of CommScope Inc. and may be used only for the specific purpose authorized in writing by CommScope Inc.

DRAWN BY: MJP

SHEET: 4 of 1

PART NUMBER: 760237427xx21xs

CHECKED BY:

SCALE:

DESCRIPTION: METRO CELL, 26IN POLE CAB SOLUTION

DATE:

MATERIAL:

DRAWING TYPE:

REVISION: A

FINISH:

COMMSCOPE®

WEIGHT:

ALL DIMENSIONS ARE IN INCHES U.O.S.  
TOLERANCES UNLESS OTHERWISE SPECIFIED:  
.X = ± .12 ANGLES ±2°  
.XX = ± .06 FRACTIONS ±1/32  
.XXX = ± .031

REMOVE BURRS AND BREAK EDGES .005

DO NOT SCALE THIS PRINT

4

3

2

1

4

3

2

1

D

D

C

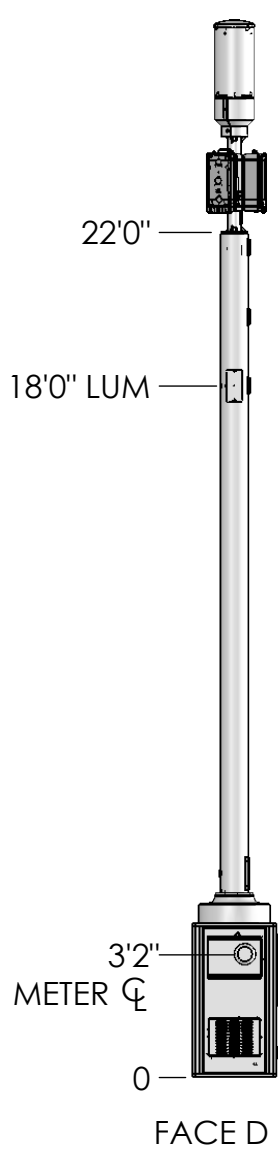
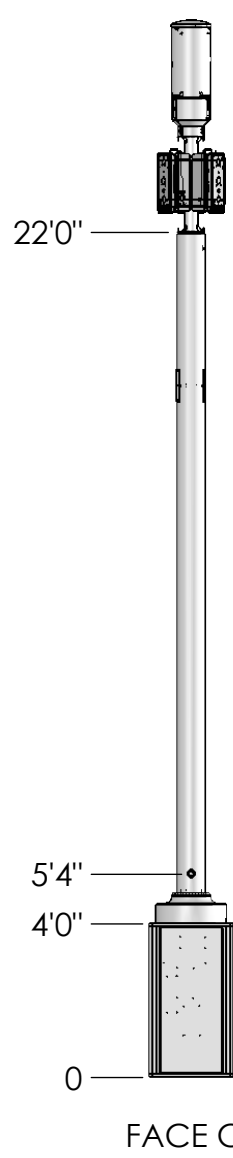
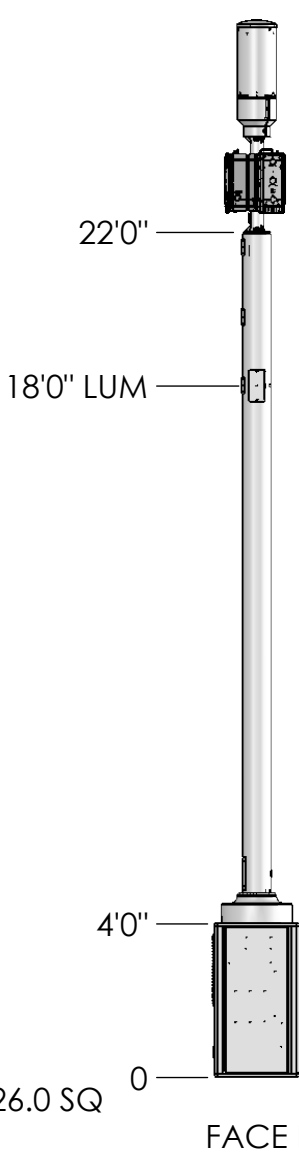
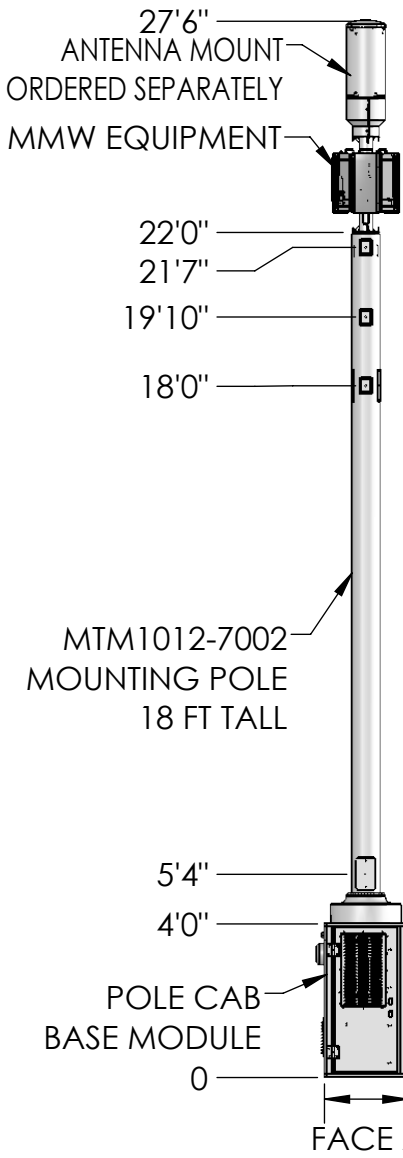
C

B

B

A

A



These drawings and specifications are the proprietary property of CommScope Inc. and may be used only for the specific purpose authorized in writing by CommScope Inc.

DRAWN BY: MJP

SHEET: 5 of 1

PART NUMBER: 760237427xx22xS

CHECKED BY:

SCALE:

DESCRIPTION: METRO CELL, 26IN POLE CAB SOLUTION

DATE:

MATERIAL:

DRAWING TYPE:

REVISION: A

FINISH:

WEIGHT:

COMMSCOPE®

ALL DIMENSIONS ARE IN INCHES U.O.S.  
TOLERANCES UNLESS OTHERWISE SPECIFIED:  
.X = ± .12 ANGLES ±2°  
.XX = ± .06 FRACTIONS ±1/32  
.XXX = ± .031

REMOVE BURRS AND BREAK EDGES .005

DO NOT SCALE THIS PRINT

4

3

2

1

4

3

2

1

D

D

C

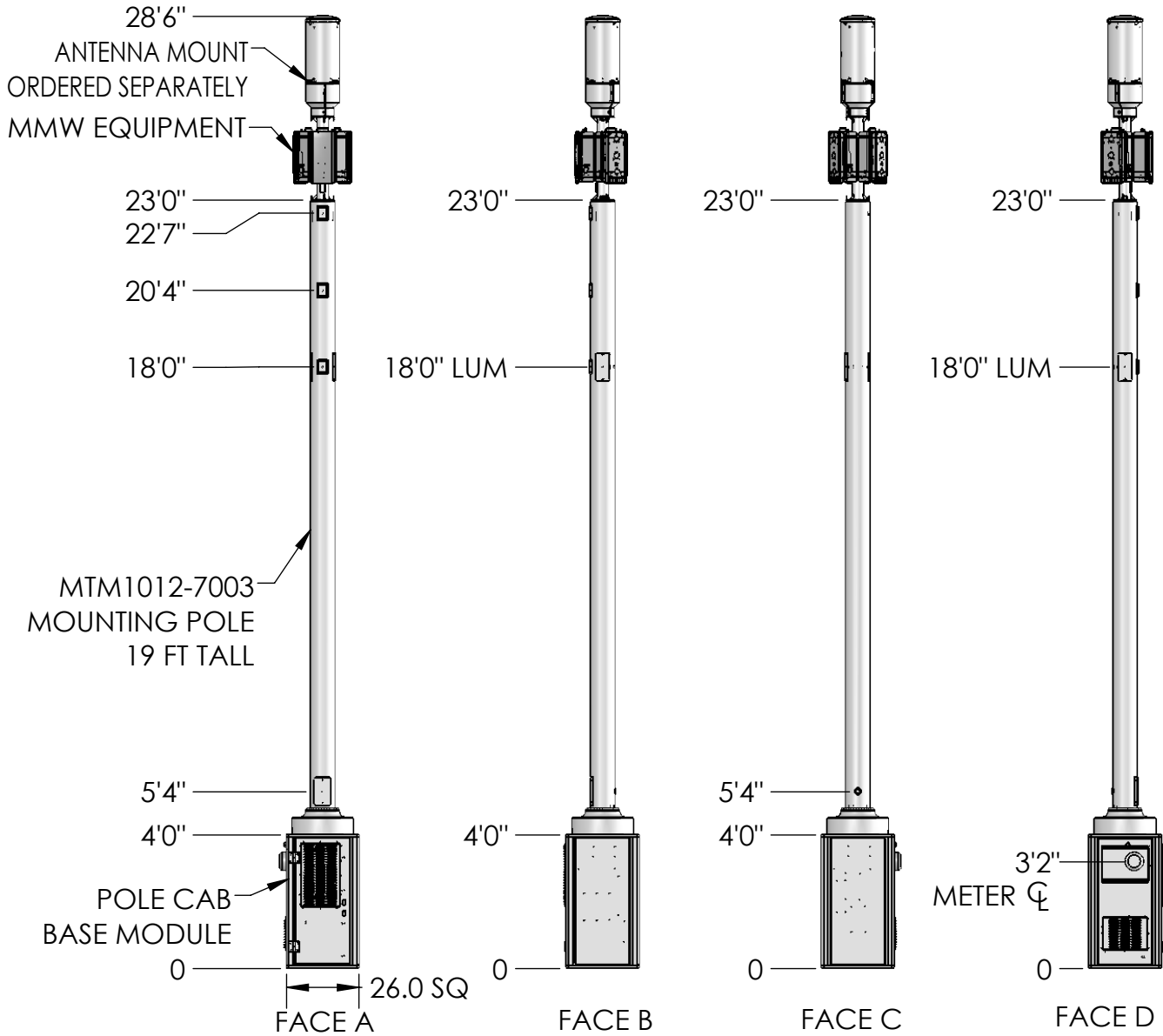
C

B

B

A

A



These drawings and specifications are the proprietary property of CommScope Inc. and may be used only for the specific purpose authorized in writing by CommScope Inc.

DRAWN BY:  
MJP

SHEET:  
6 of 1

PART NUMBER:  
760237427xx23xS

CHECKED BY:

SCALE:

DESCRIPTION:  
METRO CELL, 26IN POLE CAB SOLUTION

DATE:

MATERIAL:

DRAWING TYPE:

REVISION:  
A

FINISH:

WEIGHT:

**COMMSCOPE®**

ALL DIMENSIONS ARE IN INCHES U.O.S.  
TOLERANCES UNLESS OTHERWISE SPECIFIED:

.X = ±	.12	ANGLES	±2°
.XX = ±	.06	FRACTIONS	±1/32
.XXX = ±	.031		

REMOVE BURRS AND BREAK EDGES .005

DO NOT SCALE THIS PRINT

4

3

2

1

4

3

2

1

D

D

C

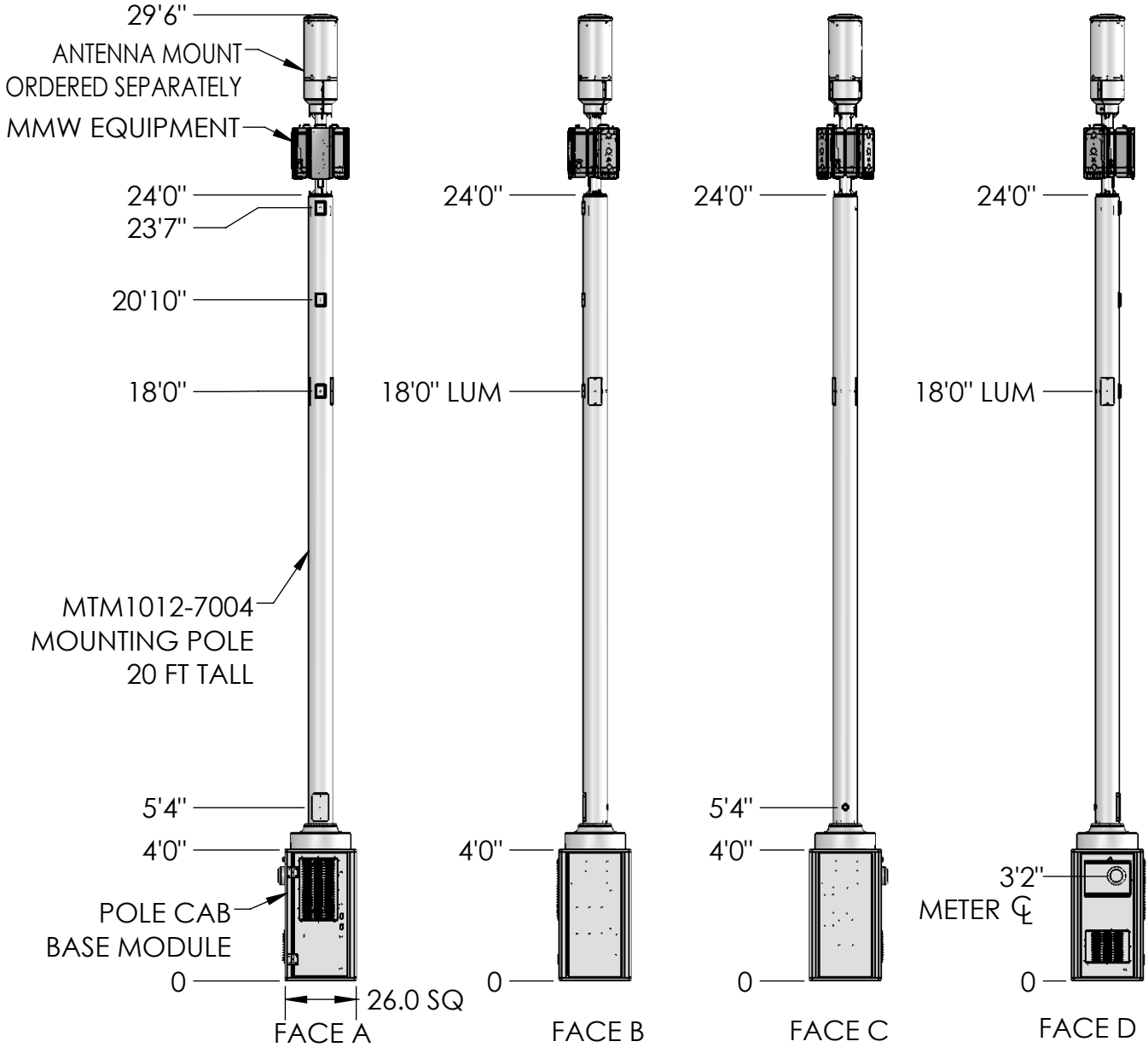
C

B

B

A

A



<p>These drawings and specifications are the proprietary property of CommScope Inc. and may be used only for the specific purpose authorized in writing by CommScope Inc.</p> <p>ALL DIMENSIONS ARE IN INCHES U.O.S. TOLERANCES UNLESS OTHERWISE SPECIFIED:</p> <p>.X = ± .12 ANGLES ±2°          .XX = ± .06 FRACTIONS ±1/32          .XXX = ± .031</p> <p>REMOVE BURRS AND BREAK EDGES .005</p> <p>DO NOT SCALE THIS PRINT</p>	DRAWN BY: MJP	SHEET: 7 of 1	PART NUMBER: 760237427xx24xS
	CHECKED BY:	SCALE:	DESCRIPTION: METRO CELL, 26IN POLE CAB SOLUTION
	DATE:	MATERIAL:	DRAWING TYPE:
	REVISION: A	FINISH:	WEIGHT:

4

3

2

1

4

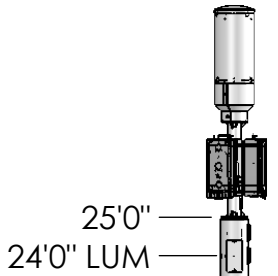
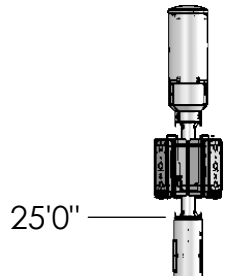
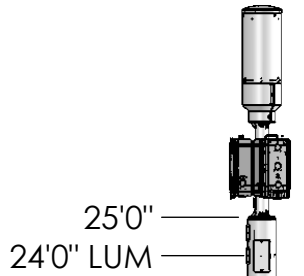
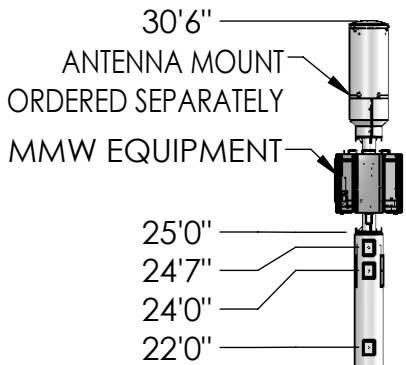
3

2

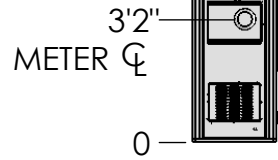
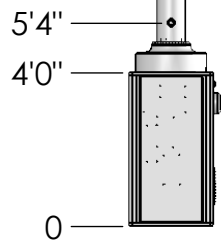
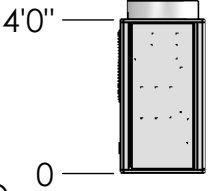
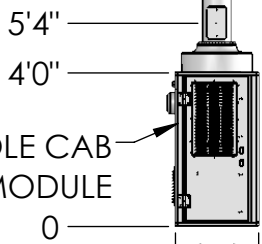
1

D

D



MTM1012-7005  
MOUNTING POLE  
21 FT TALL



26.0 SQ  
FACE A

FACE B

FACE C

FACE D

C

C

B

B

A

A

These drawings and specifications are the proprietary property of CommScope Inc. and may be used only for the specific purpose authorized in writing by CommScope Inc.

DRAWN BY:  
MJP

SHEET:  
8 of 1

PART NUMBER:  
760237427xx25xS

CHECKED BY:

SCALE:

DESCRIPTION:  
METRO CELL, 26IN POLE CAB SOLUTION

DATE:

MATERIAL:

DRAWING TYPE:

REVISION:  
A

FINISH:

WEIGHT:

COMMSCOPE®

ALL DIMENSIONS ARE IN INCHES U.O.S.  
TOLERANCES UNLESS OTHERWISE SPECIFIED:

.X = ± .12 ANGLES ±2°  
.XX = ± .06 FRACTIONS ±1/32  
.XXX = ± .031

REMOVE BURRS AND BREAK EDGES .005

DO NOT SCALE THIS PRINT

4

3

2

1



4

3

2

1

D

D

31'6"  
 ANTENNA MOUNT  
 ORDERED SEPARATELY  
 MMW EQUIPMENT

26'0"  
 25'7"  
 24'0"  
 22'0"

MTM1012-7006  
 MOUNTING POLE  
 22 FT TALL

5'4"  
 4'0"  
 POLE CAB  
 BASE MODULE

0  
 26.0 SQ  
 FACE A

26'0"  
 24'0" LUM

4'0"  
 0  
 FACE B

26'0"

5'4"  
 4'0"  
 0  
 FACE C

26'0"  
 24'0" LUM

3'2"  
 METER  $\varnothing$   
 0  
 FACE D

C

C

B

B

A

A

These drawings and specifications are the proprietary property of CommScope Inc. and may be used only for the specific purpose authorized in writing by CommScope Inc.

DRAWN BY:  
MJP

SHEET:  
9 of 1

PART NUMBER:  
760237427xx26xS

CHECKED BY:

SCALE:

DESCRIPTION:  
METRO CELL, 26IN POLE CAB SOLUTION

DATE:

MATERIAL:

DRAWING TYPE:

ALL DIMENSIONS ARE IN INCHES U.O.S.  
 TOLERANCES UNLESS OTHERWISE SPECIFIED:

.X = ± .12 ANGLES ±2°  
 .XX = ± .06 FRACTIONS ±1/32  
 .XXX = ± .031

REMOVE BURRS AND BREAK EDGES .005

REVISION:  
A

FINISH:

WEIGHT:

COMMSCOPE®

DO NOT SCALE THIS PRINT

4

3

2

1

4

3

2

1

D

D

32'6"  
 ANTENNA MOUNT  
 ORDERED SEPARATELY  
 MMW EQUIPMENT

27'0"  
 26'7"  
 25'4"  
 24'0"

24'0" LUM

27'0"

27'0"

27'0"

24'0" LUM

C

C

MTM1012-7007  
 MOUNTING POLE  
 23 FT TALL

5'4"  
 4'0"

POLE CAB  
 BASE MODULE

0 26.0 SQ

FACE A

4'0"

FACE B

5'4"  
 4'0"

FACE C

3'2"  
 METER  $\varnothing$

0

FACE D

B

B

A

A

These drawings and specifications are the proprietary property of Commscope Inc. and may be used only for the specific purpose authorized in writing by Commscope Inc.

DRAWN BY: MJP

SHEET: 10 of 1

PART NUMBER: 760237427xx27xS

CHECKED BY:

SCALE:

DESCRIPTION: METRO CELL, 26IN POLE CAB SOLUTION

DATE:

MATERIAL:

DRAWING TYPE:

REVISION: A

FINISH:

COMMSCOPE®

WEIGHT:

REMOVE BURRS AND BREAK EDGES .005

DO NOT SCALE THIS PRINT

4

3

2

1

4

3

2

1

D

D

33'6"  
 ANTENNA MOUNT  
 ORDERED SEPARATELY  
 MMW EQUIPMENT

28'0"  
 27'7"  
 25'10"  
 24'0"

24'0" LUM

28'0"

28'0"

28'0"

24'0" LUM

C

C

MTM1012-7008  
 MOUNTING POLE  
 24 FT TALL

5'4"  
 4'0"

POLE CAB  
 BASE MODULE

0 26.0 SQ

FACE A

4'0"

FACE B

5'4"  
 4'0"

FACE C

3'2"  
 METER  $\varnothing$

0

FACE D

B

B

A

A

These drawings and specifications are the proprietary property of Commscope Inc. and may be used only for the specific purpose authorized in writing by Commscope Inc.

DRAWN BY:  
 MJP

SHEET:  
 11 of 1

PART NUMBER:  
 760237427xx28xS

CHECKED BY:

SCALE:

DESCRIPTION:  
 METRO CELL, 26IN POLE CAB SOLUTION

DATE:

MATERIAL:

DRAWING TYPE:

ALL DIMENSIONS ARE IN INCHES U.O.S.  
 TOLERANCES UNLESS OTHERWISE SPECIFIED:

.X = ± .12 ANGLES ±2°  
 .XX = ± .06 FRACTIONS ±1/32  
 .XXX = ± .031

REMOVE BURRS AND BREAK EDGES .005

REVISION:  
 A

FINISH:

WEIGHT:

COMMSCOPE®

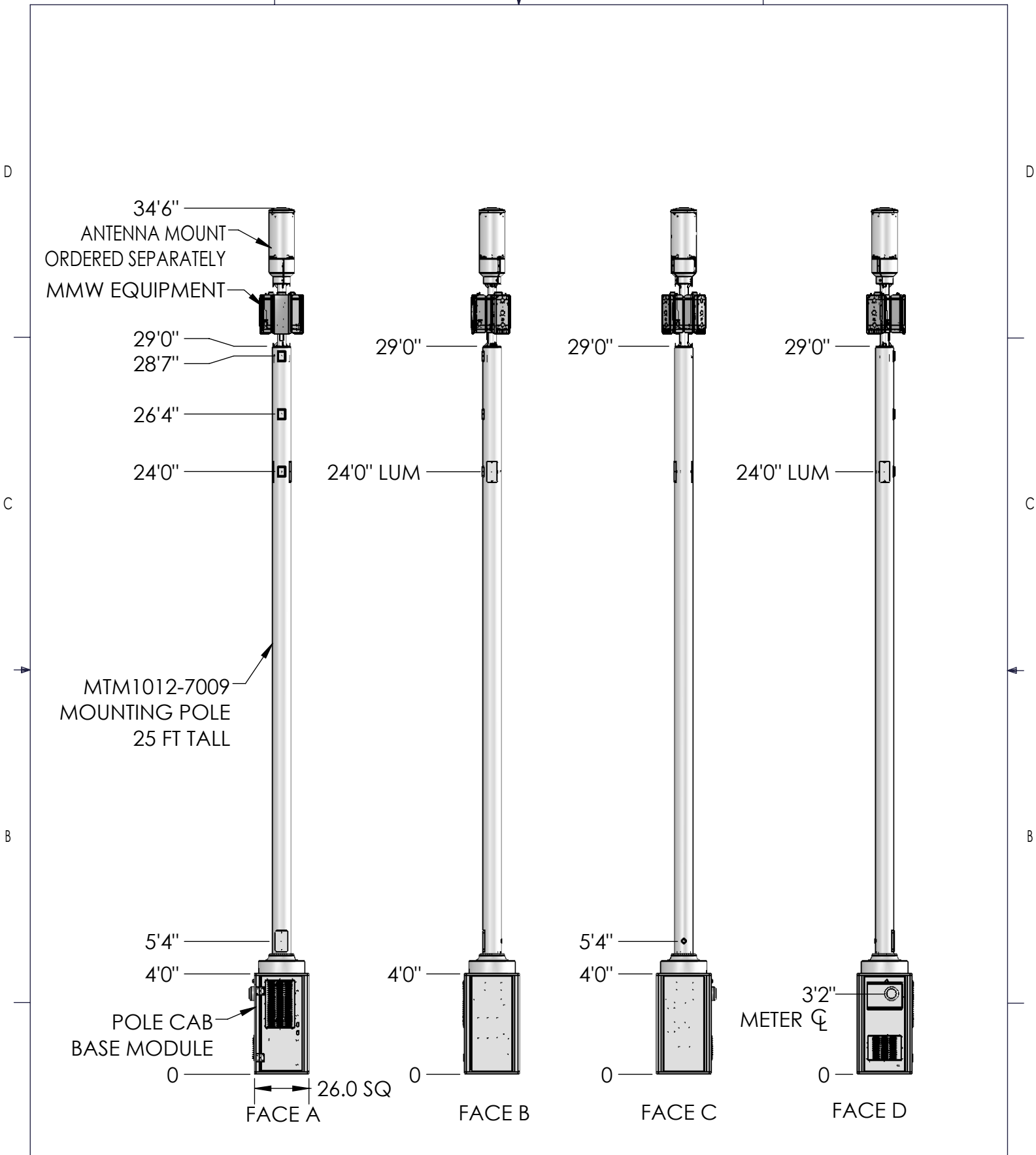
DO NOT SCALE THIS PRINT

4

3

2

1



<p>These drawings and specifications are the proprietary property of CommScope Inc. and may be used only for the specific purpose authorized in writing by CommScope Inc.</p> <p>ALL DIMENSIONS ARE IN INCHES U.O.S. TOLERANCES UNLESS OTHERWISE SPECIFIED:</p> <p>.X = ± .12 ANGLES ±2° .XX = ± .06 FRACTIONS ±1/32 .XXX = ± .031</p> <p>REMOVE BURRS AND BREAK EDGES .005</p> <p>DO NOT SCALE THIS PRINT</p>	<p>DRAWN BY: MJP</p>	<p>SHEET: 12 of 1</p>	<p>PART NUMBER: 760237427xx29xS</p>
	<p>CHECKED BY:</p>	<p>SCALE:</p>	<p>DESCRIPTION: METRO CELL, 26IN POLE CAB SOLUTION</p>
	<p>DATE:</p>	<p>MATERIAL:</p>	<p>DRAWING TYPE:</p>
	<p>REVISION: A</p>	<p>FINISH:</p>	<p><b>COMMSCOPE®</b></p>
		<p>WEIGHT:</p>	

4

3

2

1

D

D

35'6"  
 ANTENNA MOUNT  
 ORDERED SEPARATELY  
 MMW EQUIPMENT

30'0"  
 29'7"

30'0"

30'0"

30'0"

26'10"

24'0"

24'0" LUM

24'0" LUM

C

C

MTM1012-7010  
 MOUNTING POLE  
 26 FT TALL

5'4"  
 4'0"

4'0"

5'4"  
 4'0"

3'2"  
 METER  $\phi$

POLE CAB  
 BASE MODULE

0

0

0

0

26.0 SQ  
 FACE A

FACE B

FACE C

FACE D

B

B

A

A

These drawings and specifications are the proprietary property of CommScope Inc. and may be used only for the specific purpose authorized in writing by CommScope Inc.

DRAWN BY:  
 MJP

SHEET:  
 13 of 1

PART NUMBER:  
 760237427xx30xS

CHECKED BY:

SCALE:

DESCRIPTION:  
 METRO CELL, 26IN POLE CAB SOLUTION

DATE:

MATERIAL:

DRAWING TYPE:

ALL DIMENSIONS ARE IN INCHES U.O.S.  
 TOLERANCES UNLESS OTHERWISE SPECIFIED:  
 .X = ± .12 ANGLES ±2°  
 .XX = ± .06 FRACTIONS ±1/32  
 .XXX = ± .031

REMOVE BURRS AND BREAK EDGES .005

REVISION:  
 A

FINISH:

WEIGHT:

COMMSCOPE®

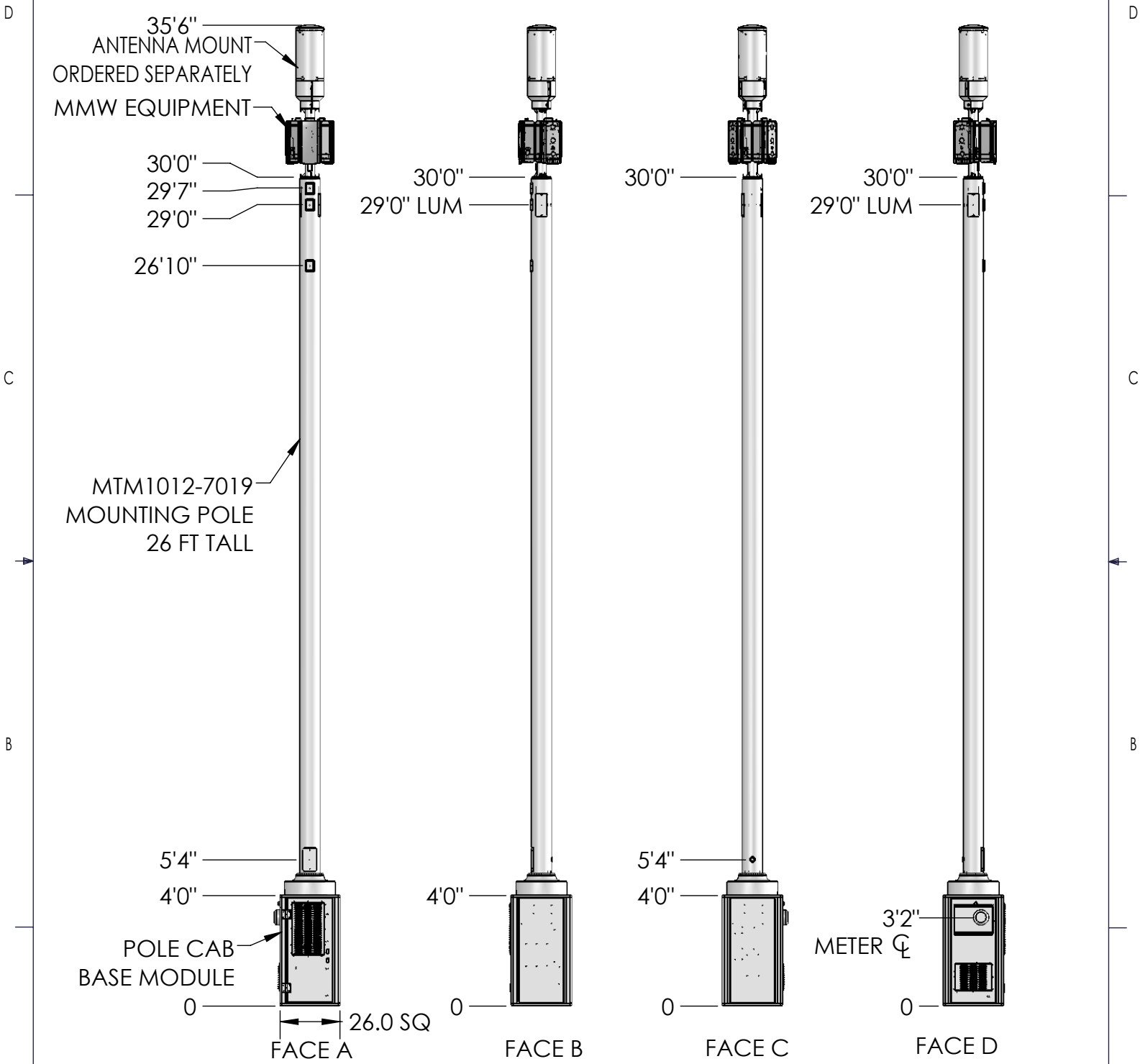
DO NOT SCALE THIS PRINT

4

3

2

1



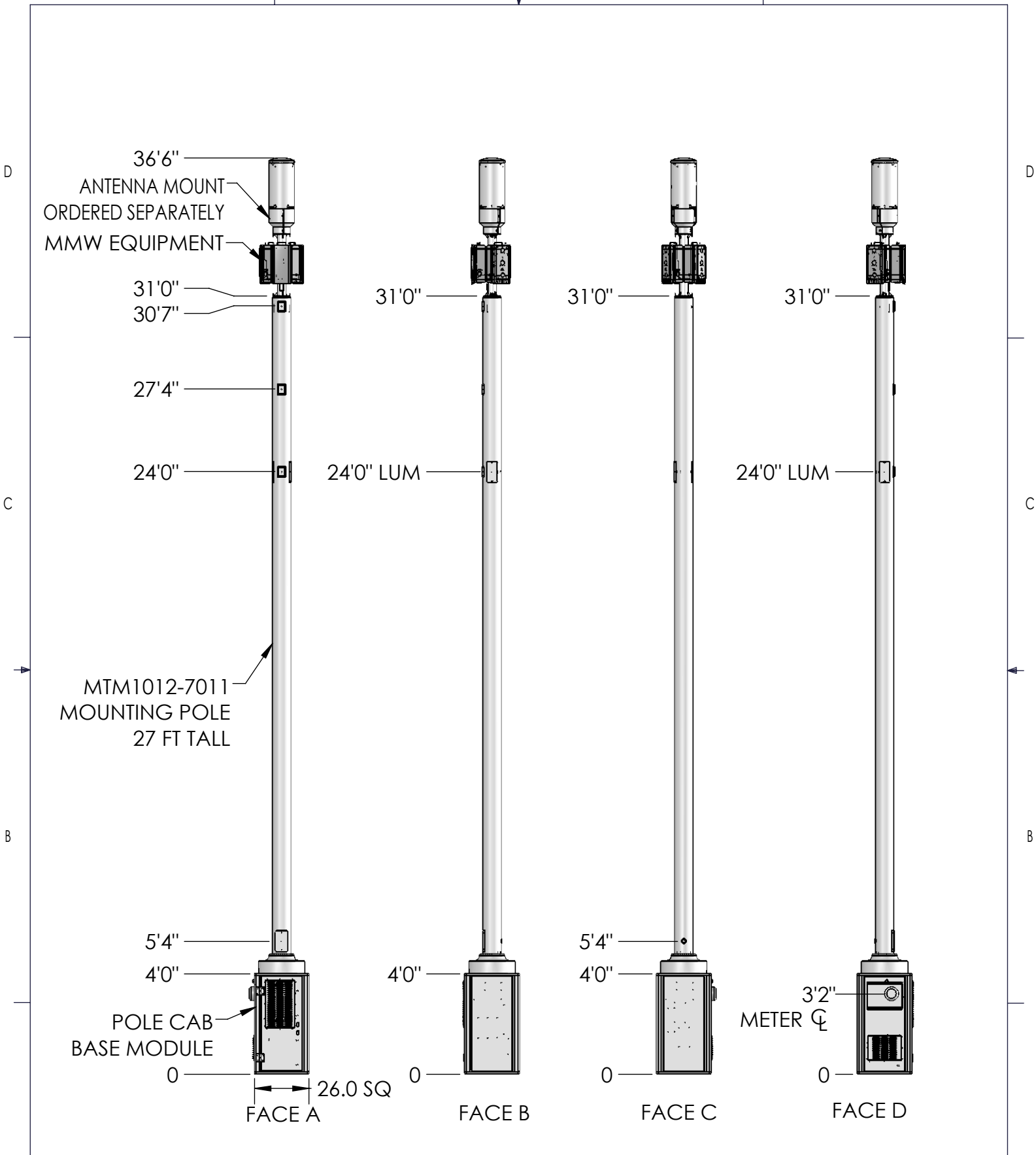
These drawings and specifications are the proprietary property of CommScope Inc. and may be used only for the specific purpose authorized in writing by CommScope Inc.

ALL DIMENSIONS ARE IN INCHES U.O.S.  
TOLERANCES UNLESS OTHERWISE SPECIFIED:  
.X = ± .12 ANGLES ±2°  
.XX = ± .06 FRACTIONS ±1/32  
.XXX = ± .031

REMOVE BURRS AND BREAK EDGES .005

DO NOT SCALE THIS PRINT

DRAWN BY: MJP	SHEET: 14 of 1	PART NUMBER: 760237427xx30xS-2
CHECKED BY:	SCALE:	DESCRIPTION: METRO CELL, 26IN POLE CAB SOLUTION
DATE:	MATERIAL:	DRAWING TYPE:
REVISION: A	FINISH:	<b>COMMSCOPE®</b>
	WEIGHT:	



<p>These drawings and specifications are the proprietary property of CommScope Inc. and may be used only for the specific purpose authorized in writing by CommScope Inc.</p> <p>ALL DIMENSIONS ARE IN INCHES U.O.S. TOLERANCES UNLESS OTHERWISE SPECIFIED:</p> <p>.X = ± .12 ANGLES ±2°          .XX = ± .06 FRACTIONS ±1/32          .XXX = ± .031</p> <p>REMOVE BURRS AND BREAK EDGES .005</p> <p>DO NOT SCALE THIS PRINT</p>	DRAWN BY: MJP	SHEET: 15 of 1	PART NUMBER: 760237427xx31xS
	CHECKED BY:	SCALE:	DESCRIPTION: METRO CELL, 26IN POLE CAB SOLUTION
	DATE:	MATERIAL:	DRAWING TYPE:
	REVISION: A	FINISH:	
		WEIGHT:	

4

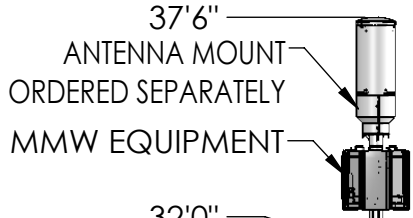
3

2

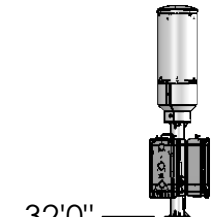
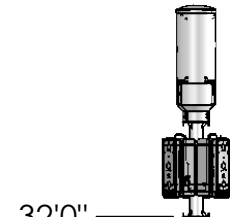
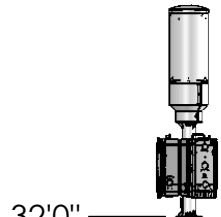
1

D

D



32'0"  
31'7"



27'10"

24'0"

24'0" LUM

24'0" LUM

C

C

MTM1012-7012 MOUNTING POLE 28 FT TALL

5'4"

4'0"

4'0"

5'4"

4'0"

3'2" METER  $\phi$

POLE CAB BASE MODULE

0 26.0 SQ

FACE A

FACE B

FACE C

FACE D

B

B

A

A

These drawings and specifications are the proprietary property of CommScope Inc. and may be used only for the specific purpose authorized in writing by CommScope Inc.

DRAWN BY: MJP

SHEET: 16 of 1

PART NUMBER: 760237427xx32xS

CHECKED BY:

SCALE:

DESCRIPTION: METRO CELL, 26IN POLE CAB SOLUTION

DATE:

MATERIAL:

DRAWING TYPE:

REVISION: A

FINISH:

WEIGHT:

COMMSCOPE®

ALL DIMENSIONS ARE IN INCHES U.O.S. TOLERANCES UNLESS OTHERWISE SPECIFIED:

.X = ± .12 ANGLES ±2°  
.XX = ± .06 FRACTIONS ±1/32  
.XXX = ± .031

REMOVE BURRS AND BREAK EDGES .005

DO NOT SCALE THIS PRINT

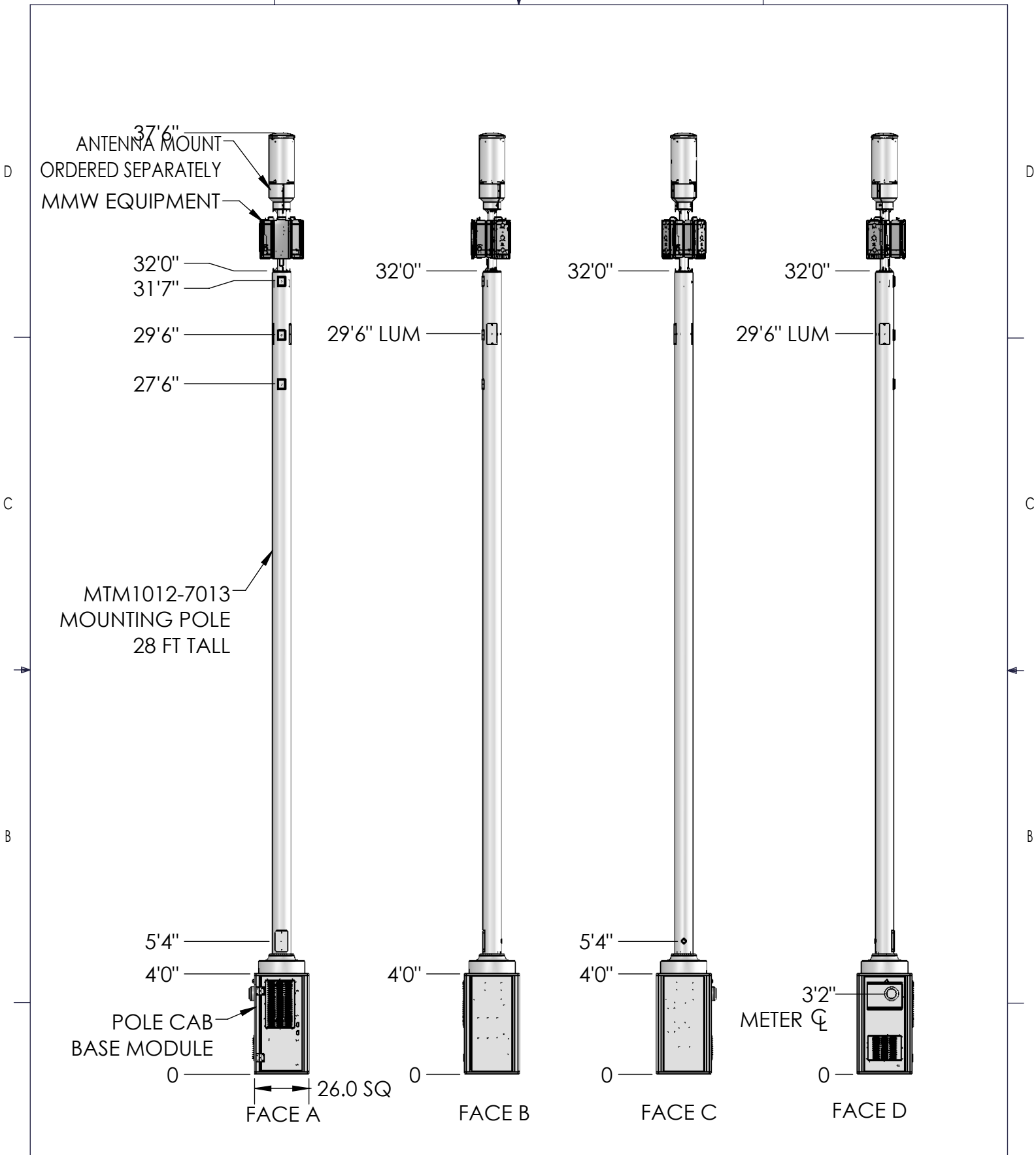
4

3

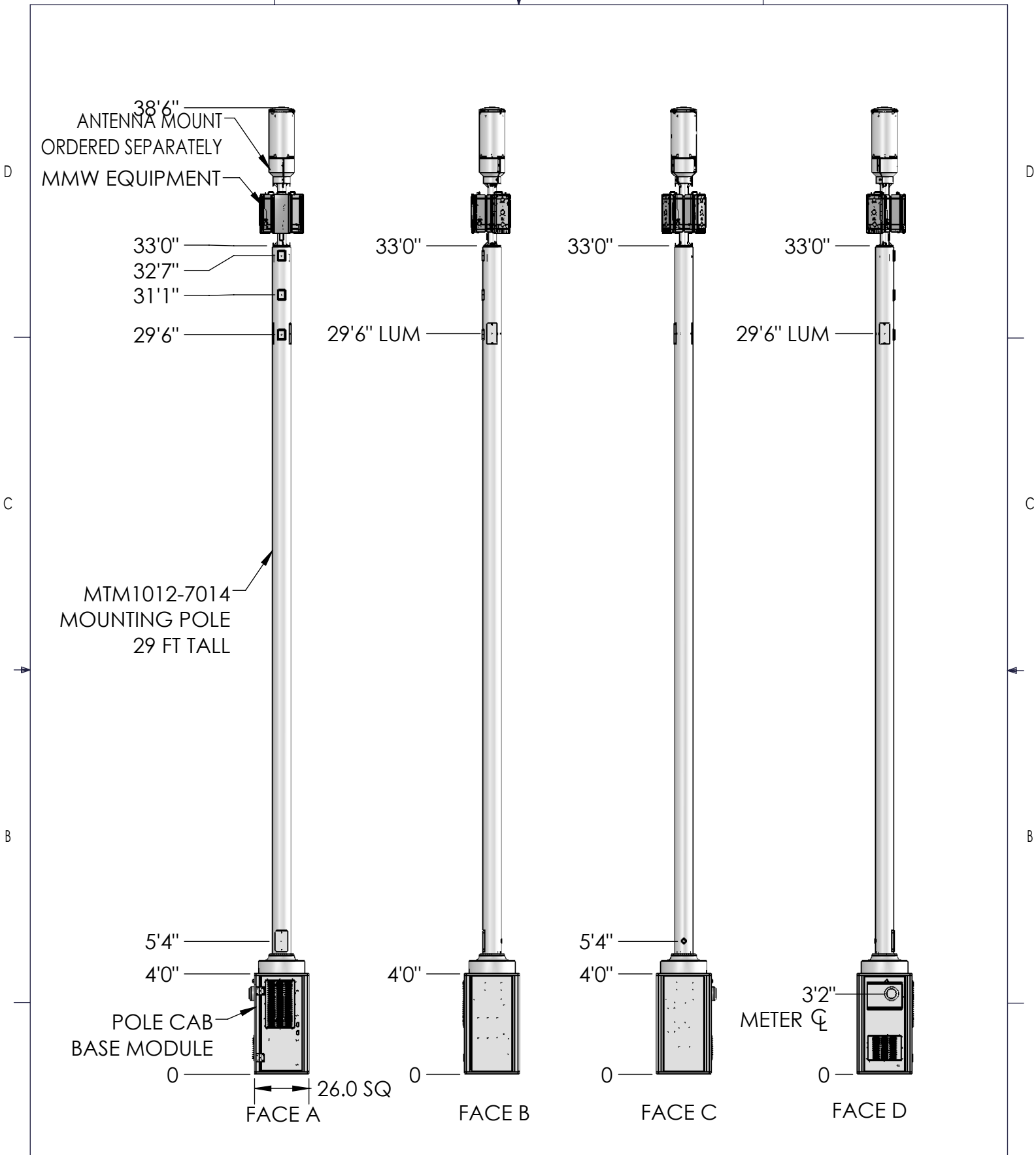
2

1





<p>These drawings and specifications are the proprietary property of CommScope Inc. and may be used only for the specific purpose authorized in writing by CommScope Inc.</p> <p>ALL DIMENSIONS ARE IN INCHES U.O.S. TOLERANCES UNLESS OTHERWISE SPECIFIED:</p> <p>.X = ± .12 ANGLES ±2°</p> <p>.XX = ± .06 FRACTIONS ±1/32</p> <p>.XXX = ± .031</p> <p>REMOVE BURRS AND BREAK EDGES .005</p> <p>DO NOT SCALE THIS PRINT</p>	<p>DRAWN BY: MJP</p>	<p>SHEET: 17 of 1</p>	<p>PART NUMBER: 760237427xx32xS-2</p>
	<p>CHECKED BY:</p>	<p>SCALE:</p>	<p>DESCRIPTION: METRO CELL, 26IN POLE CAB SOLUTION</p>
	<p>DATE:</p>	<p>MATERIAL:</p>	<p>DRAWING TYPE:</p>
	<p>REVISION: A</p>	<p>FINISH:</p>	<p>WEIGHT:</p>



<p>These drawings and specifications are the proprietary property of CommScope Inc. and may be used only for the specific purpose authorized in writing by CommScope Inc.</p> <p>ALL DIMENSIONS ARE IN INCHES U.O.S. TOLERANCES UNLESS OTHERWISE SPECIFIED:</p> <p>.X = ± .12      ANGLES      ±2°          .XX = ± .06      FRACTIONS      ±1/32          .XXX = ± .031</p> <p>REMOVE BURRS AND BREAK EDGES .005</p> <p>DO NOT SCALE THIS PRINT</p>	DRAWN BY: MJP	SHEET: 18 of 1	PART NUMBER: 760237427xx33xS
	CHECKED BY:	SCALE:	DESCRIPTION: METRO CELL, 26IN POLE CAB SOLUTION
	DATE:	MATERIAL:	DRAWING TYPE:
	REVISION: A	FINISH:	
	WEIGHT:		

4

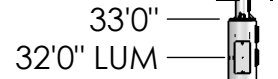
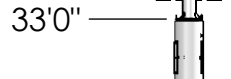
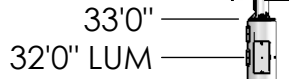
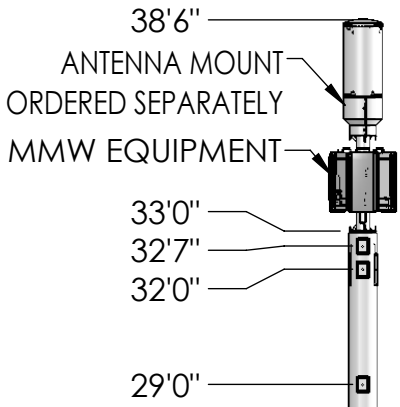
3

2

1

D

D



C

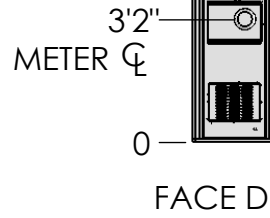
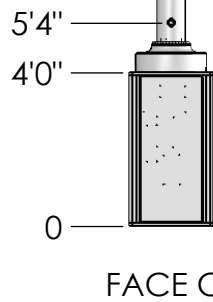
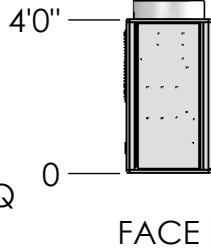
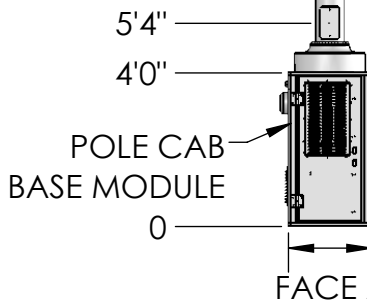
C

B

B

A

A



These drawings and specifications are the proprietary property of CommScope Inc. and may be used only for the specific purpose authorized in writing by CommScope Inc.

DRAWN BY: MJP

SHEET: 19 of 1

PART NUMBER: 760237427xx33xS-2

CHECKED BY:

SCALE:

DESCRIPTION: METRO CELL, 26IN POLE CAB SOLUTION

DATE:

MATERIAL:

DRAWING TYPE:

REVISION: A

FINISH:

COMMSCOPE®

WEIGHT:

REMOVE BURRS AND BREAK EDGES .005

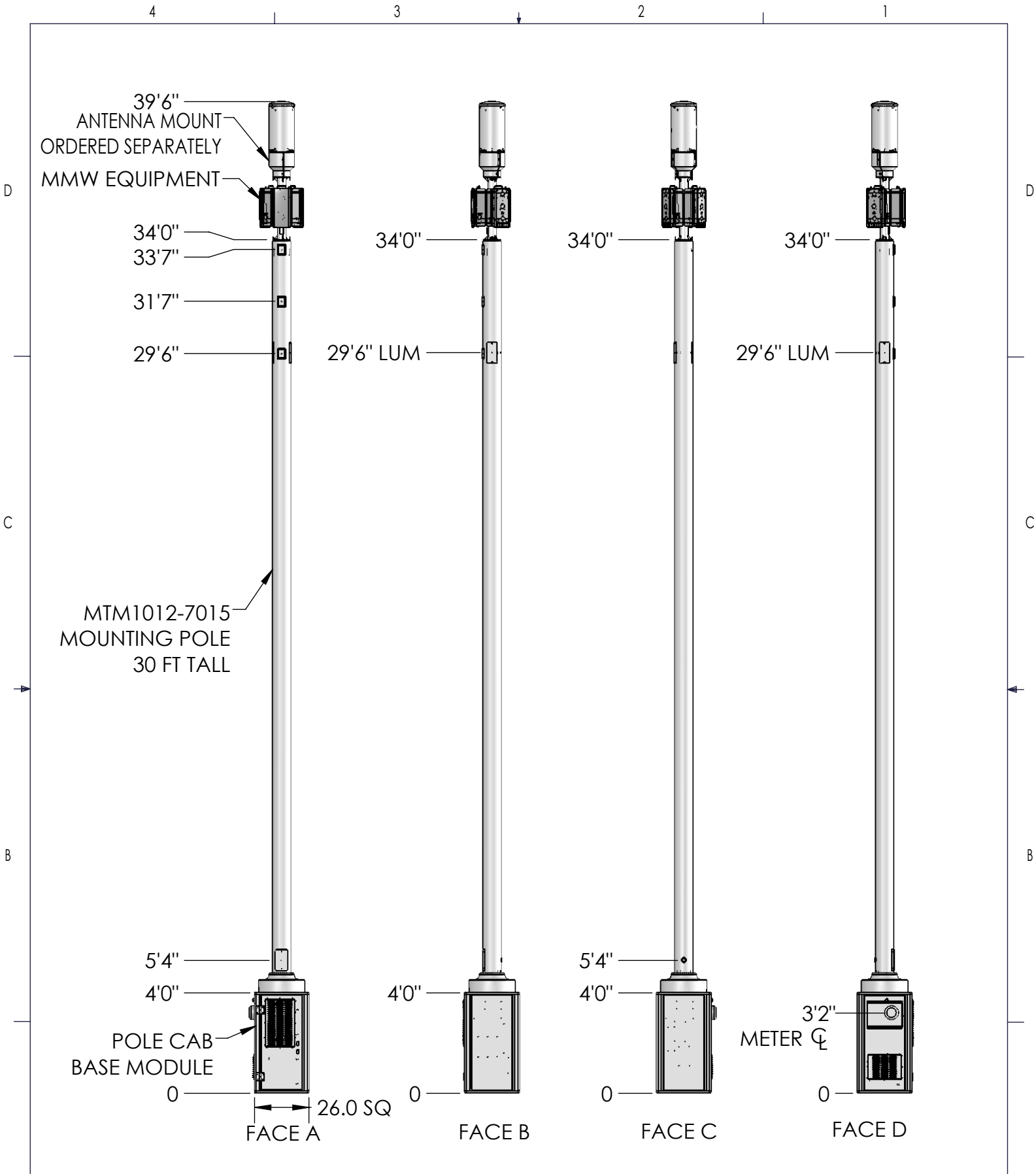
DO NOT SCALE THIS PRINT

4

3

2

1



These drawings and specifications are the proprietary property of CommScope Inc. and may be used only for the specific purpose authorized in writing by CommScope Inc.

DRAWN BY: MJP  
 CHECKED BY:  
 DATE:  
 REVISION: A

SHEET: 20 of 1  
 SCALE:  
 MATERIAL:  
 FINISH:  
 WEIGHT:

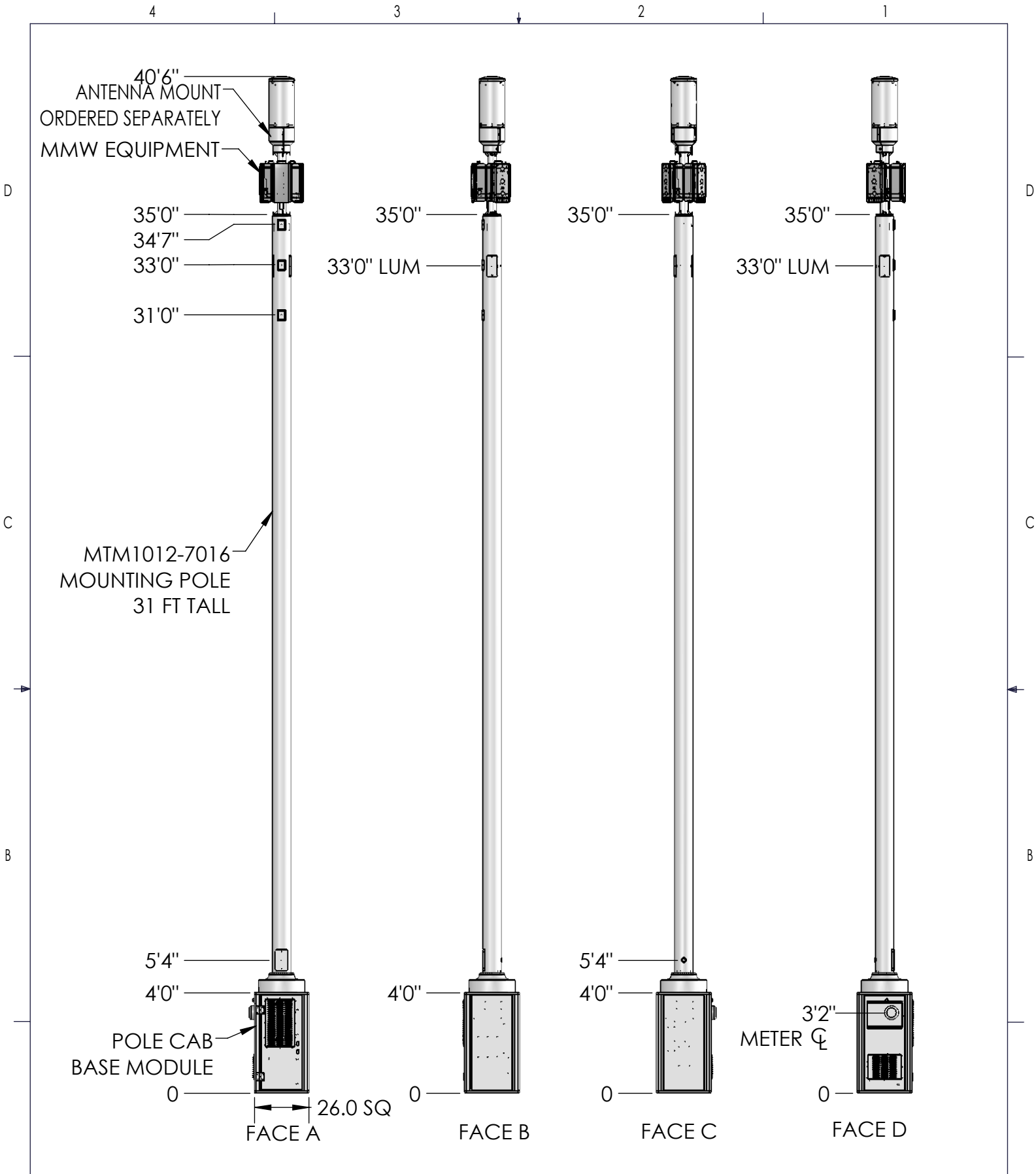
PART NUMBER: 760237427xx34xS  
 DESCRIPTION: METRO CELL, 26IN POLE CAB SOLUTION  
 DRAWING TYPE:

ALL DIMENSIONS ARE IN INCHES U.O.S.  
 TOLERANCES UNLESS OTHERWISE SPECIFIED:  
 .X = ± .12 ANGLES ±2°  
 .XX = ± .06 FRACTIONS ±1/32  
 .XXX = ± .031

REMOVE BURRS AND BREAK EDGES .005

DO NOT SCALE THIS PRINT





40'6"  
ANTENNA MOUNT  
ORDERED SEPARATELY  
MMW EQUIPMENT

35'0"  
34'7"  
33'0"  
31'0"

35'0"  
33'0" LUM

35'0"

35'0"  
33'0" LUM

MTM1012-7016  
MOUNTING POLE  
31 FT TALL

5'4"  
4'0"  
POLE CAB  
BASE MODULE

4'0"

5'4"  
4'0"

3'2"  
METER  $\phi$

0  
26.0 SQ  
FACE A

FACE B

FACE C

FACE D

These drawings and specifications are the proprietary property of Commscope Inc. and may be used only for the specific purpose authorized in writing by Commscope Inc.

DRAWN BY: MJP

SHEET: 21 of 1

PART NUMBER: 760237427xx35xS

CHECKED BY:

SCALE:

DESCRIPTION: METRO CELL, 26IN POLE CAB SOLUTION

DATE:

MATERIAL:

DRAWING TYPE:

REVISION: A

FINISH:

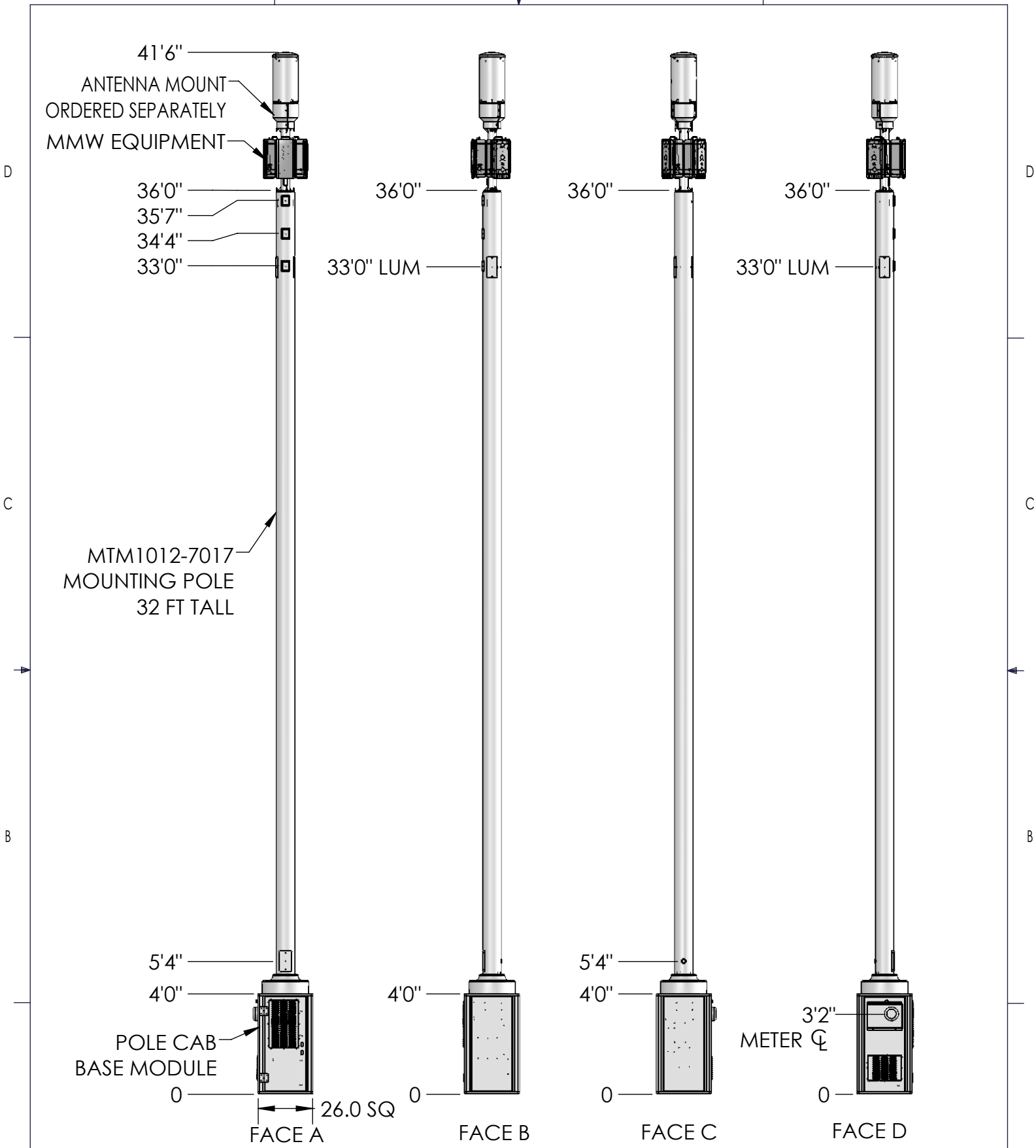
WEIGHT:

COMMSCOPE®

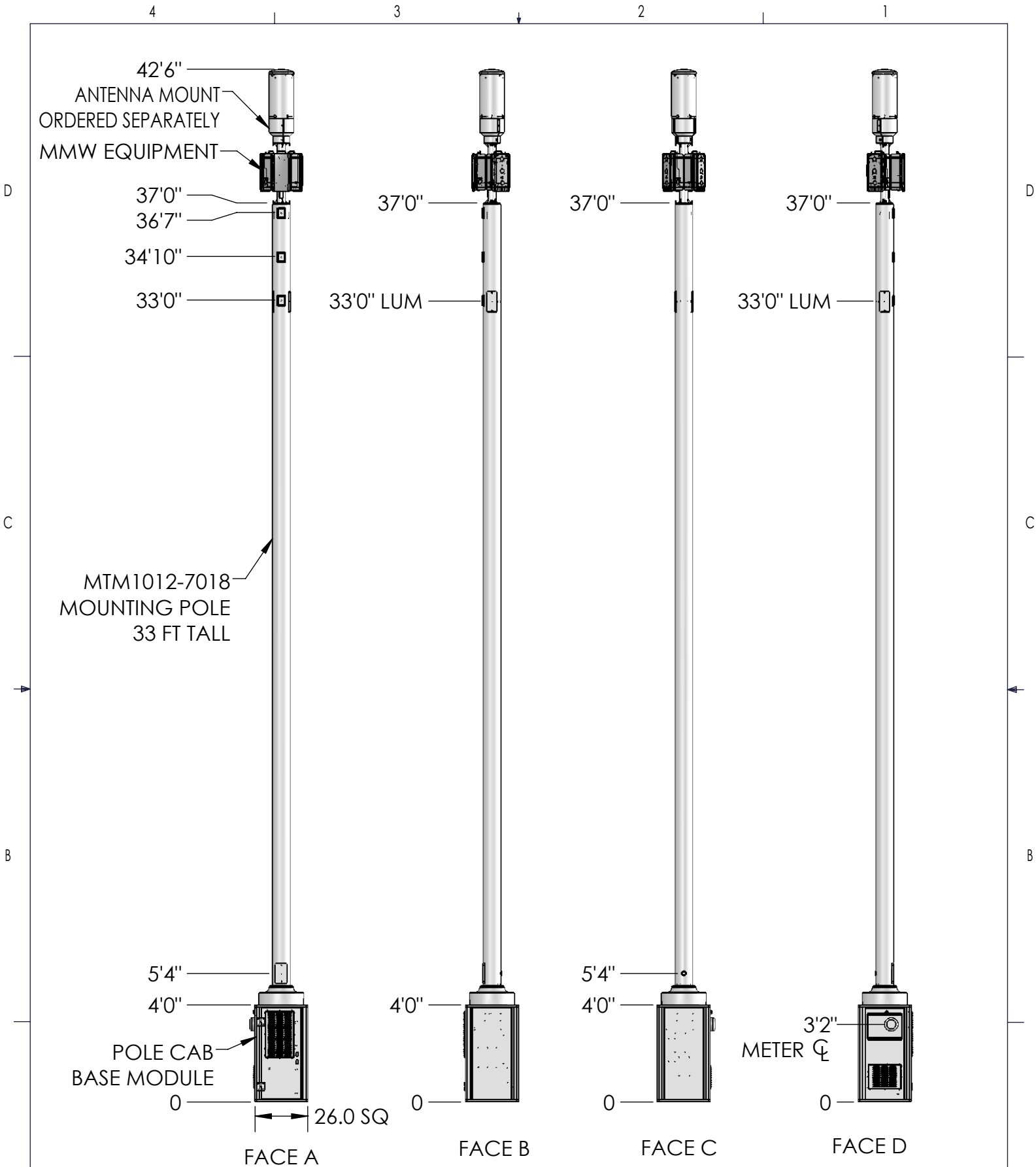
ALL DIMENSIONS ARE IN INCHES U.O.S.  
TOLERANCES UNLESS OTHERWISE SPECIFIED:  
.X = ± .12 ANGLES ±2°  
.XX = ± .06 FRACTIONS ±1/32  
.XXX = ± .031

REMOVE BURRS AND BREAK EDGES .005

DO NOT SCALE THIS PRINT



<p>These drawings and specifications are the proprietary property of CommScope Inc. and may be used only for the specific purpose authorized in writing by CommScope Inc.</p> <p>ALL DIMENSIONS ARE IN INCHES U.O.S. TOLERANCES UNLESS OTHERWISE SPECIFIED:</p> <p>.X = ± .12 ANGLES ±2° .XX = ± .06 FRACTIONS ±1/32 .XXX = ± .031</p> <p>REMOVE BURRS AND BREAK EDGES .005</p> <p>DO NOT SCALE THIS PRINT</p>	<p>DRAWN BY: MJP</p>	<p>SHEET: 22 of 1</p>	<p>PART NUMBER: 760237427xx36xS</p>
	<p>CHECKED BY:</p>	<p>SCALE:</p>	<p>DESCRIPTION: METRO CELL, 26IN POLE CAB SOLUTION</p>
	<p>DATE:</p>	<p>MATERIAL:</p>	<p>DRAWING TYPE:</p>
	<p>REVISION: A</p>	<p>FINISH:</p>	<p>WEIGHT:</p>



These drawings and specifications are the proprietary property of Commscope Inc. and may be used only for the specific purpose authorized in writing by Commscope Inc.

DRAWN BY: MJP	SHEET: 23 of 1
CHECKED BY:	SCALE:
DATE:	MATERIAL:
REVISION: <b>A</b>	FINISH: WEIGHT:

PART NUMBER:  
**760237427xx37xS**

DESCRIPTION:  
**METRO CELL, 26IN POLE CAB SOLUTION**

DRAWING TYPE:

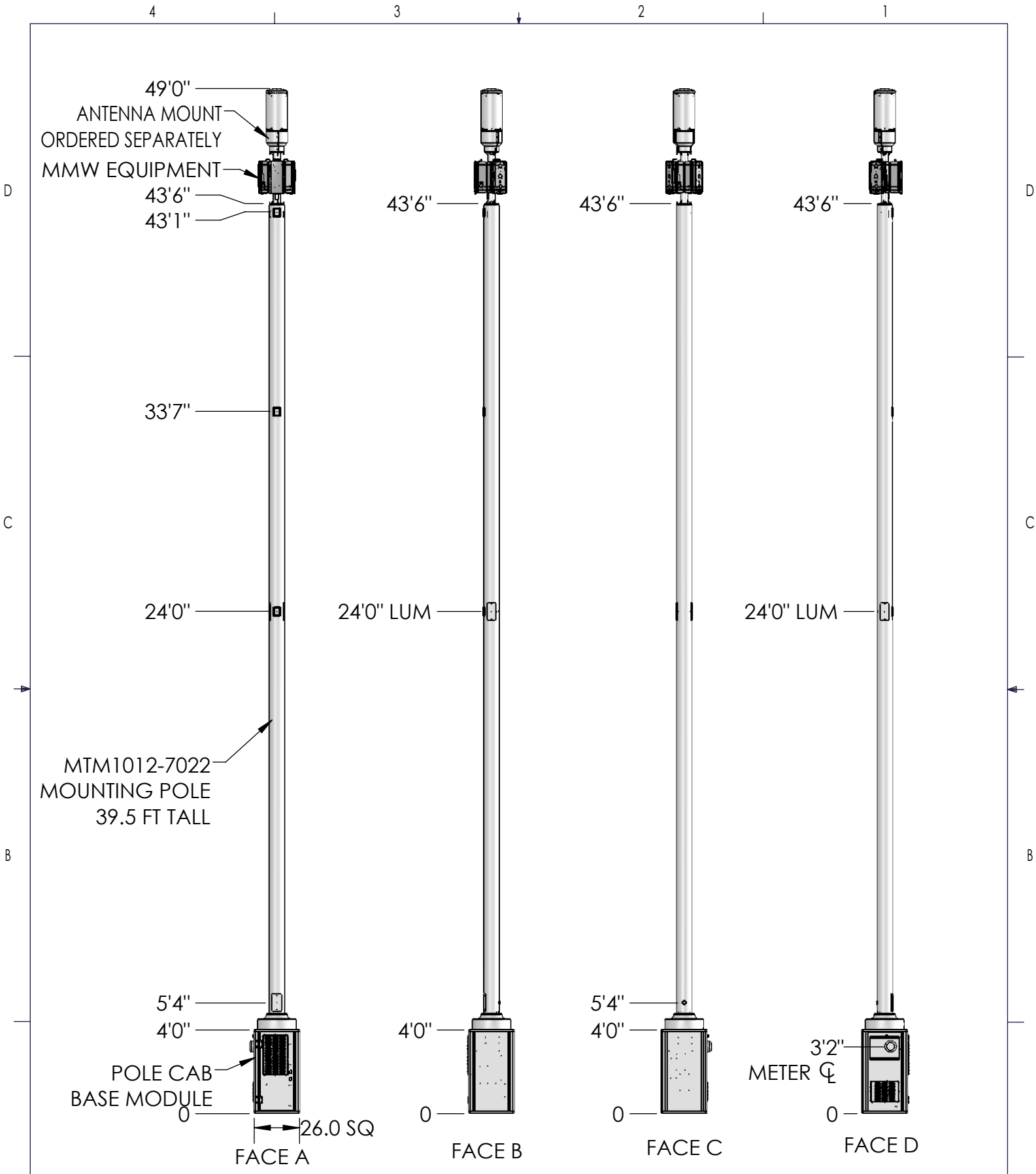
ALL DIMENSIONS ARE IN INCHES U.O.S.  
TOLERANCES UNLESS OTHERWISE SPECIFIED:

.X = ±	.12	ANGLES	±2°
.XX = ±	.06	FRACTIONS	±1/32
.XXX = ±	.031		

REMOVE BURRS AND BREAK EDGES .005

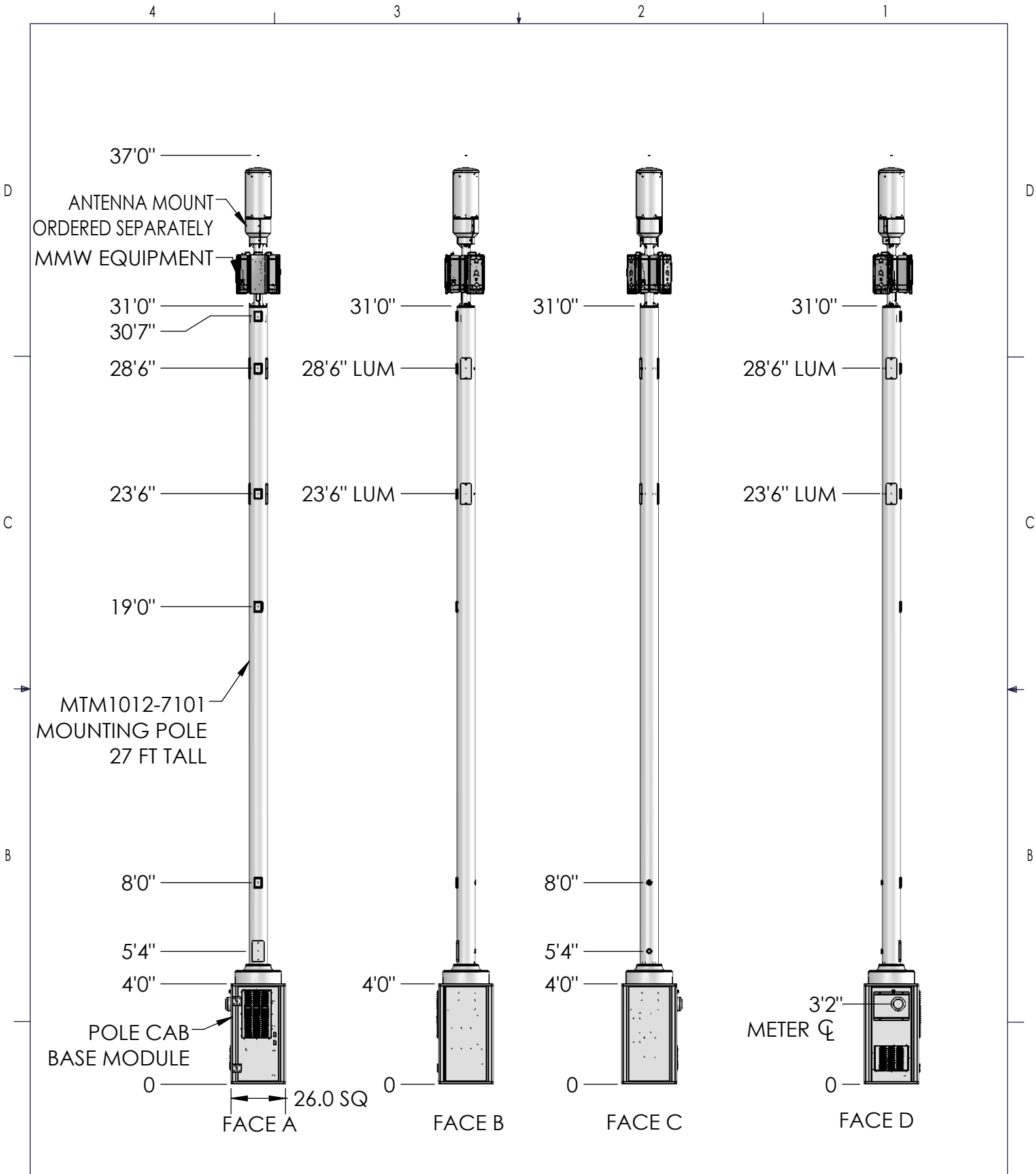
DO NOT SCALE THIS PRINT





<p>These drawings and specifications are the proprietary property of Commscope Inc. and may be used only for the specific purpose authorized in writing by Commscope Inc.</p> <p>ALL DIMENSIONS ARE IN INCHES U.O.S. TOLERANCES UNLESS OTHERWISE SPECIFIED:</p> <p>.X = ± .12 ANGLES ±2°          .XX = ± .06 FRACTIONS ±1/32          .XXX = ± .031</p> <p>REMOVE BURRS AND BREAK EDGES .005</p> <p>DO NOT SCALE THIS PRINT</p>	DRAWN BY: MJP	SHEET: 24 of 1	PART NUMBER: 760237427xx44xS
	CHECKED BY:	SCALE:	DESCRIPTION: METRO CELL, 26IN POLE CAB SOLUTION
	DATE:	MATERIAL:	DRAWING TYPE:
	REVISION: A	FINISH:  WEIGHT:	





These drawings and specifications are the proprietary property of Commscope Inc. and may be used only for the specific purpose authorized in writing by Commscope Inc.

ALL DIMENSIONS ARE IN INCHES U.O.S. TOLERANCES UNLESS OTHERWISE SPECIFIED:

.X = ±	.12	ANGLES	±2°
.XX = ±	.06	FRACTIONS	±1/32
.XXX = ±	.031		

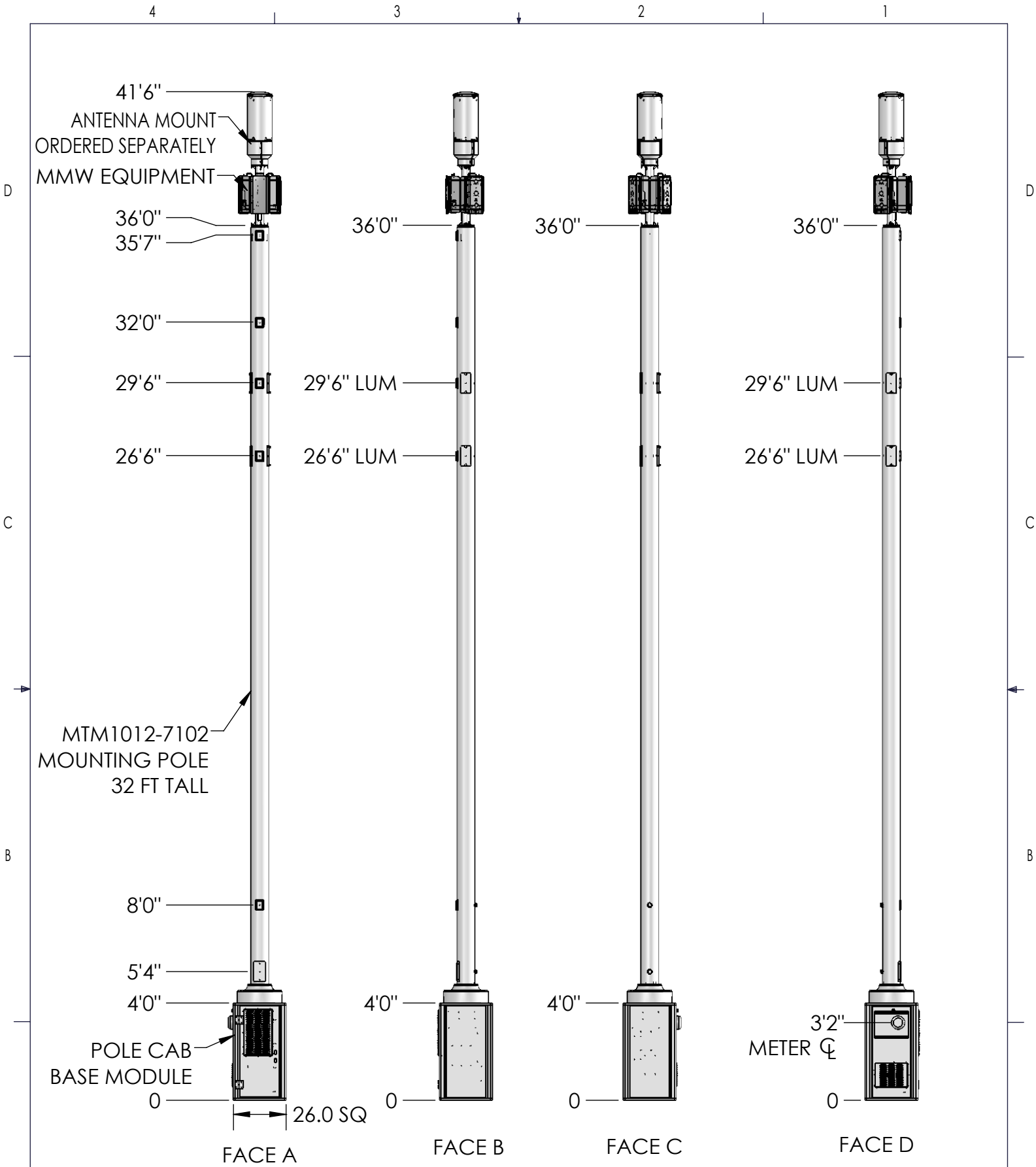
REMOVE BURRS AND BREAK EDGES .005

DO NOT SCALE THIS PRINT

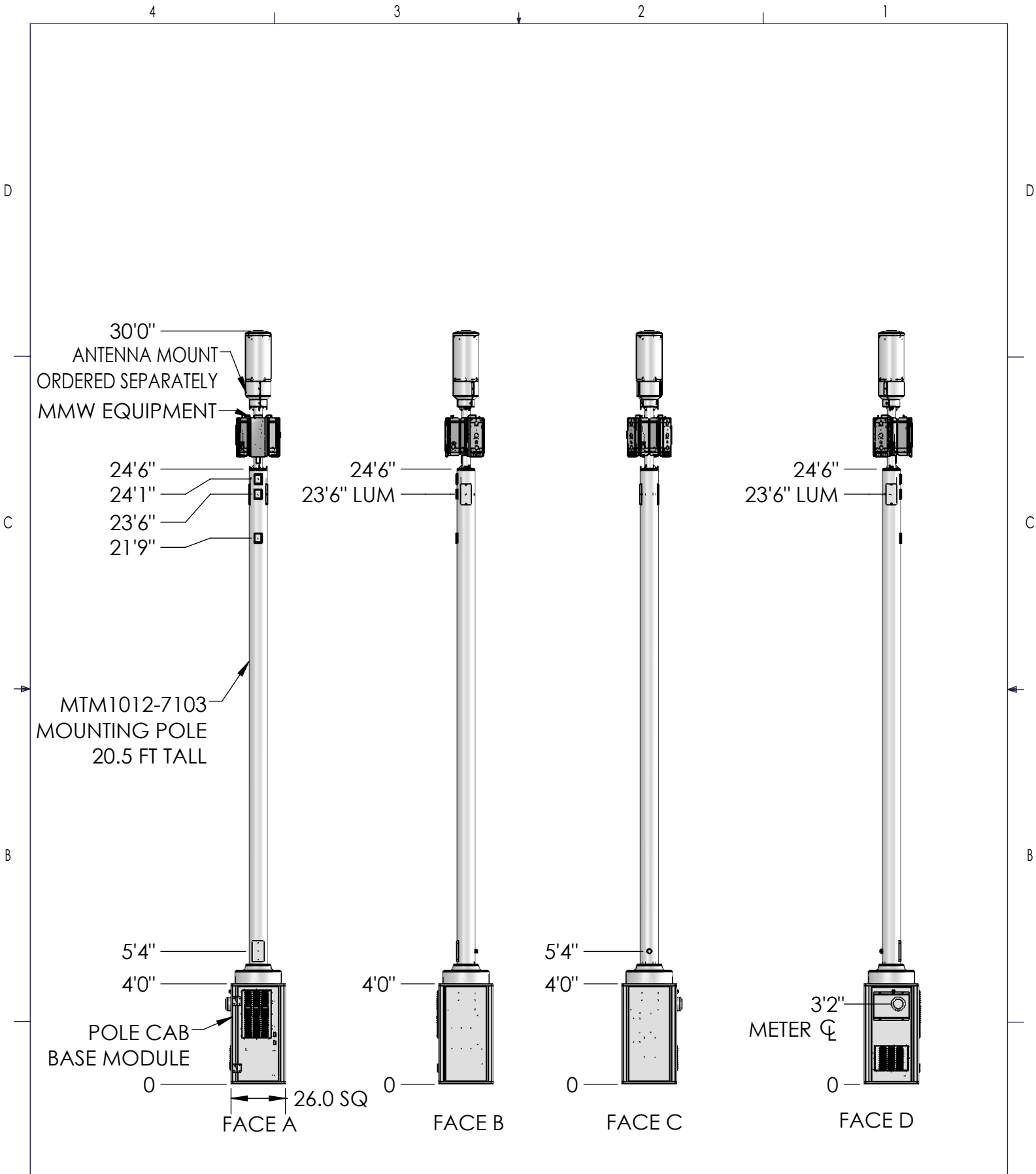
DRAWN BY: MJP	SHEET: 25 of 1
CHECKED BY:	SCALE:
DATE:	MATERIAL:
REVISION: A	FINISH: WEIGHT:

PART NUMBER: 760237427xx31xS ALT POLE
DESCRIPTION: METRO CELL, 26IN POLE CAB SOLUTION
DRAWING TYPE:

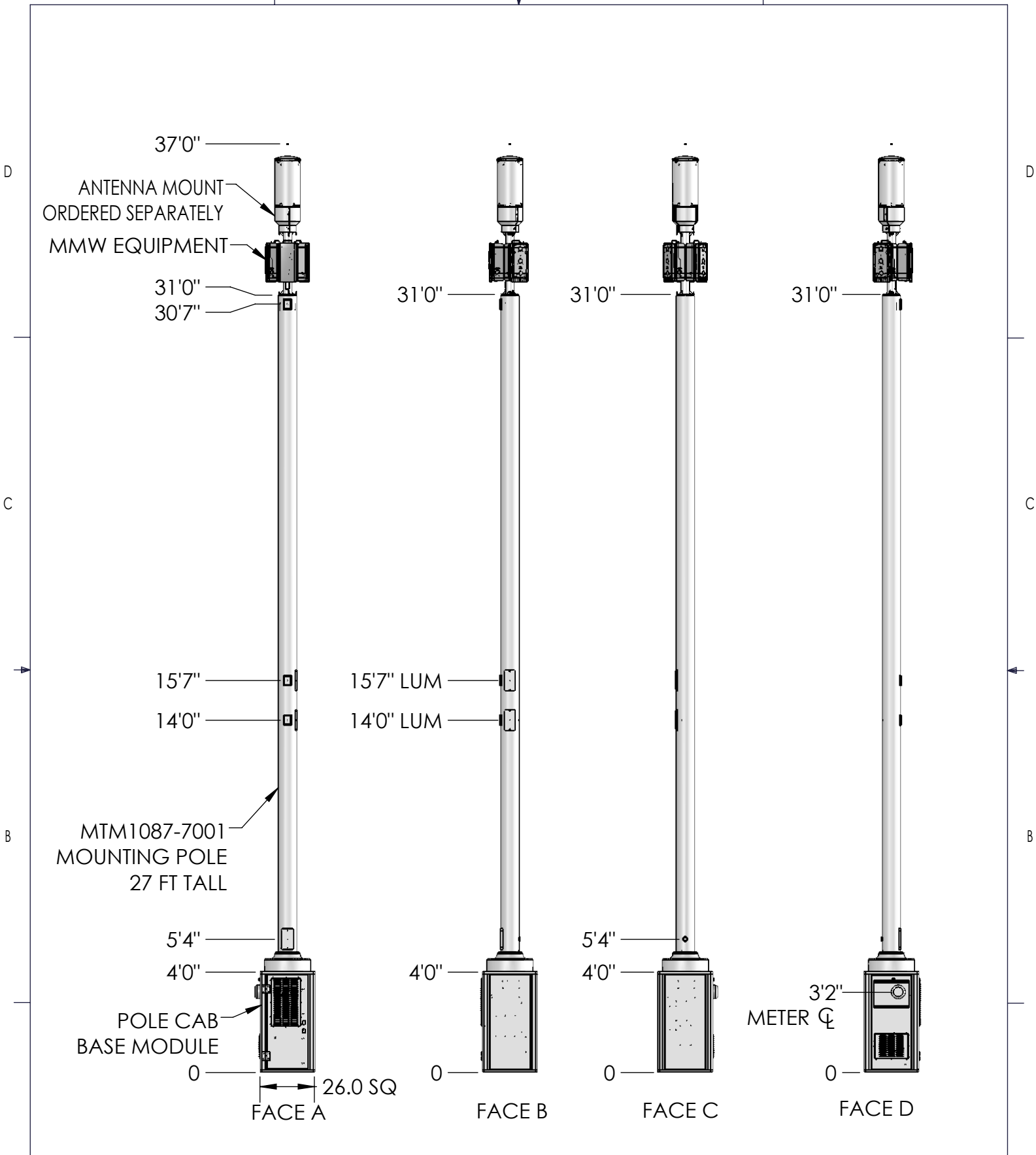




<p>These drawings and specifications are the proprietary property of Commscope Inc. and may be used only for the specific purpose authorized in writing by Commscope Inc.</p> <p>ALL DIMENSIONS ARE IN INCHES U.O.S. TOLERANCES UNLESS OTHERWISE SPECIFIED:</p> <p>.X = ± .12 ANGLES ±2° .XX = ± .06 FRACTIONS ±1/32 .XXX = ± .031</p> <p>REMOVE BURRS AND BREAK EDGES .005</p> <p>DO NOT SCALE THIS PRINT</p>	<p>DRAWN BY: MJP</p>	<p>SHEET: 26 of 1</p>	<p>PART NUMBER: 760237427xx36xS ALT POLE</p>
	<p>CHECKED BY:</p>	<p>SCALE:</p>	<p>DESCRIPTION: METRO CELL, 26IN POLE CAB SOLUTION</p>
	<p>DATE:</p>	<p>MATERIAL:</p>	<p>DRAWING TYPE:</p>
	<p>REVISION: A</p>	<p>FINISH:</p>	<p><b>COMMSCOPE®</b></p>
		<p>WEIGHT:</p>	



<p>These drawings and specifications are the proprietary property of CommScope Inc. and may be used only for the specific purpose authorized in writing by CommScope Inc.</p> <p>ALL DIMENSIONS ARE IN INCHES U.O.S. TOLERANCES UNLESS OTHERWISE SPECIFIED:</p> <p>.X = ± .12 ANGLES ±2°          .XX = ± .06 FRACTIONS ±1/32          .XXX = ± .031</p> <p>REMOVE BURRS AND BREAK EDGES .005</p> <p>DO NOT SCALE THIS PRINT</p>	DRAWN BY: MJP	SHEET: 27 of 1	PART NUMBER: 760237427xx25xS ALT POLE
	CHECKED BY:	SCALE:	DESCRIPTION: METRO CELL, 26IN POLE CAB SOLUTION
	DATE:	MATERIAL:	DRAWING TYPE:
	REVISION: A	FINISH:	WEIGHT:



<p>These drawings and specifications are the proprietary property of CommScope Inc. and may be used only for the specific purpose authorized in writing by CommScope Inc.</p> <p>ALL DIMENSIONS ARE IN INCHES U.O.S. TOLERANCES UNLESS OTHERWISE SPECIFIED:</p> <p>.X = ± .12 ANGLES ±2°          .XX = ± .06 FRACTIONS ±1/32          .XXX = ± .031</p> <p>REMOVE BURRS AND BREAK EDGES .005</p> <p>DO NOT SCALE THIS PRINT</p>	DRAWN BY: MJP	SHEET: 28 of 1	PART NUMBER: 760237427xx31xS ALT POLE-2
	CHECKED BY:	SCALE:	DESCRIPTION: METRO CELL, 26IN POLE CAB SOLUTION
	DATE:	MATERIAL:	DRAWING TYPE:
	REVISION: A	FINISH:	
		WEIGHT:	