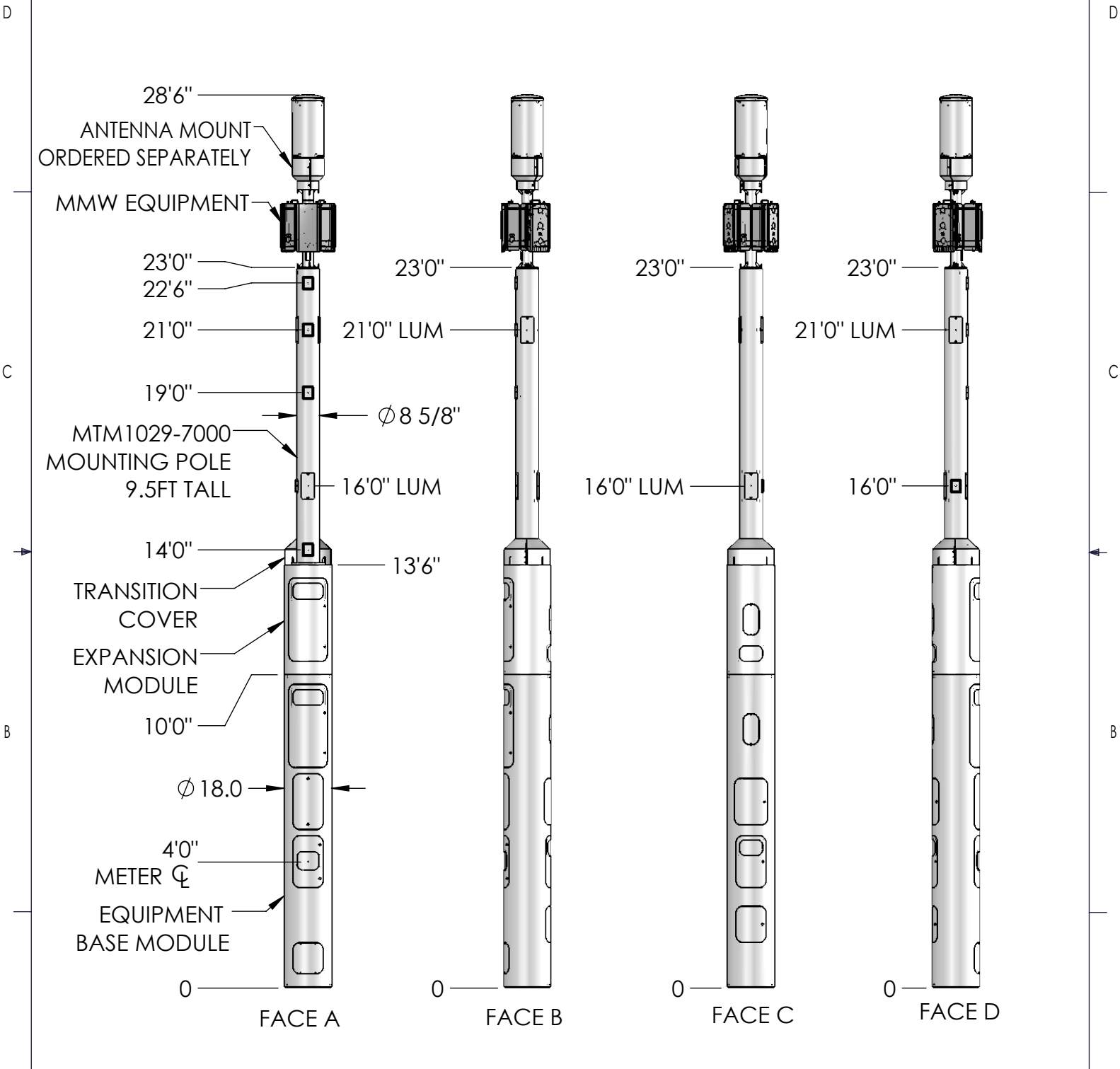
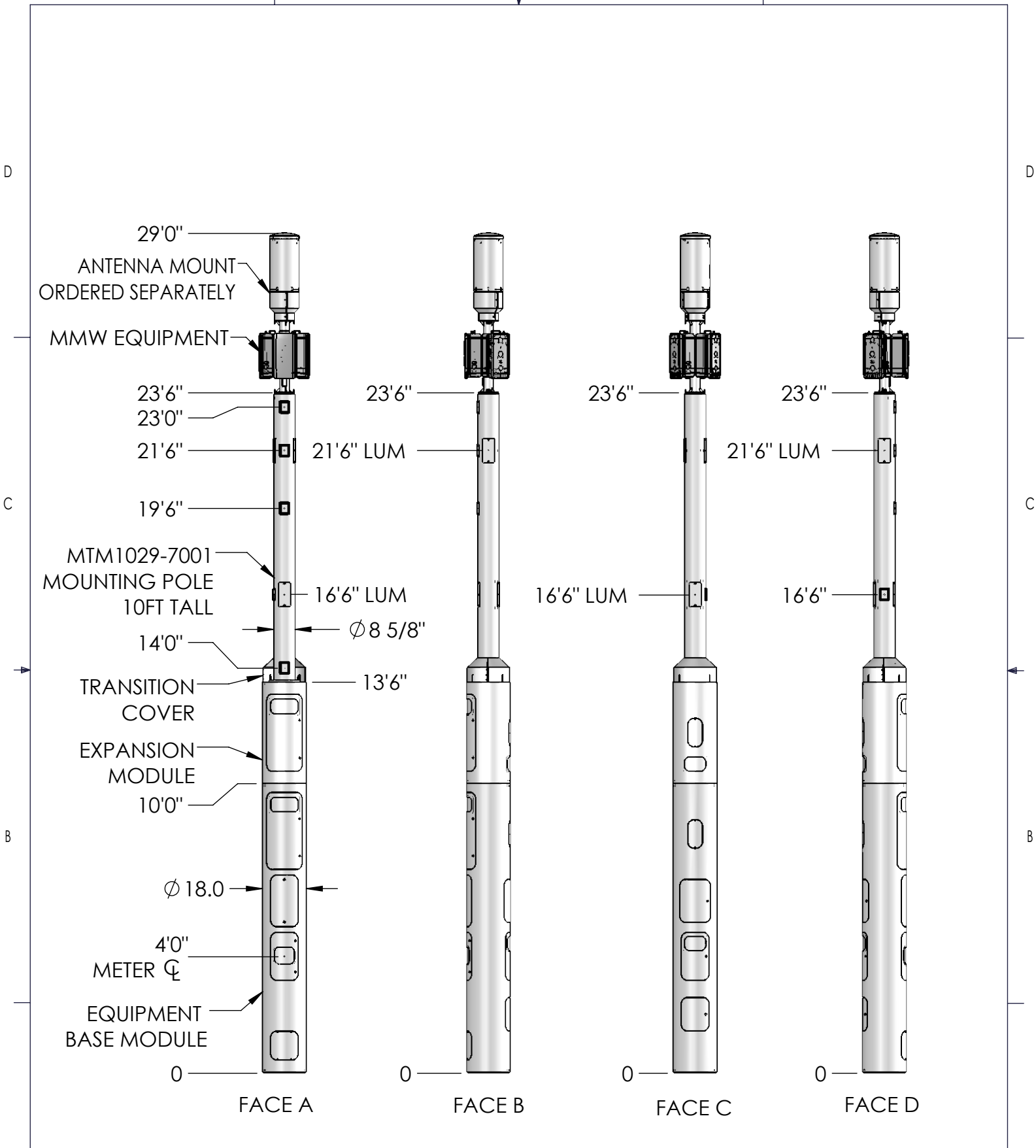


REVISIONS			
REV.	DESCRIPTION	BY	DATE
A	PRELIMINARY RELEASE	MJP	11/11/2021

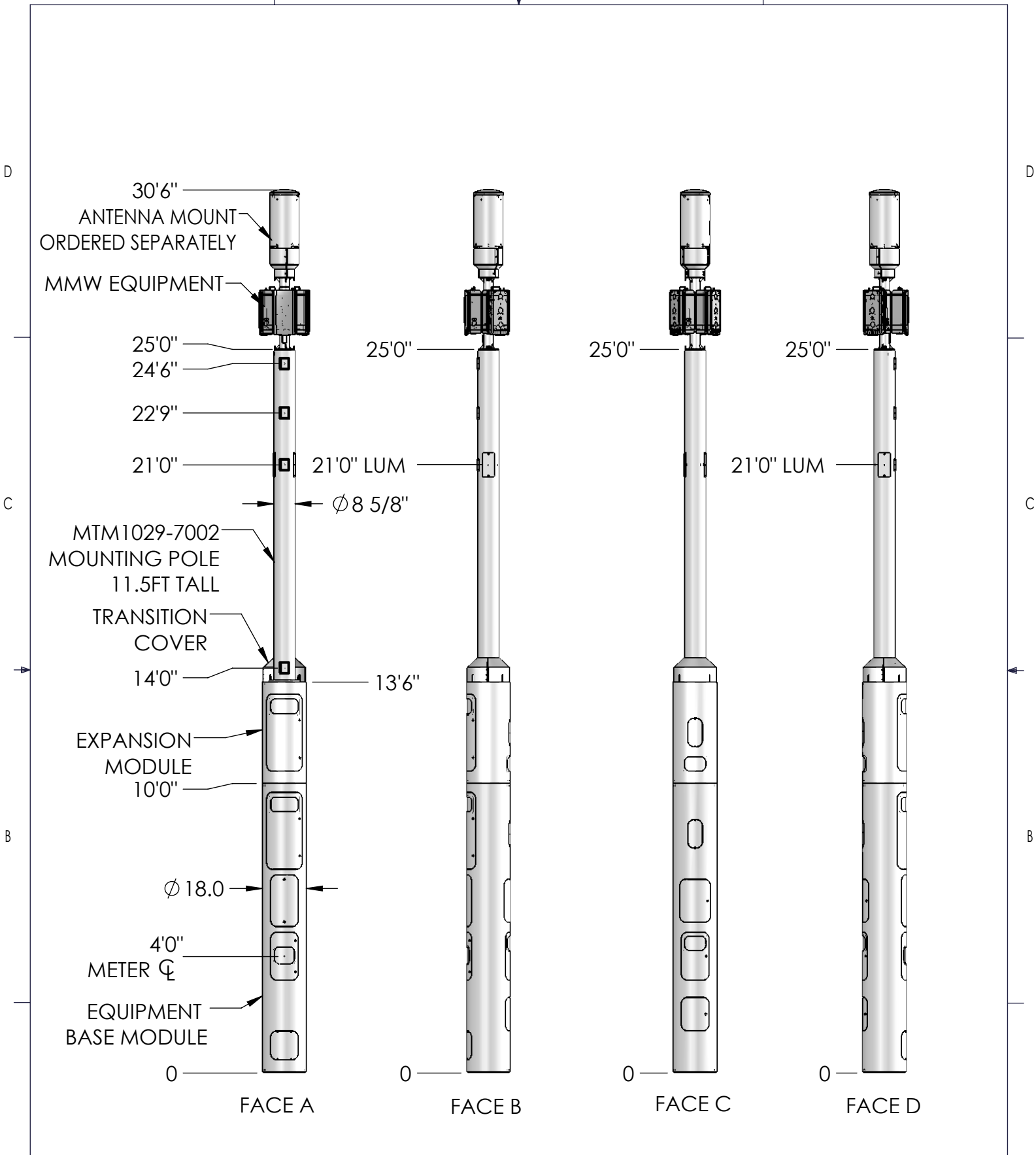


<p>These drawings and specifications are the proprietary property of CommScope Inc. and may be used only for the specific purpose authorized in writing by CommScope Inc.</p> <p>ALL DIMENSIONS ARE IN INCHES U.O.S. TOLERANCES UNLESS OTHERWISE SPECIFIED:</p> <p>.X = ± .12 ANGLES ±2° .XX = ± .06 FRACTIONS ±1/32 .XXX = ± .031</p> <p>REMOVE BURRS AND BREAK EDGES .005</p> <p>DO NOT SCALE THIS PRINT</p>	DRAWN BY: MJP	SHEET: 1 of 1	PART NUMBER: 760243184xx23xS
	CHECKED BY:	SCALE:	DESCRIPTION: METRO CELL, 18 IN INTEGRATED POLE SOLUTION
	DATE:	MATERIAL:	DRAWING TYPE:
	REVISION: A	FINISH:	WEIGHT:

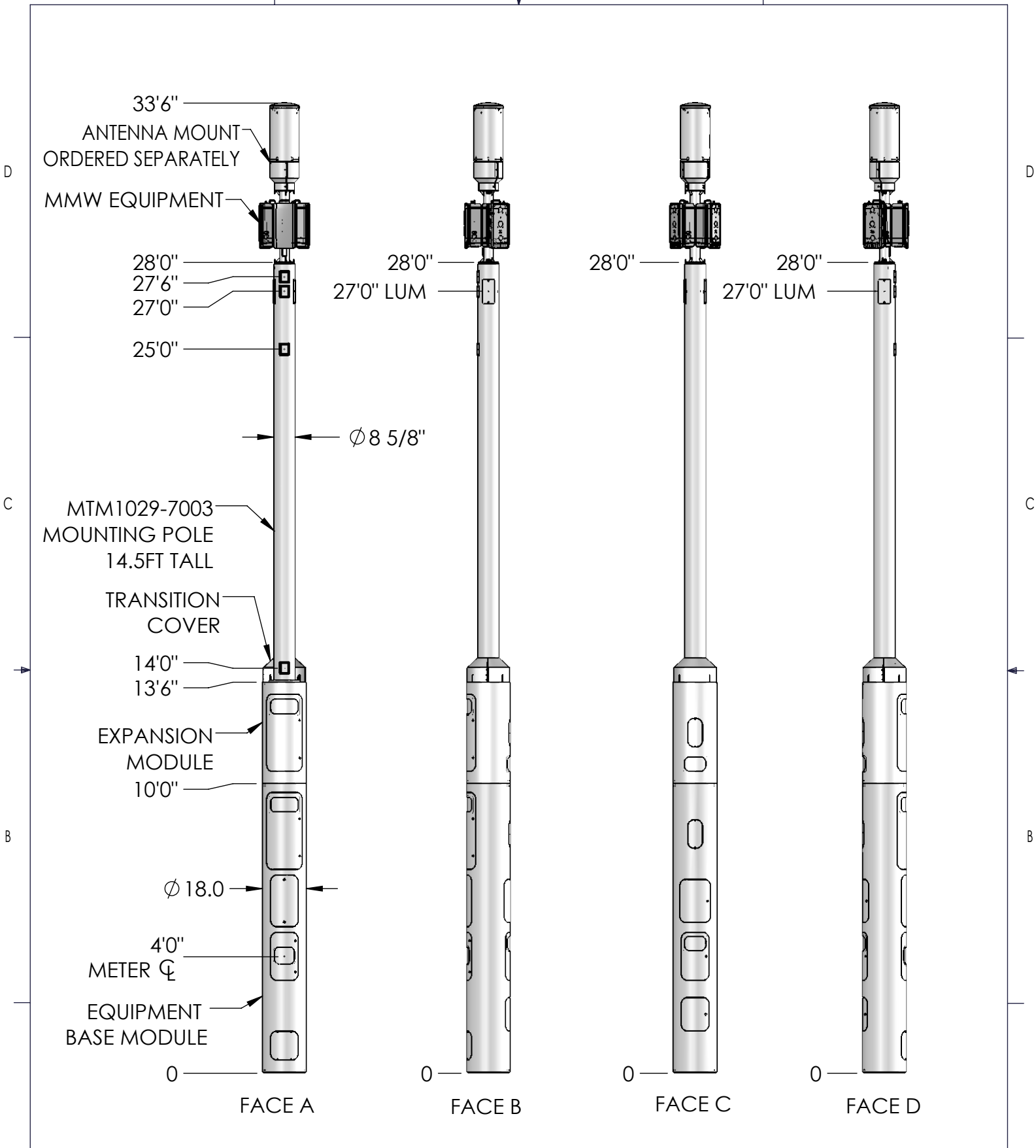


<p>These drawings and specifications are the proprietary property of CommScope Inc. and may be used only for the specific purpose authorized in writing by CommScope Inc.</p> <p>ALL DIMENSIONS ARE IN INCHES U.O.S. TOLERANCES UNLESS OTHERWISE SPECIFIED:</p> <p>.X = ± .12 ANGLES ±2° .XX = ± .06 FRACTIONS ±1/32 .XXX = ± .031</p> <p>REMOVE BURRS AND BREAK EDGES .005</p> <p>DO NOT SCALE THIS PRINT</p>	DRAWN BY: MJP	SHEET: 1 of 1	PART NUMBER: 760243184xx24xS
	CHECKED BY:	SCALE:	DESCRIPTION: METRO CELL, 18 IN INTEGRATED POLE SOLUTION
	DATE:	MATERIAL:	DRAWING TYPE:
	REVISION: A	FINISH:	WEIGHT:

COMMSCOPE®

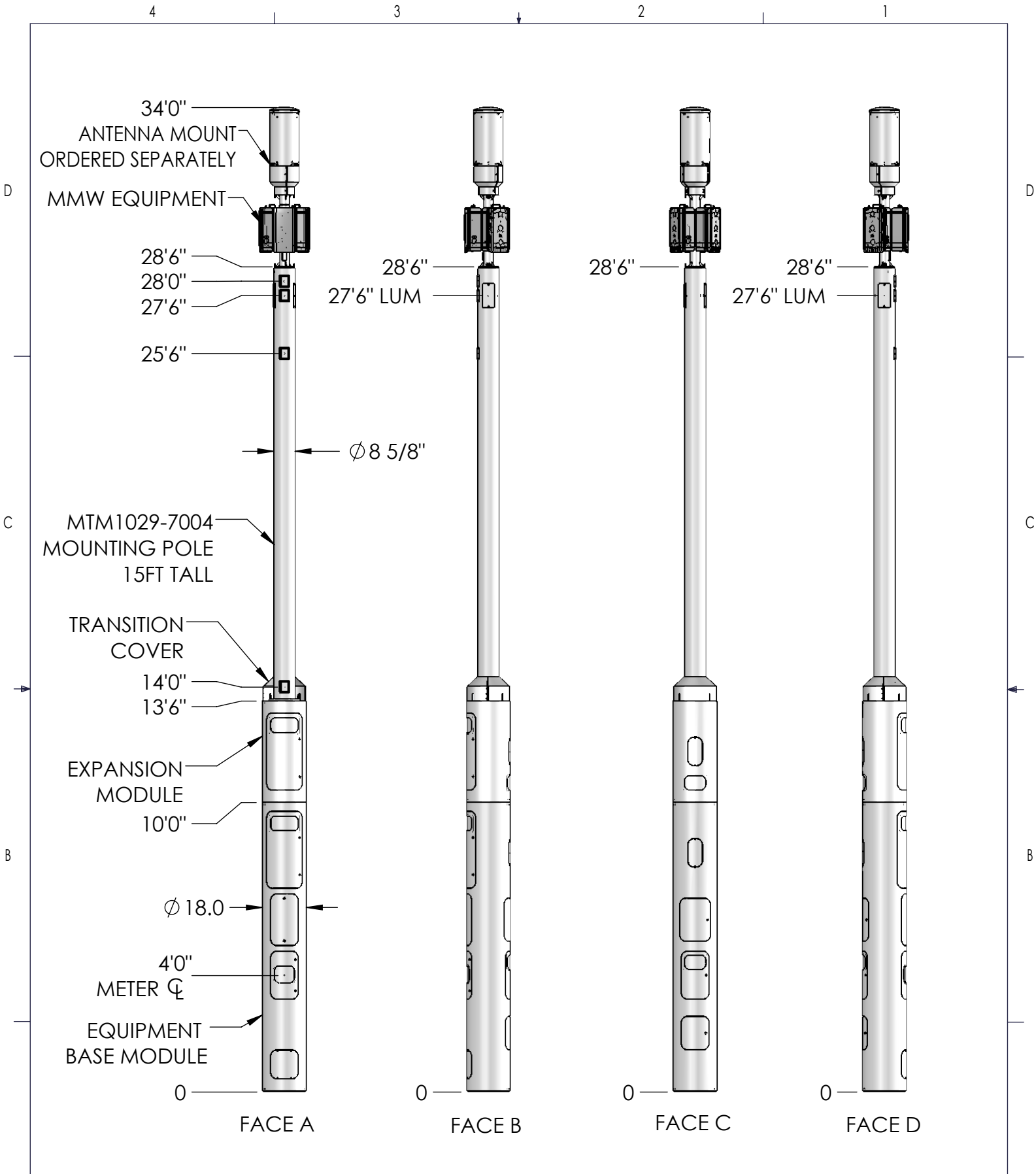


<p>These drawings and specifications are the proprietary property of CommScope Inc. and may be used only for the specific purpose authorized in writing by CommScope Inc.</p> <p>ALL DIMENSIONS ARE IN INCHES U.O.S. TOLERANCES UNLESS OTHERWISE SPECIFIED:</p> <p>.X = ± .12 ANGLES ±2° .XX = ± .06 FRACTIONS ±1/32 .XXX = ± .031</p> <p>REMOVE BURRS AND BREAK EDGES .005</p> <p>DO NOT SCALE THIS PRINT</p>	DRAWN BY: MJP	SHEET: 1 of 1	PART NUMBER: 760243184xx25xS
	CHECKED BY:	SCALE:	DESCRIPTION: METRO CELL, 18 IN INTEGRATED POLE SOLUTION
	DATE:	MATERIAL:	DRAWING TYPE:
	REVISION: A	FINISH:	
		WEIGHT:	

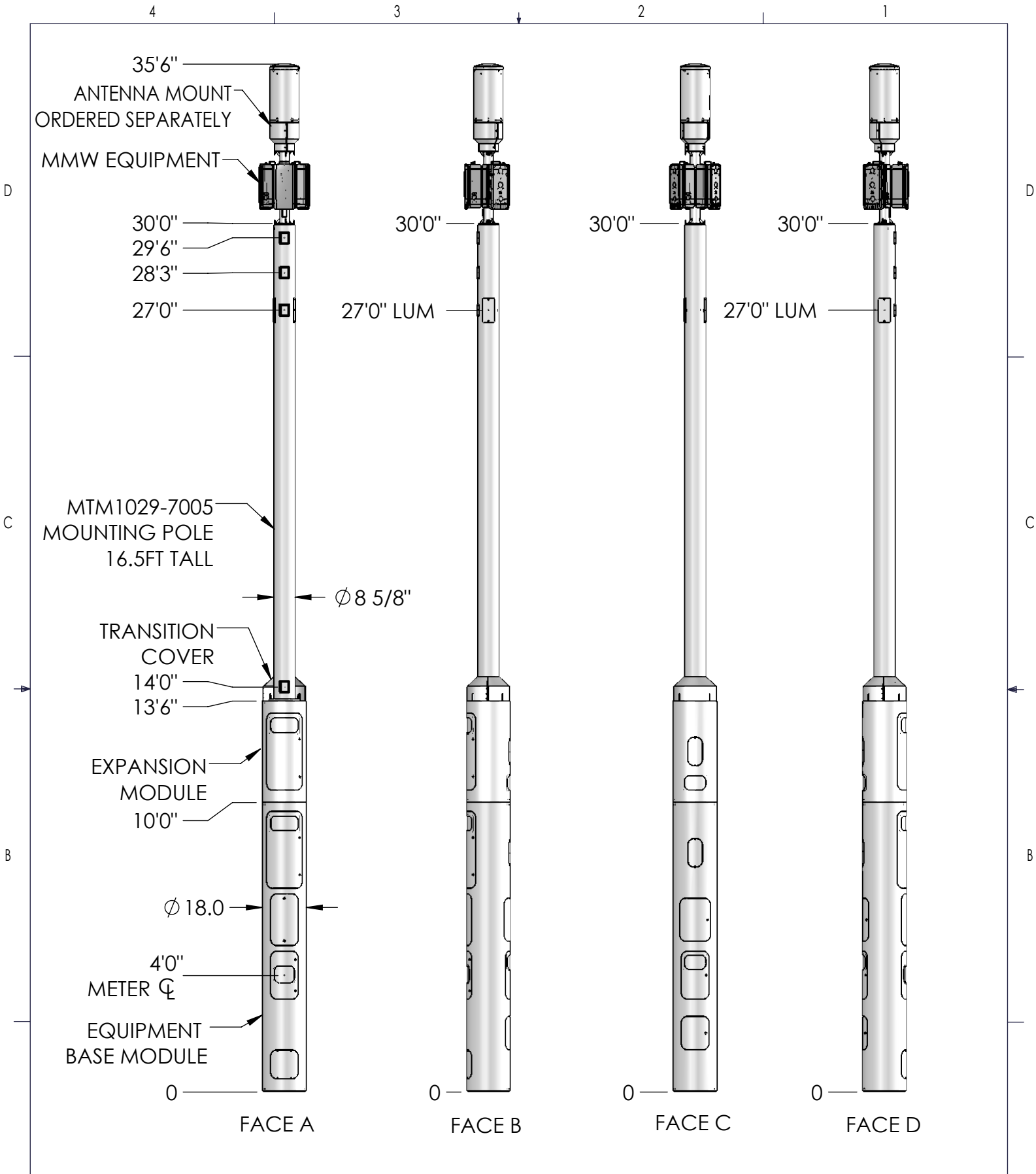


<p>These drawings and specifications are the proprietary property of CommScope Inc. and may be used only for the specific purpose authorized in writing by CommScope Inc.</p> <p>ALL DIMENSIONS ARE IN INCHES U.O.S. TOLERANCES UNLESS OTHERWISE SPECIFIED:</p> <p>.X = ± .12 ANGLES ±2° .XX = ± .06 FRACTIONS ±1/32 .XXX = ± .031</p> <p>REMOVE BURRS AND BREAK EDGES .005</p> <p>DO NOT SCALE THIS PRINT</p>	DRAWN BY: MJP	SHEET: 1 of 1	PART NUMBER: 760243184xx28xS
	CHECKED BY:	SCALE:	DESCRIPTION: METRO CELL, 18 IN INTEGRATED POLE SOLUTION
	DATE:	MATERIAL:	DRAWING TYPE:
	REVISION: A	FINISH:	WEIGHT:

COMMSCOPE®

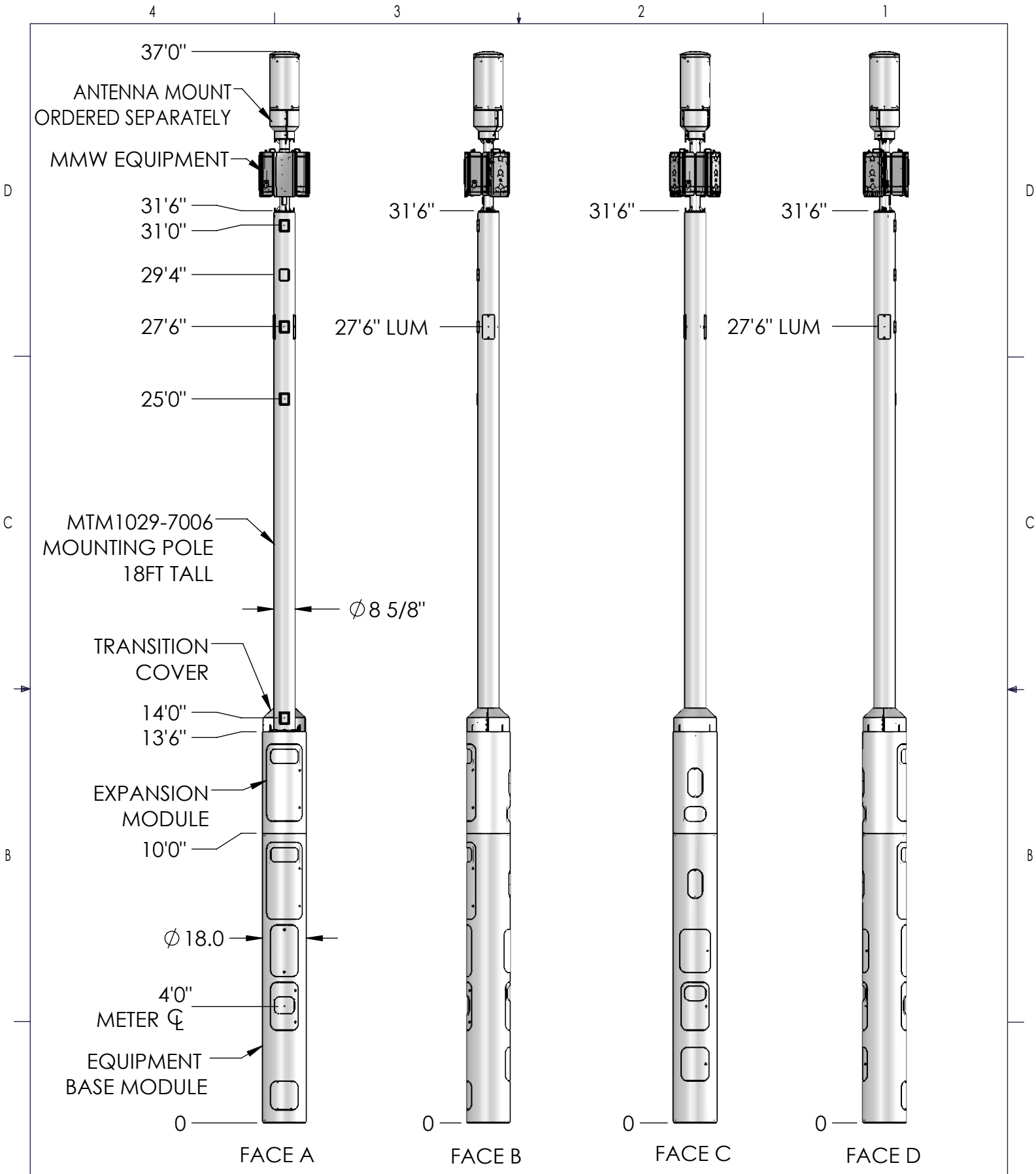


<p>These drawings and specifications are the proprietary property of CommScope Inc. and may be used only for the specific purpose authorized in writing by CommScope Inc.</p> <p>ALL DIMENSIONS ARE IN INCHES U.O.S. TOLERANCES UNLESS OTHERWISE SPECIFIED:</p> <p>.X = ± .12 ANGLES ±2° .XX = ± .06 FRACTIONS ±1/32 .XXX = ± .031</p> <p>REMOVE BURRS AND BREAK EDGES .005</p> <p>DO NOT SCALE THIS PRINT</p>	DRAWN BY: MJP	SHEET: 1 of 1	PART NUMBER: 760243184xx29xS
	CHECKED BY:	SCALE:	DESCRIPTION: METRO CELL, 18 IN INTEGRATED POLE SOLUTION
	DATE:	MATERIAL:	DRAWING TYPE:
	REVISION: A	FINISH:	
		WEIGHT:	



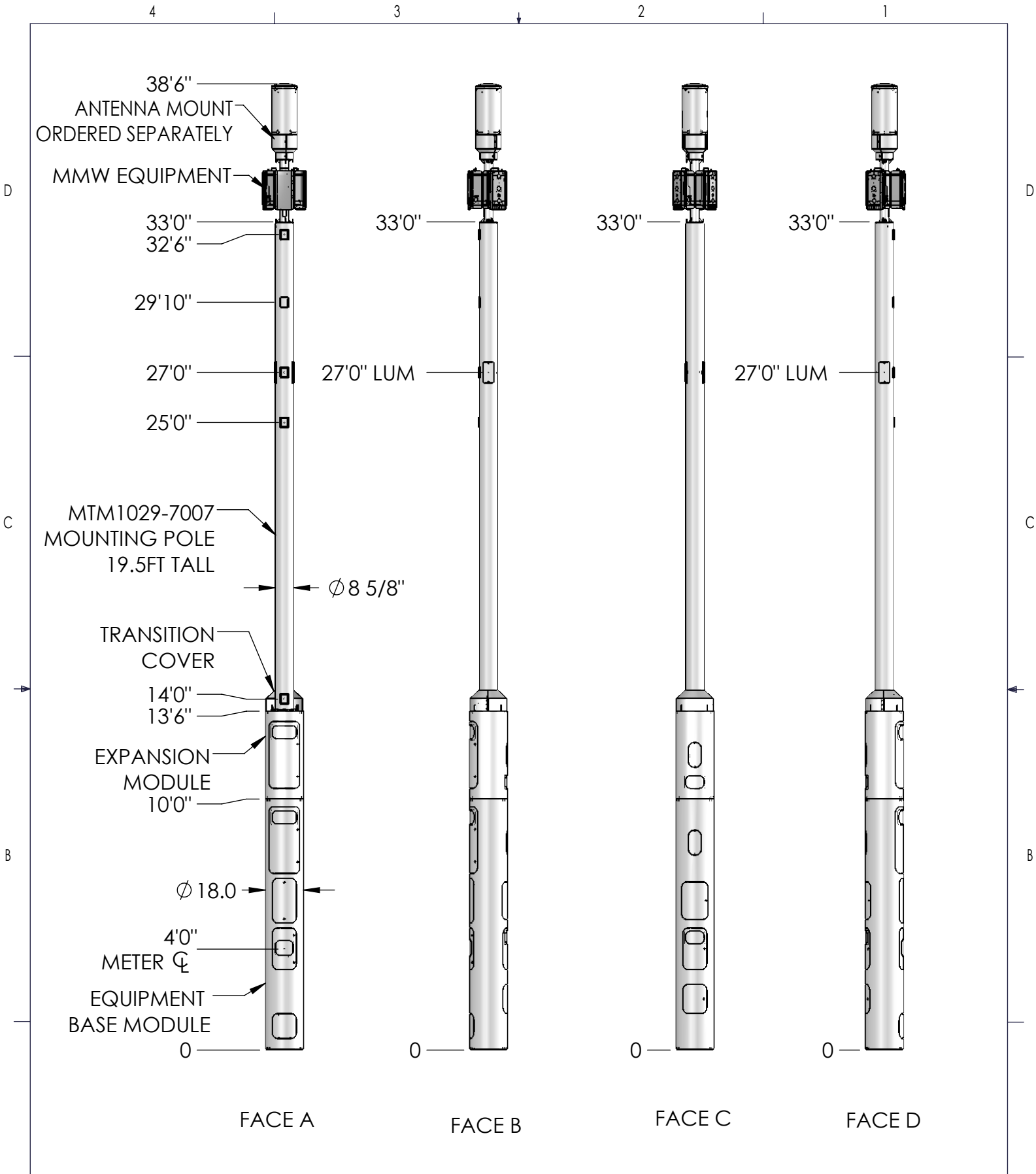
<p>These drawings and specifications are the proprietary property of Commscope Inc. and may be used only for the specific purpose authorized in writing by Commscope Inc.</p> <p>ALL DIMENSIONS ARE IN INCHES U.O.S. TOLERANCES UNLESS OTHERWISE SPECIFIED:</p> <p>.X = ± .12 ANGLES ±2°</p> <p>.XX = ± .06 FRACTIONS ±1/32</p> <p>.XXX = ± .031</p> <p>REMOVE BURRS AND BREAK EDGES .005</p> <p>DO NOT SCALE THIS PRINT</p>	<p>DRAWN BY: MJP</p>	<p>SHEET: 1 of 1</p>	<p>PART NUMBER: 760243184xx30xS</p>
	<p>CHECKED BY:</p>	<p>SCALE:</p>	<p>DESCRIPTION: METRO CELL, 18 IN INTEGRATED POLE SOLUTION</p>
	<p>DATE:</p>	<p>MATERIAL:</p>	<p>DRAWING TYPE:</p>
	<p>REVISION: A</p>	<p>FINISH:</p>	<p>WEIGHT:</p>

COMMSCOPE®

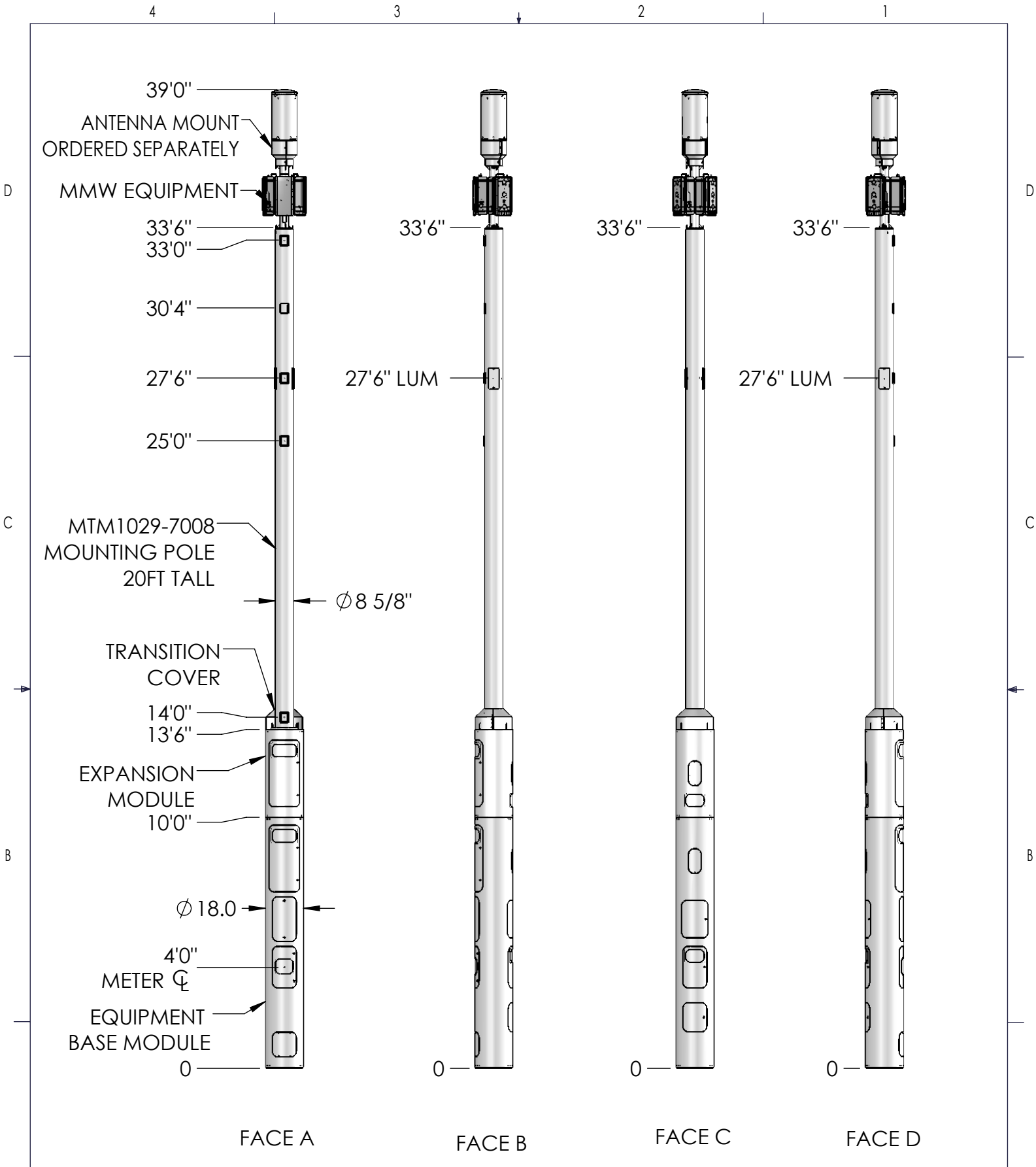


<p>These drawings and specifications are the proprietary property of Commscope Inc. and may be used only for the specific purpose authorized in writing by Commscope Inc.</p> <p>ALL DIMENSIONS ARE IN INCHES U.O.S. TOLERANCES UNLESS OTHERWISE SPECIFIED:</p> <p>.X = ± .12 ANGLES ±2° .XX = ± .06 FRACTIONS ±1/32 .XXX = ± .031</p> <p>REMOVE BURRS AND BREAK EDGES .005</p> <p>DO NOT SCALE THIS PRINT</p>	<p>DRAWN BY: MJP</p>	<p>SHEET: 1 of 1</p>	<p>PART NUMBER: 760243184xx32xs</p>
	<p>CHECKED BY:</p>	<p>SCALE:</p>	<p>DESCRIPTION: METRO CELL, 18 IN INTEGRATED POLE SOLUTION</p>
	<p>DATE:</p>	<p>MATERIAL:</p>	<p>DRAWING TYPE:</p>
	<p>REVISION: A</p>	<p>FINISH:</p>	<p>WEIGHT:</p>

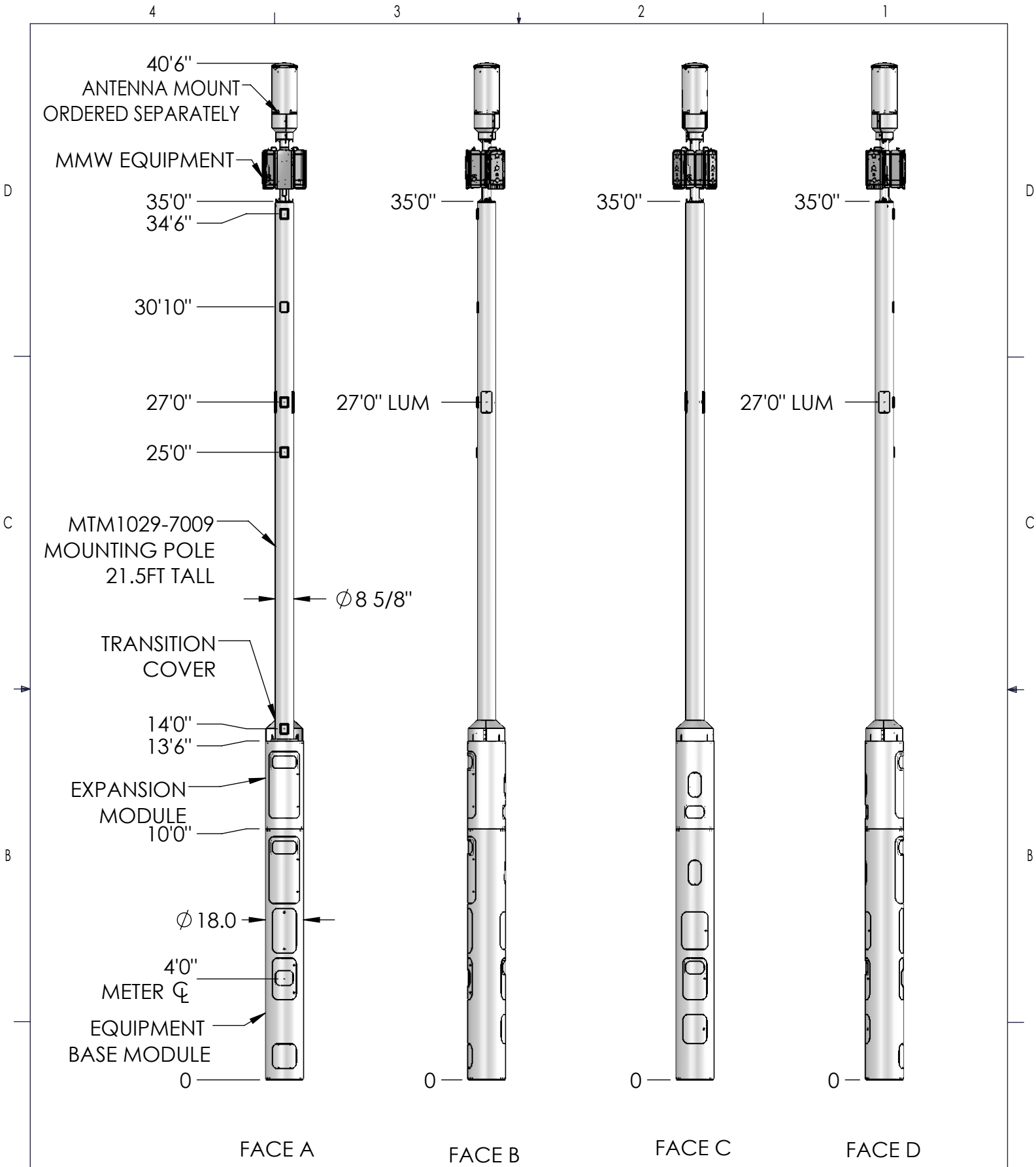
4 3 2 1



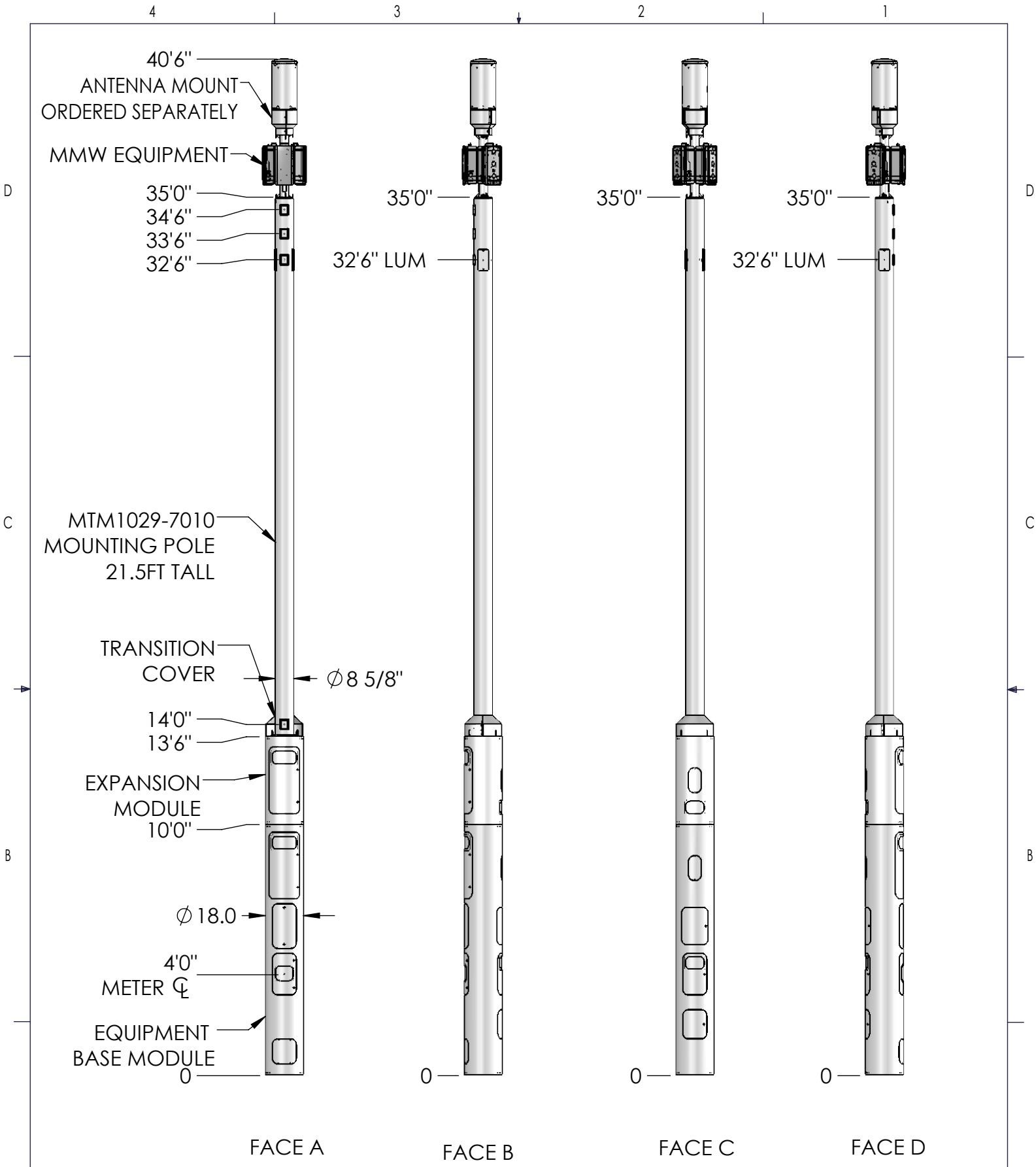
<p>These drawings and specifications are the proprietary property of Commscope Inc. and may be used only for the specific purpose authorized in writing by Commscope Inc.</p> <p>ALL DIMENSIONS ARE IN INCHES U.O.S. TOLERANCES UNLESS OTHERWISE SPECIFIED:</p> <p>.X = ± .12 ANGLES ±2°</p> <p>.XX = ± .06 FRACTIONS ±1/32</p> <p>.XXX = ± .031</p> <p>REMOVE BURRS AND BREAK EDGES .005</p> <p>DO NOT SCALE THIS PRINT</p>	<p>DRAWN BY: MJP</p>	<p>SHEET: 1 of 1</p>	<p>PART NUMBER: 760243184xx33xs</p>
	<p>CHECKED BY:</p>	<p>SCALE:</p>	<p>DESCRIPTION: METRO CELL, 18 IN INTEGRATED POLE SOLUTION</p>
	<p>DATE:</p>	<p>MATERIAL:</p>	<p>DRAWING TYPE:</p>
	<p>REVISION: A</p>	<p>FINISH:</p>	<p>WEIGHT:</p>



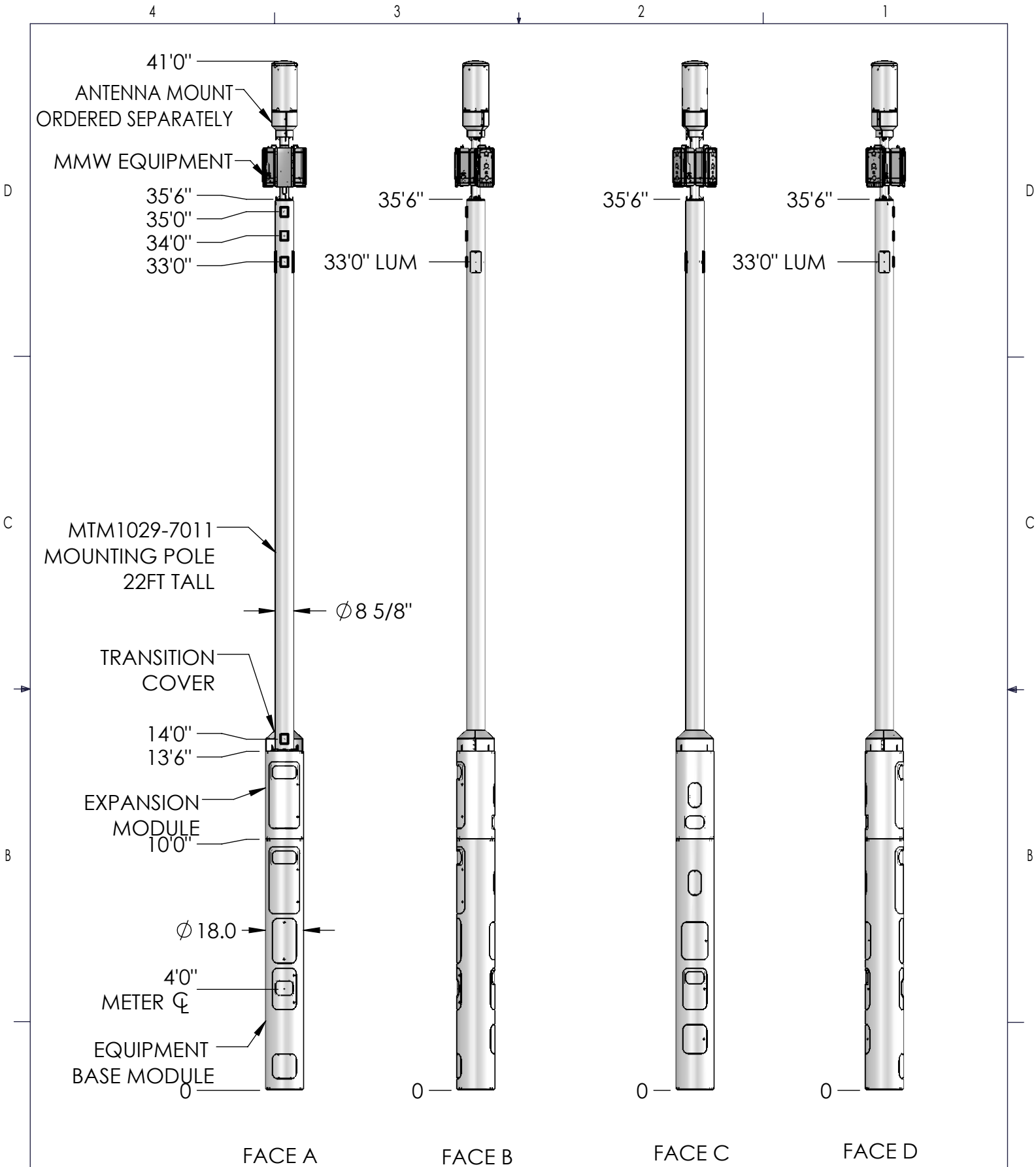
<p>These drawings and specifications are the proprietary property of CommScope Inc. and may be used only for the specific purpose authorized in writing by CommScope Inc.</p> <p>ALL DIMENSIONS ARE IN INCHES U.O.S. TOLERANCES UNLESS OTHERWISE SPECIFIED:</p> <p>.X = ± .12 ANGLES ±2° .XX = ± .06 FRACTIONS ±1/32 .XXX = ± .031</p> <p>REMOVE BURRS AND BREAK EDGES .005</p> <p>DO NOT SCALE THIS PRINT</p>	DRAWN BY: MJP	SHEET: 1 of 1	PART NUMBER: 760243184xx34xS
	CHECKED BY:	SCALE:	DESCRIPTION: METRO CELL, 18 IN INTEGRATED POLE SOLUTION
	DATE:	MATERIAL:	DRAWING TYPE:
	REVISION: A	FINISH:	
	WEIGHT:		



<p>These drawings and specifications are the proprietary property of CommScope Inc. and may be used only for the specific purpose authorized in writing by CommScope Inc.</p> <p>ALL DIMENSIONS ARE IN INCHES U.O.S. TOLERANCES UNLESS OTHERWISE SPECIFIED:</p> <p>.X = ± .12 ANGLES ±2°</p> <p>.XX = ± .06 FRACTIONS ±1/32</p> <p>.XXX = ± .031</p> <p>REMOVE BURRS AND BREAK EDGES .005</p> <p>DO NOT SCALE THIS PRINT</p>	<p>DRAWN BY: MJP</p>	<p>SHEET: 1 of 1</p>	<p>PART NUMBER: 760243184xx35xS</p>
	<p>CHECKED BY:</p>	<p>SCALE:</p>	<p>DESCRIPTION: METRO CELL, 18 IN INTEGRATED POLE SOLUTION</p>
	<p>DATE:</p>	<p>MATERIAL:</p>	<p>DRAWING TYPE:</p>
	<p>REVISION: A</p>	<p>FINISH:</p>	<p>WEIGHT:</p>



<p>These drawings and specifications are the proprietary property of CommScope Inc. and may be used only for the specific purpose authorized in writing by CommScope Inc.</p> <p>ALL DIMENSIONS ARE IN INCHES U.O.S. TOLERANCES UNLESS OTHERWISE SPECIFIED:</p> <p>.X = ± .12 ANGLES ±2° .XX = ± .06 FRACTIONS ±1/32 .XXX = ± .031</p> <p>REMOVE BURRS AND BREAK EDGES .005</p> <p>DO NOT SCALE THIS PRINT</p>	DRAWN BY: MJP	SHEET: 1 of 1	PART NUMBER: 760243184xx35xS
	CHECKED BY:	SCALE:	DESCRIPTION: METRO CELL, 18 IN INTEGRATED POLE SOLUTION
	DATE:	MATERIAL:	DRAWING TYPE:
	REVISION: A	FINISH:	
		WEIGHT:	



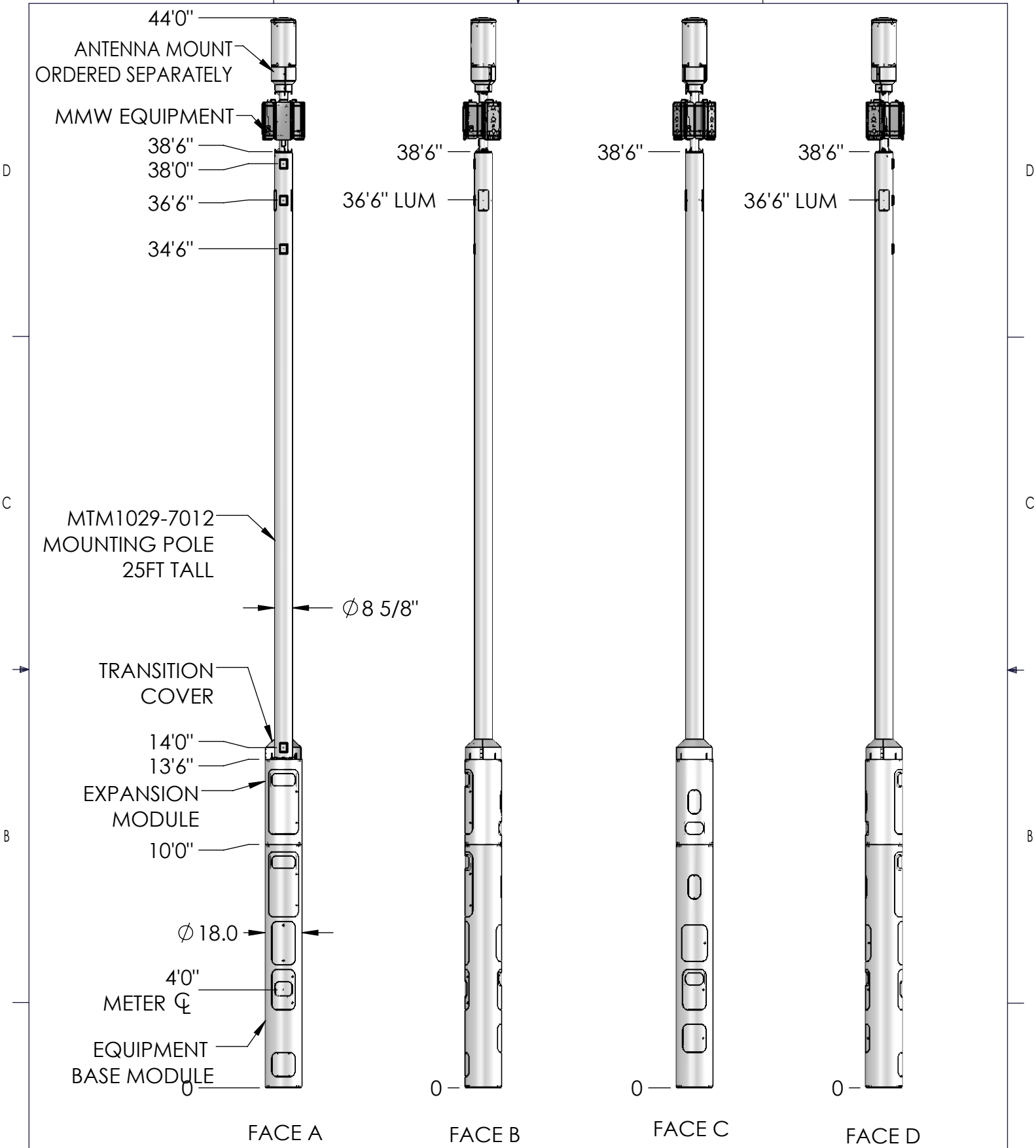
FACE A

FACE B

FACE C

FACE D

<p>These drawings and specifications are the proprietary property of CommScope Inc. and may be used only for the specific purpose authorized in writing by CommScope Inc.</p> <p>ALL DIMENSIONS ARE IN INCHES U.O.S. TOLERANCES UNLESS OTHERWISE SPECIFIED:</p> <p>.X = ± .12 ANGLES ±2° .XX = ± .06 FRACTIONS ±1/32 .XXX = ± .031</p> <p>REMOVE BURRS AND BREAK EDGES .005</p> <p>DO NOT SCALE THIS PRINT</p>	DRAWN BY: MJP	SHEET: 1 of 1	PART NUMBER: 760243184xx36xS
	CHECKED BY:	SCALE:	DESCRIPTION: METRO CELL, 18 IN INTEGRATED POLE SOLUTION
	DATE:	MATERIAL:	DRAWING TYPE:
	REVISION: A	FINISH:	WEIGHT:



<p>These drawings and specifications are the proprietary property of CommScope Inc. and may be used only for the specific purpose authorized in writing by CommScope Inc.</p> <p>ALL DIMENSIONS ARE IN INCHES U.O.S. TOLERANCES UNLESS OTHERWISE SPECIFIED:</p> <p>.X = ± .12 ANGLES ±2° .XX = ± .06 FRACTIONS ±1/32 .XXX = ± .031</p> <p>REMOVE BURRS AND BREAK EDGES .005</p> <p>DO NOT SCALE THIS PRINT</p>	DRAWN BY: MJP	SHEET: 1 of 1	PART NUMBER: 760243184xx39xS
	CHECKED BY:	SCALE:	DESCRIPTION: METRO CELL, 18 IN INTEGRATED POLE SOLUTION
	DATE:	MATERIAL:	DRAWING TYPE:
	REVISION: A	FINISH:	WEIGHT:

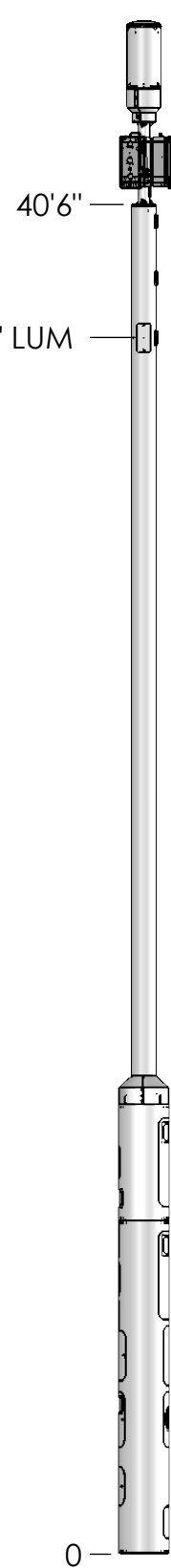
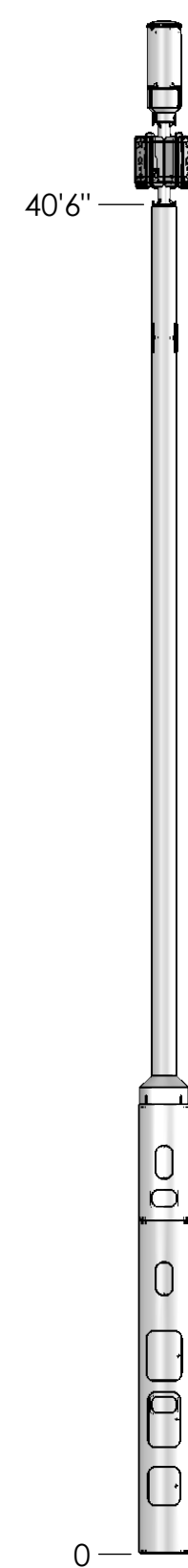
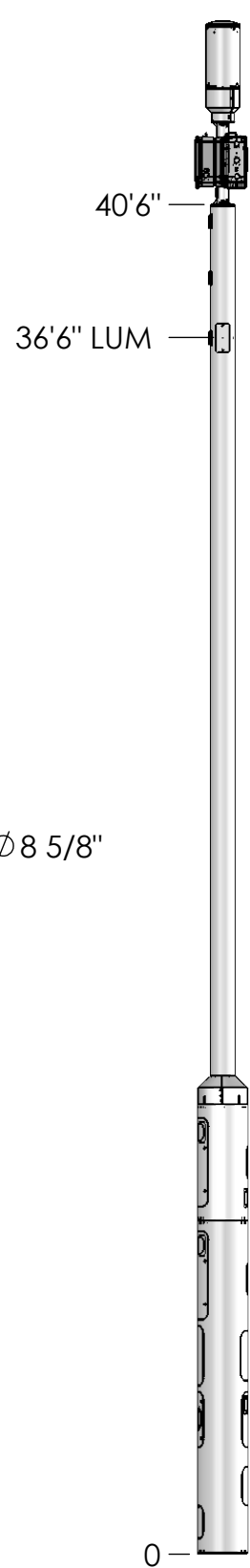
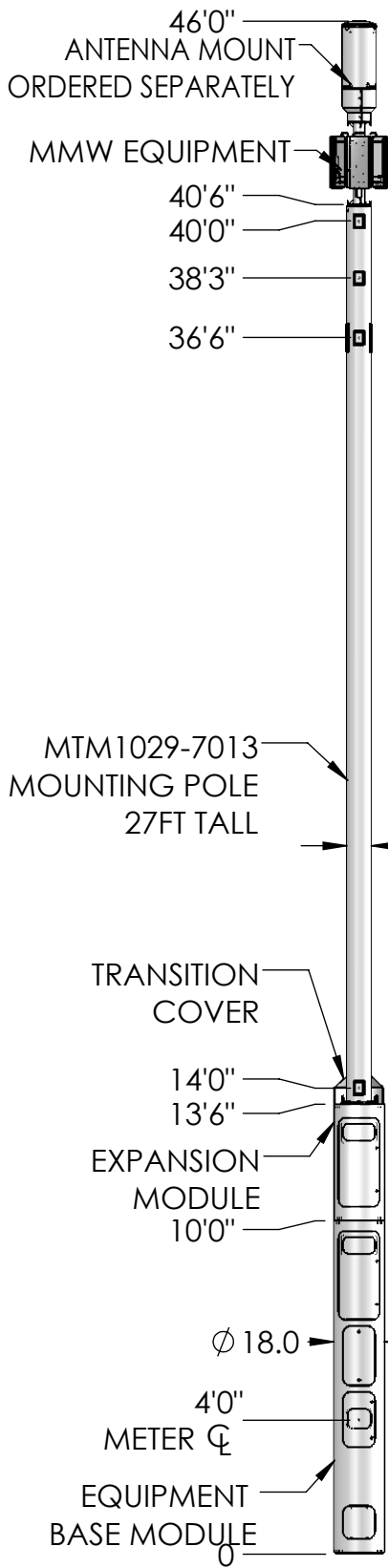


4

3

2

1



FACE A

FACE B

FACE C

FACE D

D

C

B

A

D

C

B

A

These drawings and specifications are the proprietary property of CommScope Inc. and may be used only for the specific purpose authorized in writing by CommScope Inc.

DRAWN BY: MJP
 SHEET: 1 of 1

PART NUMBER: 760243184xx41xS
 DESCRIPTION: METRO CELL, 18 IN INTEGRATED POLE SOLUTION

ALL DIMENSIONS ARE IN INCHES U.O.S.
 TOLERANCES UNLESS OTHERWISE SPECIFIED:
 .X = ± .12 ANGLES ±2°
 .XX = ± .06 FRACTIONS ±1/32
 .XXX = ± .031

DATE: _____ MATERIAL: _____
 REVISION: _____ FINISH: _____
 A WEIGHT: _____

DRAWING TYPE: _____

REMOVE BURRS AND BREAK EDGES .005

DO NOT SCALE THIS PRINT

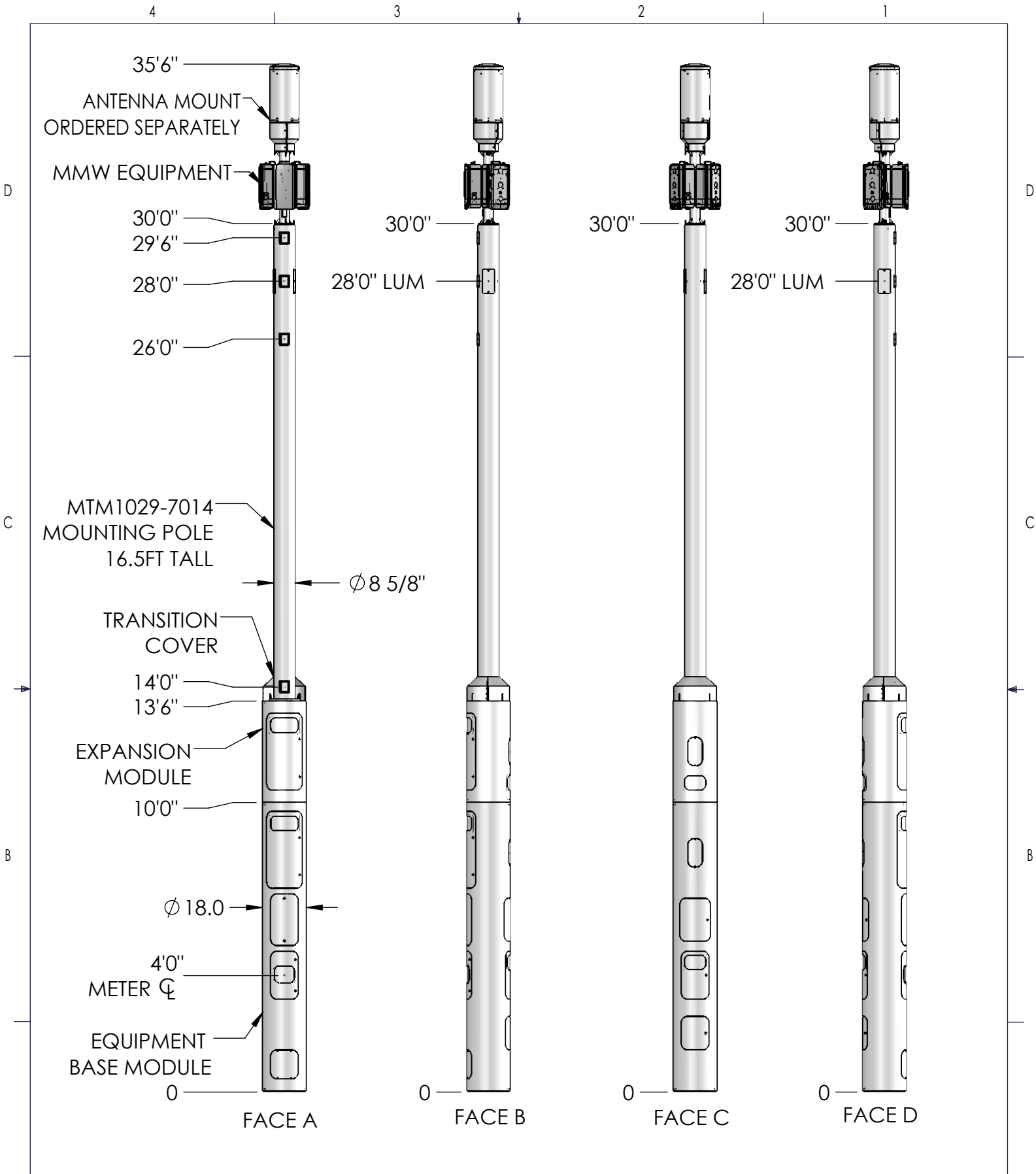


4

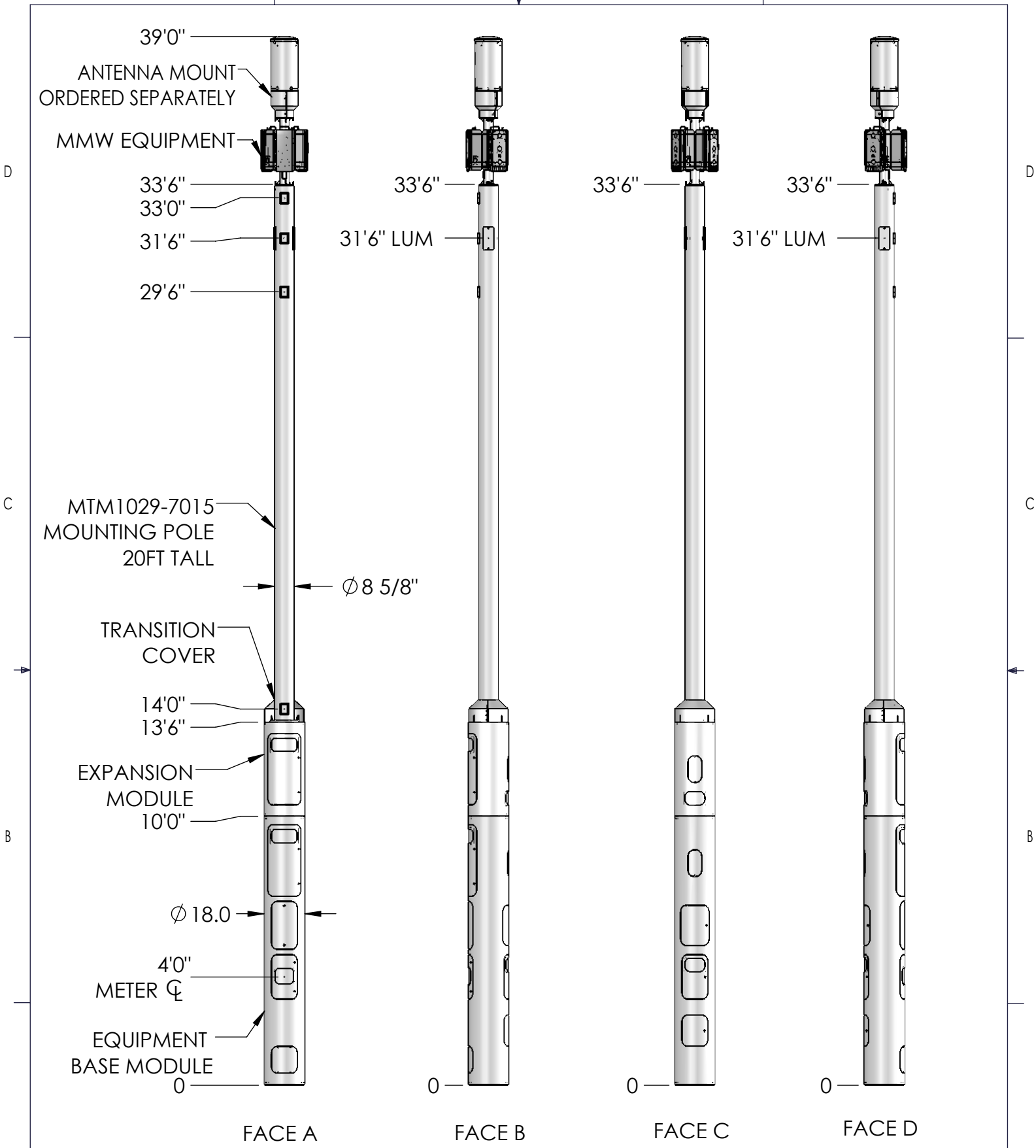
3

2

1



<p>These drawings and specifications are the proprietary property of CommScope Inc. and may be used only for the specific purpose authorized in writing by CommScope Inc.</p> <p>ALL DIMENSIONS ARE IN INCHES U.O.S. TOLERANCES UNLESS OTHERWISE SPECIFIED:</p> <p>.X = ± .12 ANGLES ±2° .XX = ± .06 FRACTIONS ±1/32 .XXX = ± .031</p> <p>REMOVE BURRS AND BREAK EDGES .005</p> <p>DO NOT SCALE THIS PRINT</p>	DRAWN BY: MJP	SHEET: 1 of 1	PART NUMBER: 760243184xx30xs
	CHECKED BY:	SCALE:	DESCRIPTION: METRO CELL, 18 IN INTEGRATED POLE SOLUTION
	DATE:	MATERIAL:	DRAWING TYPE:
	REVISION: A	FINISH:	
	WEIGHT:		

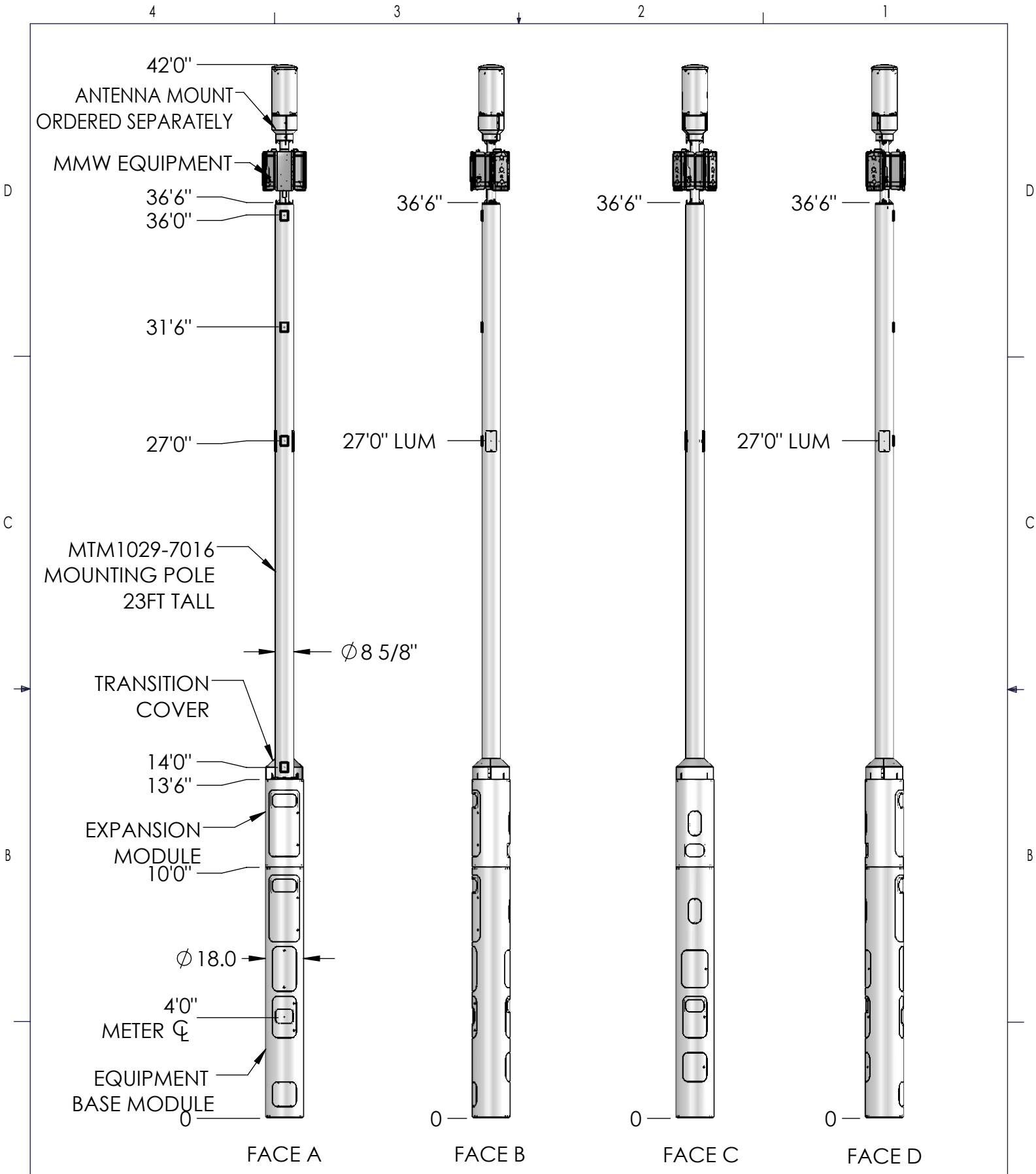


39'0"
 ANTENNA MOUNT
 ORDERED SEPARATELY
 MMW EQUIPMENT
 33'6"
 33'0"
 31'6"
 29'6"
 MTM1029-7015
 MOUNTING POLE
 20FT TALL
 $\phi 8 \frac{5}{8}$ "
 TRANSITION
 COVER
 14'0"
 13'6"
 EXPANSION
 MODULE
 10'0"
 $\phi 18.0$
 4'0"
 METER ϕ
 EQUIPMENT
 BASE MODULE
 0

33'6"
 31'6" LUM
 33'6"
 31'6" LUM
 33'6"
 31'6" LUM
 0
 0
 0
 0

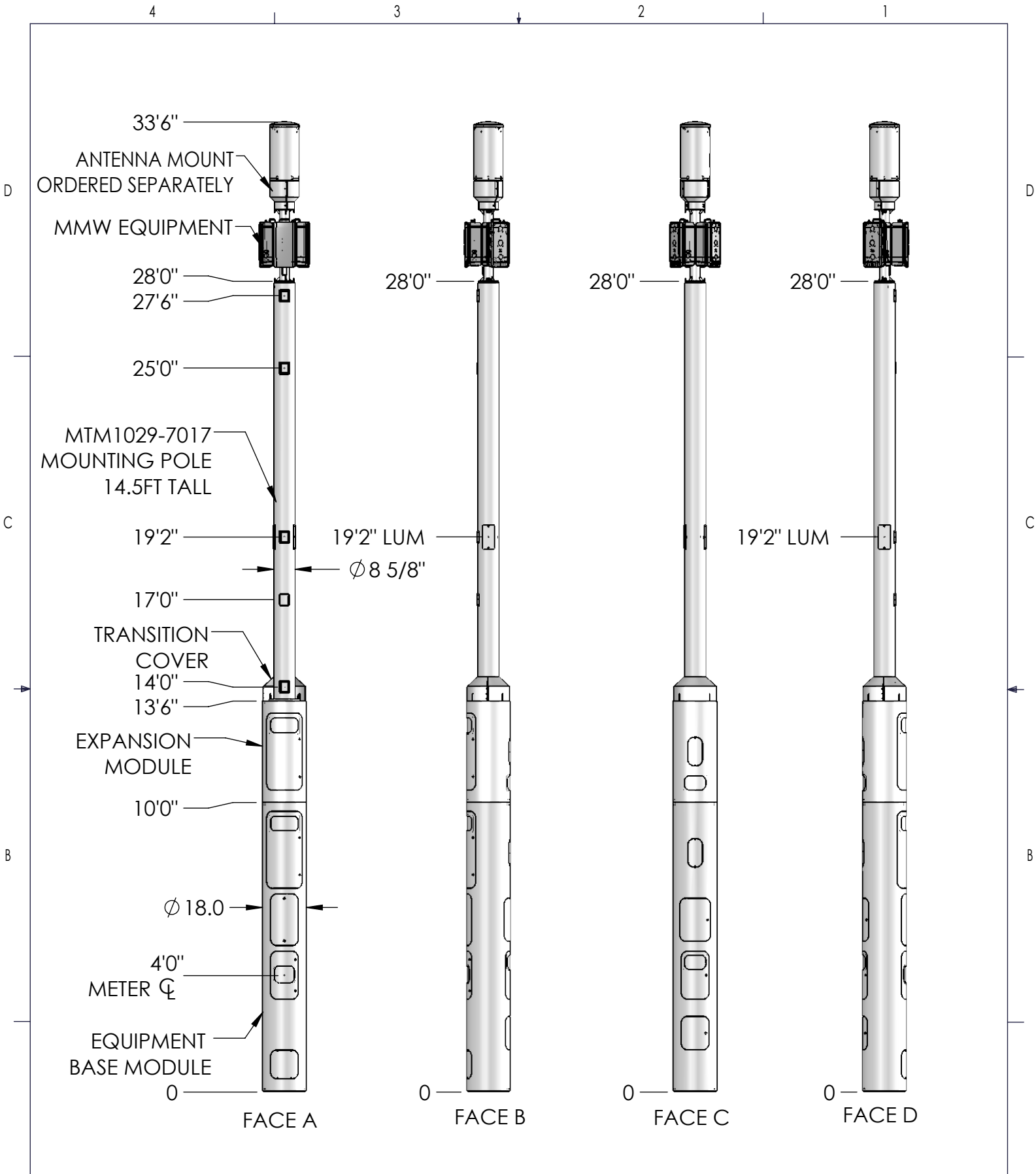
FACE A FACE B FACE C FACE D

<p>These drawings and specifications are the proprietary property of CommScope Inc. and may be used only for the specific purpose authorized in writing by CommScope Inc.</p> <p>ALL DIMENSIONS ARE IN INCHES U.O.S. TOLERANCES UNLESS OTHERWISE SPECIFIED:</p> <p>.X = ± .12 ANGLES ±2° .XX = ± .06 FRACTIONS ±1/32 .XXX = ± .031</p> <p>REMOVE BURRS AND BREAK EDGES .005</p> <p>DO NOT SCALE THIS PRINT</p>	DRAWN BY: MJP	SHEET: 1 of 1	PART NUMBER: 760243184xx34xS
	CHECKED BY:	SCALE:	DESCRIPTION: METRO CELL, 18 IN INTEGRATED POLE SOLUTION
	DATE:	MATERIAL:	DRAWING TYPE:
	REVISION: A	FINISH:	WEIGHT:

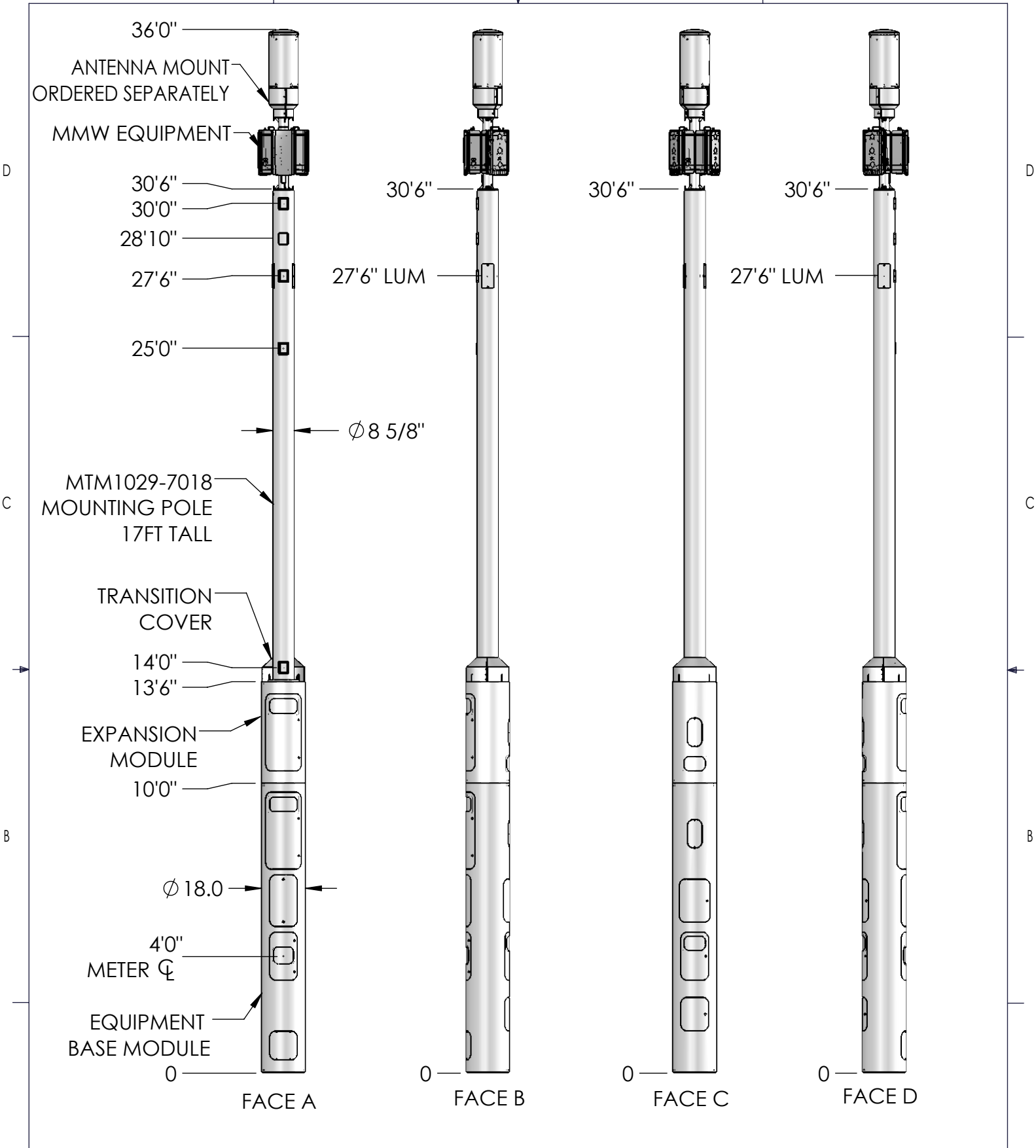


<p>These drawings and specifications are the proprietary property of Commscope Inc. and may be used only for the specific purpose authorized in writing by Commscope Inc.</p> <p>ALL DIMENSIONS ARE IN INCHES U.O.S. TOLERANCES UNLESS OTHERWISE SPECIFIED:</p> <p>.X = ± .12 ANGLES ±2°</p> <p>.XX = ± .06 FRACTIONS ±1/32</p> <p>.XXX = ± .031</p> <p>REMOVE BURRS AND BREAK EDGES .005</p> <p>DO NOT SCALE THIS PRINT</p>	<p>DRAWN BY: MJP</p>	<p>SHEET: 1 of 1</p>	<p>PART NUMBER: 760243184xx37xS</p>
	<p>CHECKED BY:</p>	<p>SCALE:</p>	<p>DESCRIPTION: METRO CELL, 18 IN INTEGRATED POLE SOLUTION</p>
	<p>DATE:</p>	<p>MATERIAL:</p>	<p>DRAWING TYPE:</p>
	<p>REVISION: A</p>	<p>FINISH:</p>	<p>WEIGHT:</p>

COMMSCOPE®

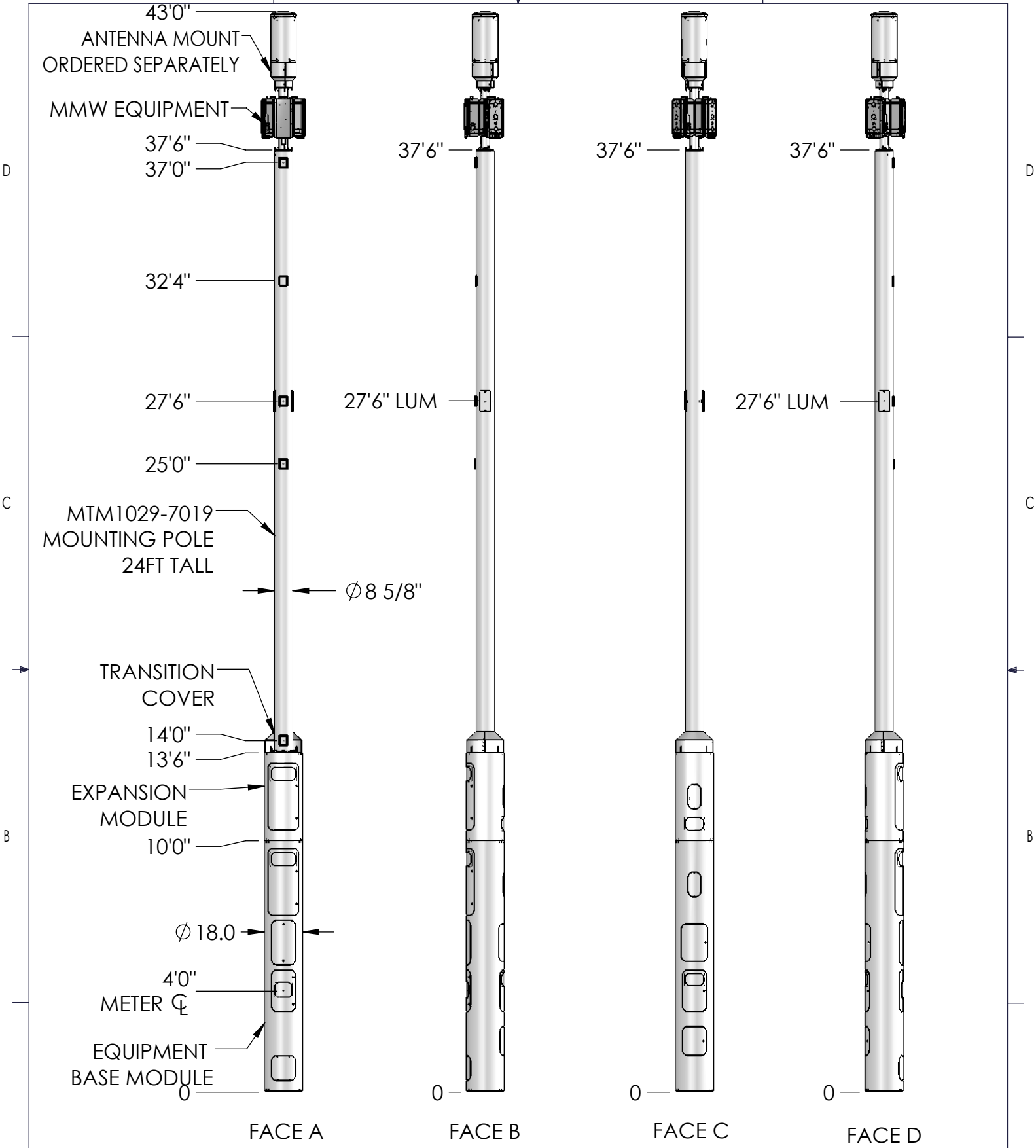


<p>These drawings and specifications are the proprietary property of Commscope Inc. and may be used only for the specific purpose authorized in writing by Commscope Inc.</p> <p>ALL DIMENSIONS ARE IN INCHES U.O.S. TOLERANCES UNLESS OTHERWISE SPECIFIED:</p> <p>.X = ± .12 ANGLES ±2° .XX = ± .06 FRACTIONS ±1/32 .XXX = ± .031</p> <p>REMOVE BURRS AND BREAK EDGES .005</p> <p>DO NOT SCALE THIS PRINT</p>	DRAWN BY: MJP	SHEET: 1 of 1	PART NUMBER: 760243184xx28xS
	CHECKED BY:	SCALE:	DESCRIPTION: METRO CELL, 18 IN INTEGRATED POLE SOLUTION
	DATE:	MATERIAL:	DRAWING TYPE:
	REVISION: A	FINISH:	
	WEIGHT:		



<p>These drawings and specifications are the proprietary property of CommScope Inc. and may be used only for the specific purpose authorized in writing by CommScope Inc.</p> <p>ALL DIMENSIONS ARE IN INCHES U.O.S. TOLERANCES UNLESS OTHERWISE SPECIFIED:</p> <p>.X = ± .12 ANGLES ±2° .XX = ± .06 FRACTIONS ±1/32 .XXX = ± .031</p> <p>REMOVE BURRS AND BREAK EDGES .005</p> <p>DO NOT SCALE THIS PRINT</p>	DRAWN BY: MJP	SHEET: 1 of 1	PART NUMBER: 760243184xx31xs
	CHECKED BY:	SCALE:	DESCRIPTION: METRO CELL, 18 IN INTEGRATED POLE SOLUTION
	DATE:	MATERIAL:	DRAWING TYPE:
	REVISION: A	FINISH:	WEIGHT:



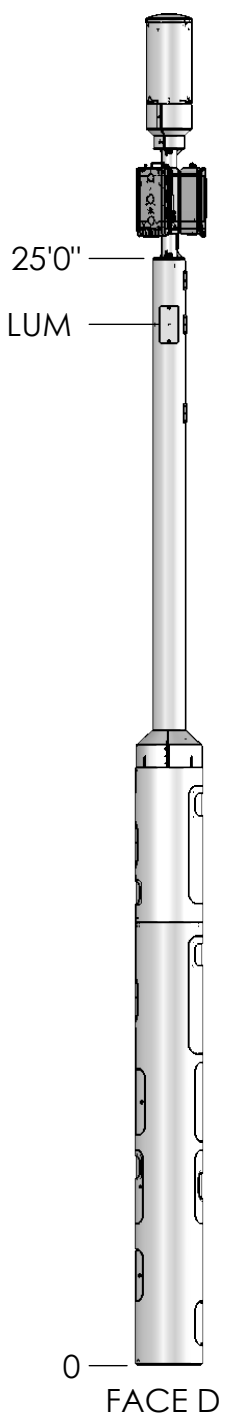
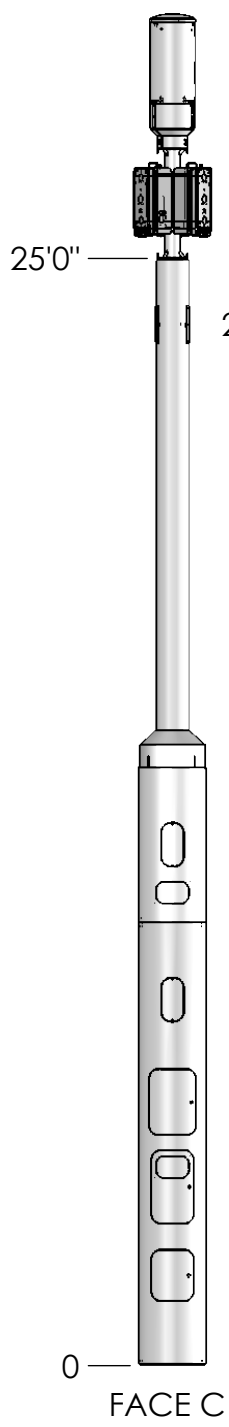
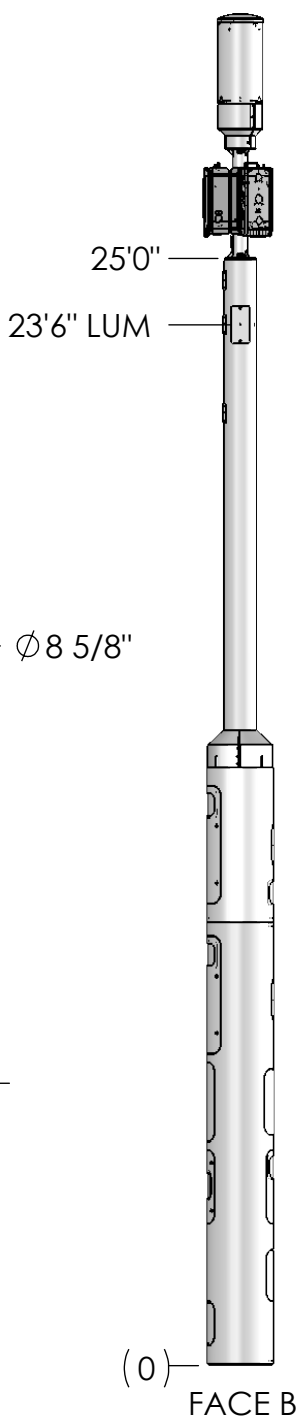
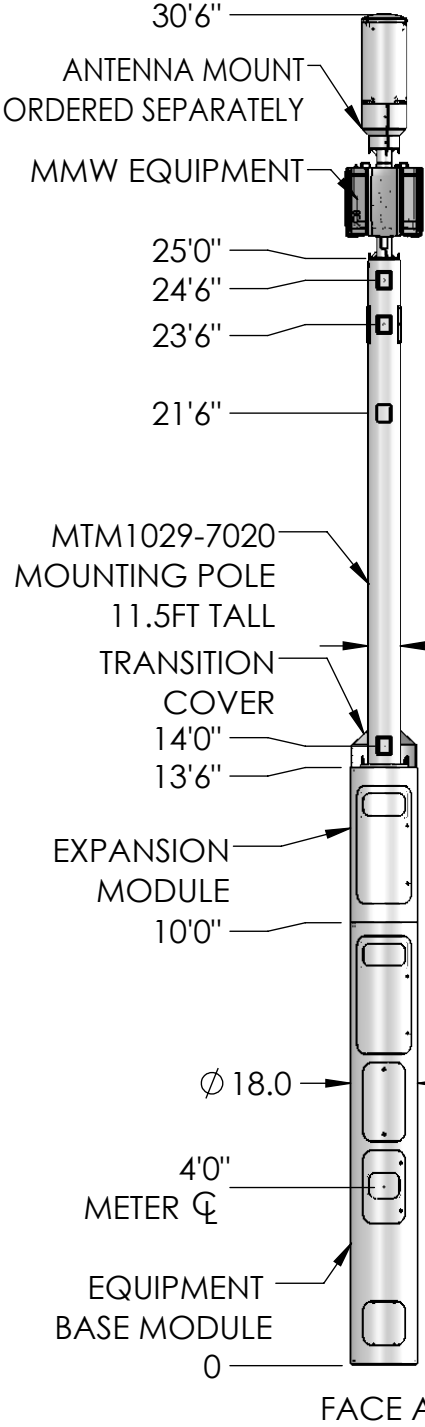


<p>These drawings and specifications are the proprietary property of CommScope Inc. and may be used only for the specific purpose authorized in writing by CommScope Inc.</p> <p>ALL DIMENSIONS ARE IN INCHES U.O.S. TOLERANCES UNLESS OTHERWISE SPECIFIED:</p> <p>.X = ± .12 ANGLES ±2° .XX = ± .06 FRACTIONS ±1/32 .XXX = ± .031</p> <p>REMOVE BURRS AND BREAK EDGES .005</p> <p>DO NOT SCALE THIS PRINT</p>	DRAWN BY: MJP	SHEET: 1 of 1	PART NUMBER: 760243184xx38xS
	CHECKED BY:	SCALE:	DESCRIPTION: METRO CELL, 18 IN INTEGRATED POLE SOLUTION
	DATE:	MATERIAL:	DRAWING TYPE:
	REVISION: A	FINISH:	WEIGHT:

COMMSCOPE®

D

D



C

C

B

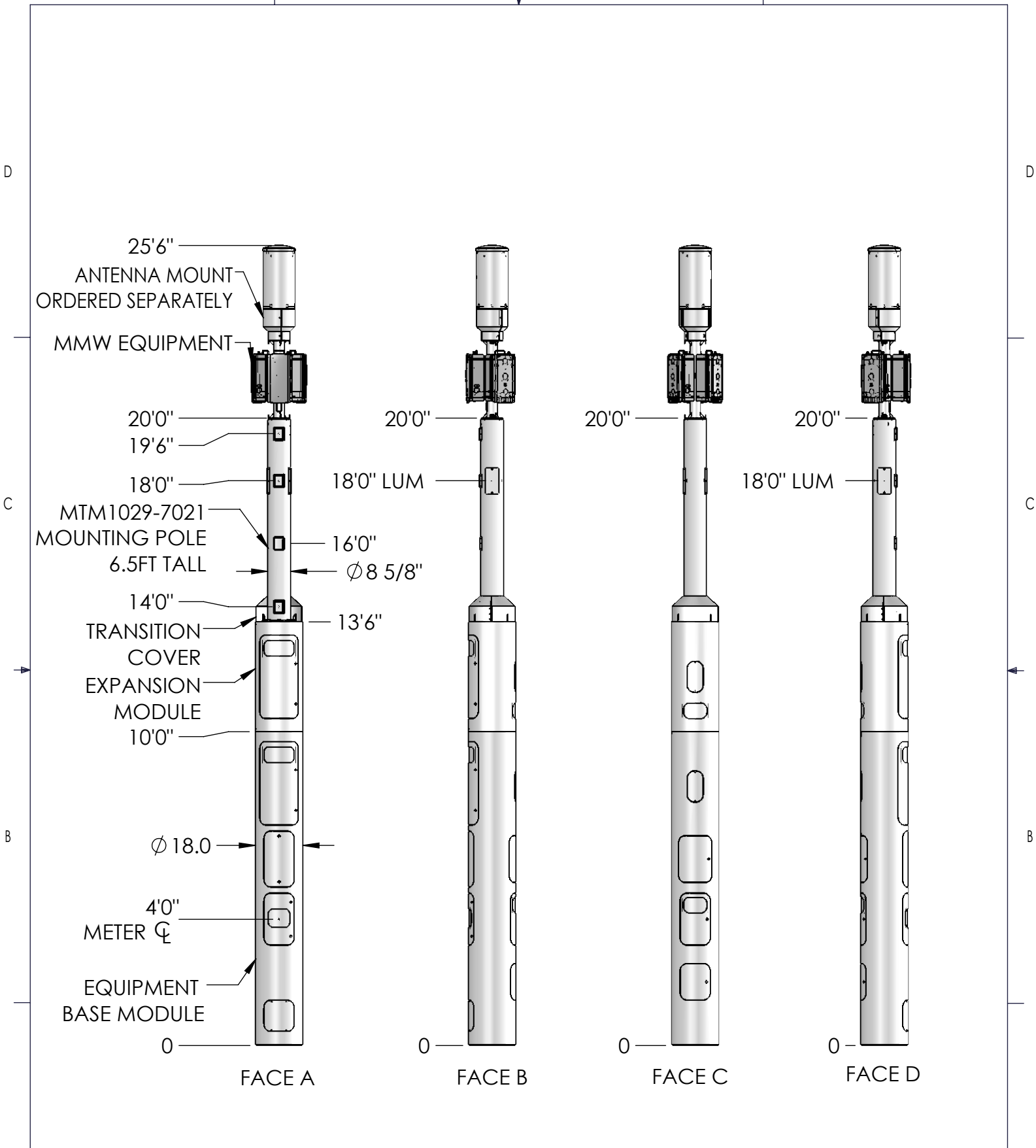
B

A

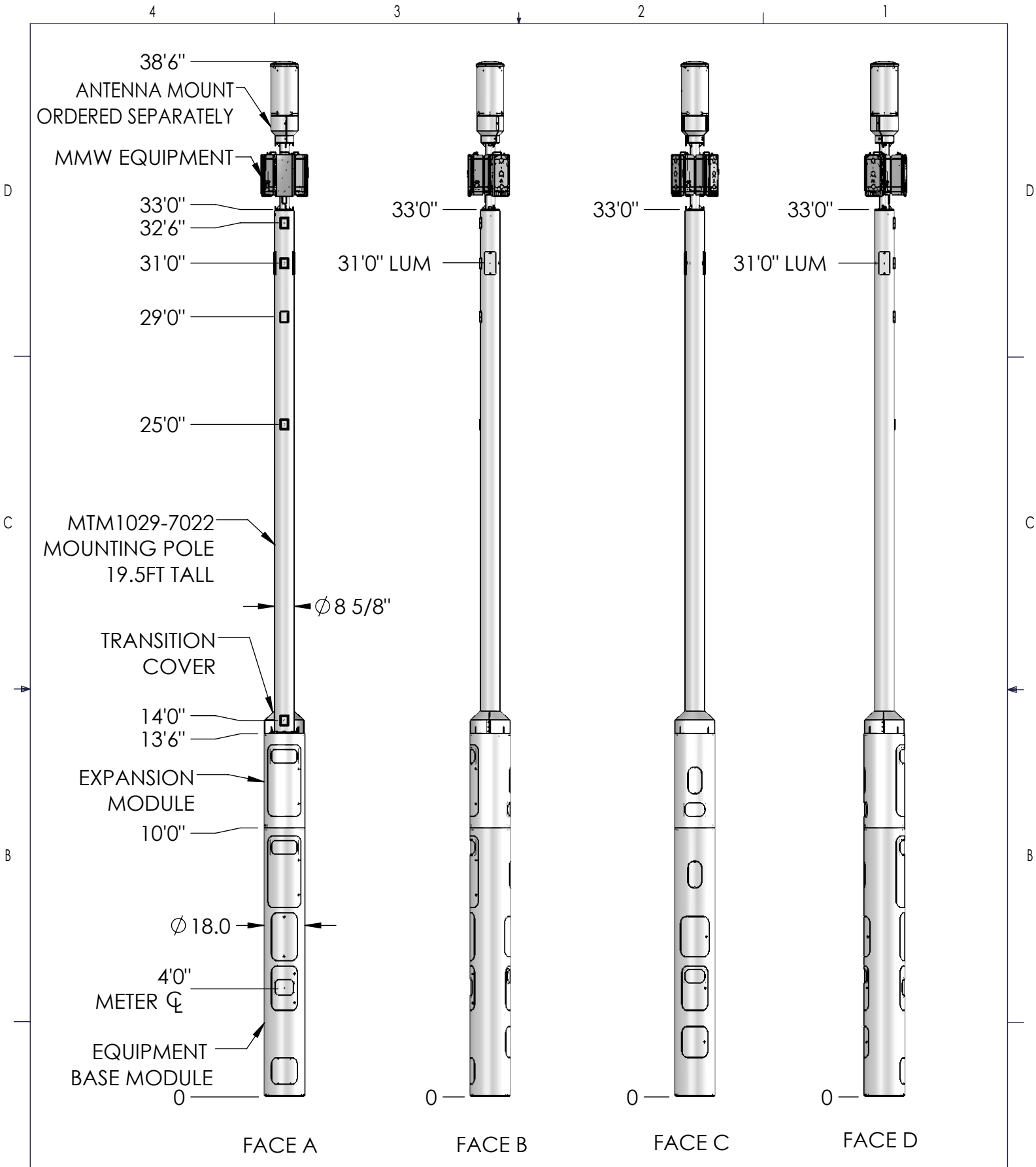
A

<p>These drawings and specifications are the proprietary property of CommScope Inc. and may be used only for the specific purpose authorized in writing by CommScope Inc.</p> <p>ALL DIMENSIONS ARE IN INCHES U.O.S. TOLERANCES UNLESS OTHERWISE SPECIFIED:</p> <p>.X = ± .12 ANGLES ±2°</p> <p>.XX = ± .06 FRACTIONS ±1/32</p> <p>.XXX = ± .031</p> <p>REMOVE BURRS AND BREAK EDGES .005</p> <p>DO NOT SCALE THIS PRINT</p>	<p>DRAWN BY: MJP</p>	<p>SHEET: 1 of 1</p>	<p>PART NUMBER: 760243184xx25xS</p>
	<p>CHECKED BY:</p>	<p>SCALE:</p>	<p>DESCRIPTION: METRO CELL, 18 IN INTEGRATED POLE SOLUTION</p>
	<p>DATE:</p>	<p>MATERIAL:</p>	<p>DRAWING TYPE:</p>
	<p>REVISION: A</p>	<p>FINISH:</p>	<p>WEIGHT:</p>

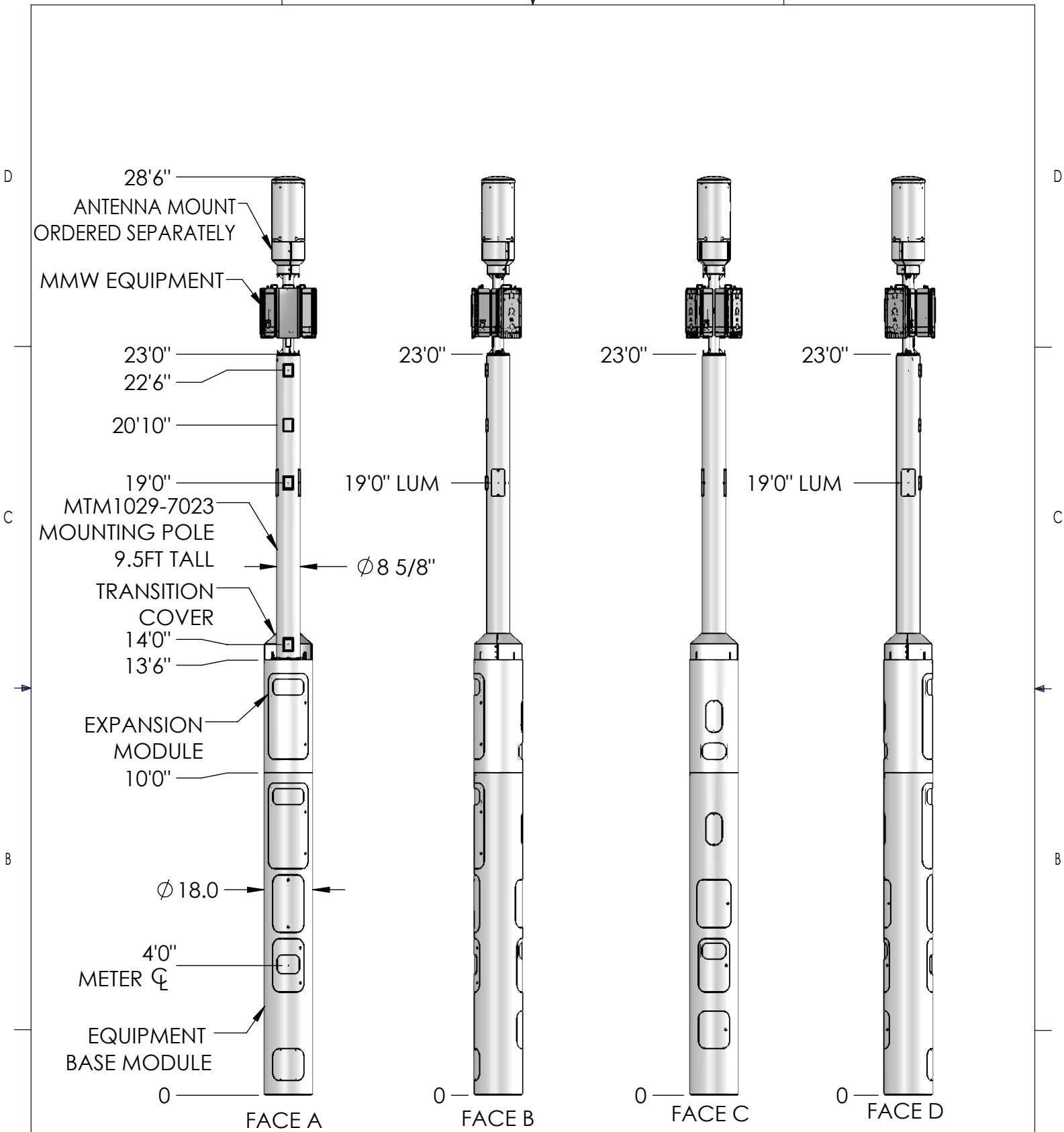




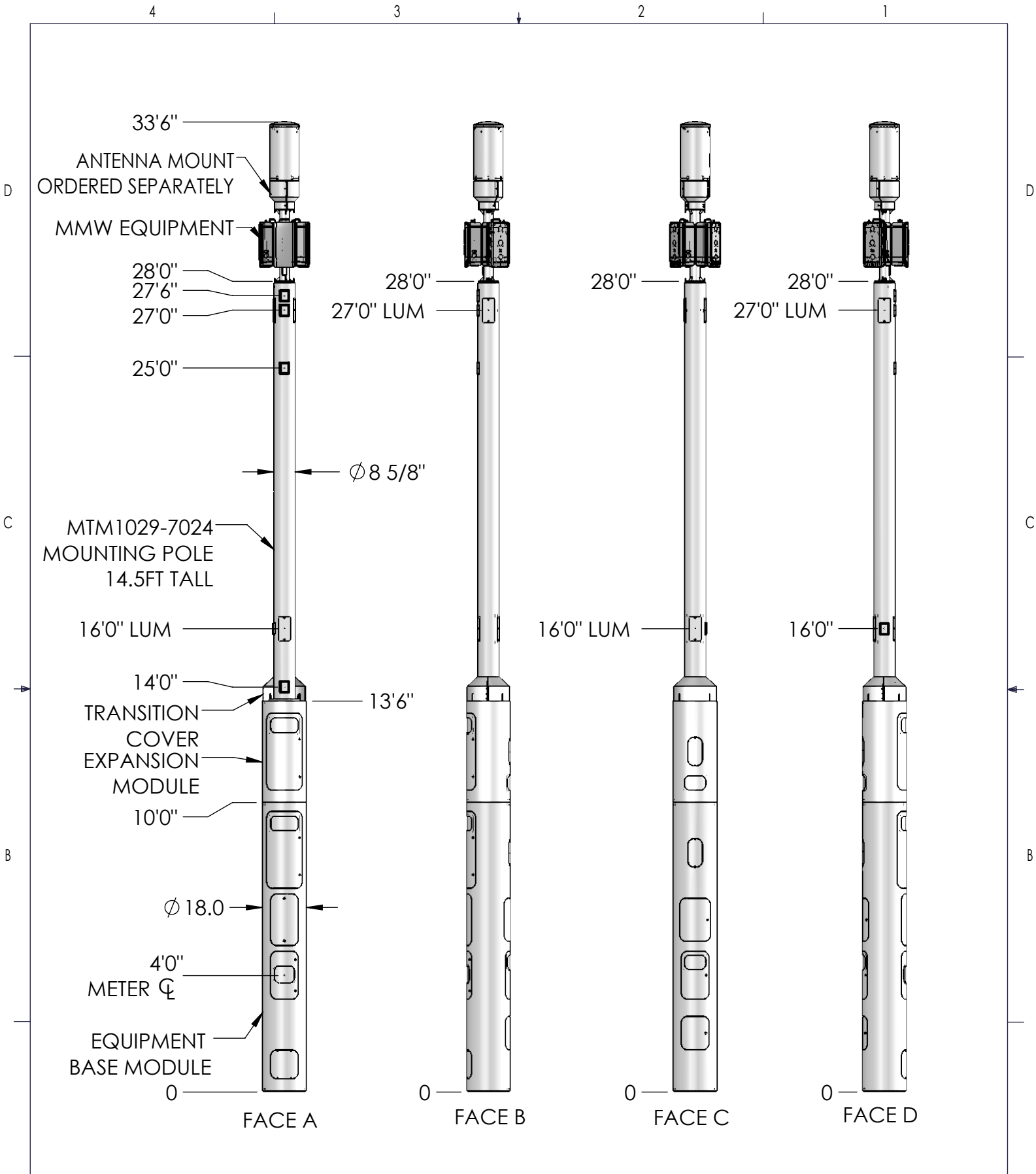
<p>These drawings and specifications are the proprietary property of CommScope Inc. and may be used only for the specific purpose authorized in writing by CommScope Inc.</p> <p>ALL DIMENSIONS ARE IN INCHES U.O.S. TOLERANCES UNLESS OTHERWISE SPECIFIED:</p> <p>.X = ± .12 ANGLES ±2° .XX = ± .06 FRACTIONS ±1/32 .XXX = ± .031</p> <p>REMOVE BURRS AND BREAK EDGES .005</p> <p>DO NOT SCALE THIS PRINT</p>	DRAWN BY: MJP	SHEET: 1 of 1	PART NUMBER: 760243184xx20xS
	CHECKED BY:	SCALE:	DESCRIPTION: METRO CELL, 18 IN INTEGRATED POLE SOLUTION
	DATE:	MATERIAL:	DRAWING TYPE:
	REVISION: A	FINISH:	
		WEIGHT:	



<p>These drawings and specifications are the proprietary property of CommScope Inc. and may be used only for the specific purpose authorized in writing by CommScope Inc.</p> <p>ALL DIMENSIONS ARE IN INCHES U.O.S. TOLERANCES UNLESS OTHERWISE SPECIFIED:</p> <p>.X = ± .12 ANGLES ±2°</p> <p>.XX = ± .06 FRACTIONS ±1/32</p> <p>.XXX = ± .031</p> <p>REMOVE BURRS AND BREAK EDGES .005</p> <p>DO NOT SCALE THIS PRINT</p>	<p>DRAWN BY: MJP</p>	<p>SHEET: 1 of 1</p>	<p>PART NUMBER: 760243184xx33xS</p>
	<p>CHECKED BY:</p>	<p>SCALE:</p>	<p>DESCRIPTION: METRO CELL, 18 IN INTEGRATED POLE SOLUTION</p>
	<p>DATE:</p>	<p>MATERIAL:</p>	<p>DRAWING TYPE:</p>
	<p>REVISION: A</p>	<p>FINISH:</p>	<p>WEIGHT:</p>



<p>These drawings and specifications are the proprietary property of CommScope Inc. and may be used only for the specific purpose authorized in writing by CommScope Inc.</p> <p>ALL DIMENSIONS ARE IN INCHES U.O.S. TOLERANCES UNLESS OTHERWISE SPECIFIED:</p> <p>.X = ± .12 ANGLES ±2° .XX = ± .06 FRACTIONS ±1/32 .XXX = ± .031</p> <p>REMOVE BURRS AND BREAK EDGES .005</p> <p>DO NOT SCALE THIS PRINT</p>	DRAWN BY: MJP	SHEET: 1 of 1	PART NUMBER: 760243184xx23xS
	CHECKED BY:	SCALE:	DESCRIPTION: METRO CELL, 18 IN INTEGRATED POLE SOLUTION
	DATE:	MATERIAL:	DRAWING TYPE:
	REVISION: A	FINISH:	
	WEIGHT:		



<p>These drawings and specifications are the proprietary property of CommScope Inc. and may be used only for the specific purpose authorized in writing by CommScope Inc.</p> <p>ALL DIMENSIONS ARE IN INCHES U.O.S. TOLERANCES UNLESS OTHERWISE SPECIFIED:</p> <p>.X = ± .12 ANGLES ±2° .XX = ± .06 FRACTIONS ±1/32 .XXX = ± .031</p> <p>REMOVE BURRS AND BREAK EDGES .005</p> <p>DO NOT SCALE THIS PRINT</p>	DRAWN BY: MJP	SHEET: 1 of 1	PART NUMBER: 760243184xx28xS
	CHECKED BY:	SCALE:	DESCRIPTION: METRO CELL, 18 IN INTEGRATED POLE SOLUTION
	DATE:	MATERIAL:	DRAWING TYPE:
	REVISION: A	FINISH:	WEIGHT:

