

E14F15P35



Single Quadplexer 694-960/1350-1525/1710-1880/1920-2690 MHz,
DC Bypass on Low port, with 4.3-10 connectors

- Industry leading PIM performance
- Designed for network modernization application, introduction of LTE2300 and LTE2600 on existing site
- Designed for network modernization application, introduction of LTE 4x4 MIMO
- Suitable for feeders cables reduction
- New 4.3-10 connectors for improved PIM performance and size reduction
- dc/AISG pass-through on low frequency ports

Product Classification

Product Type Quadplexer

General Specifications

Color Gray

Modularity 1-Single

Mounting Pole | Wall

Mounting Pipe Hardware Band clamps (2)

RF Connector Interface 4.3-10 Female

Dimensions

Height 45.5 mm | 1.791 in

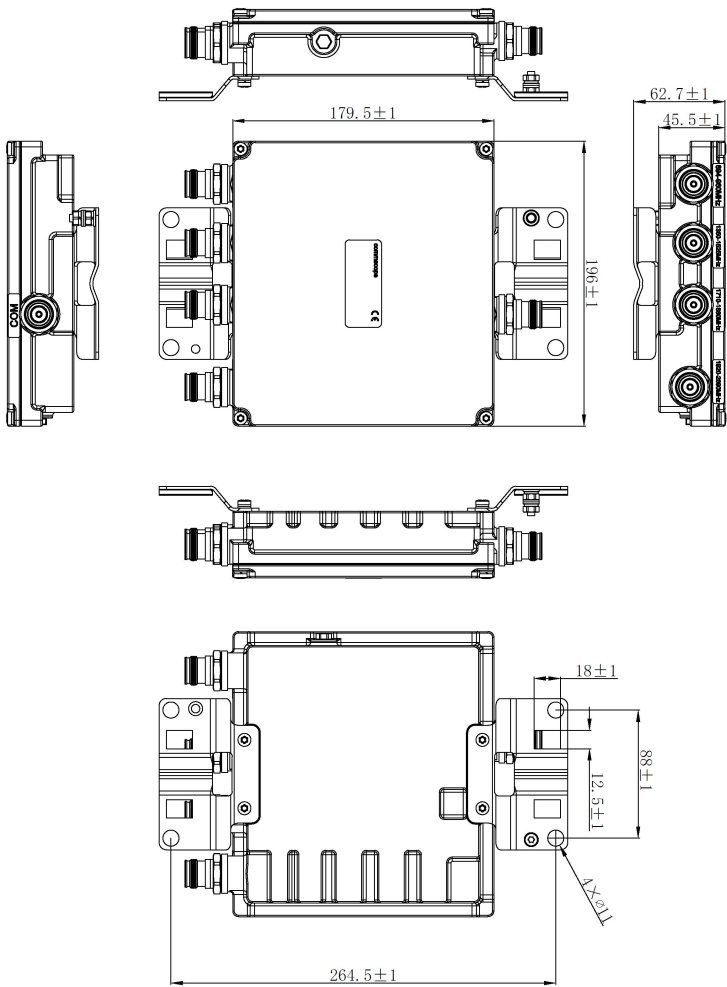
Width 196 mm | 7.717 in

Depth 179.5 mm | 7.067 in

Mounting Pipe Diameter Range 43–122 mm

Outline Drawing

E14F15P35



Electrical Specifications

Impedance 50 ohm

Electrical Specifications, dc Power/Alarm

Lightning Surge Current 5 kA

Lightning Surge Current Waveform 8/20 waveform

Electrical Specifications

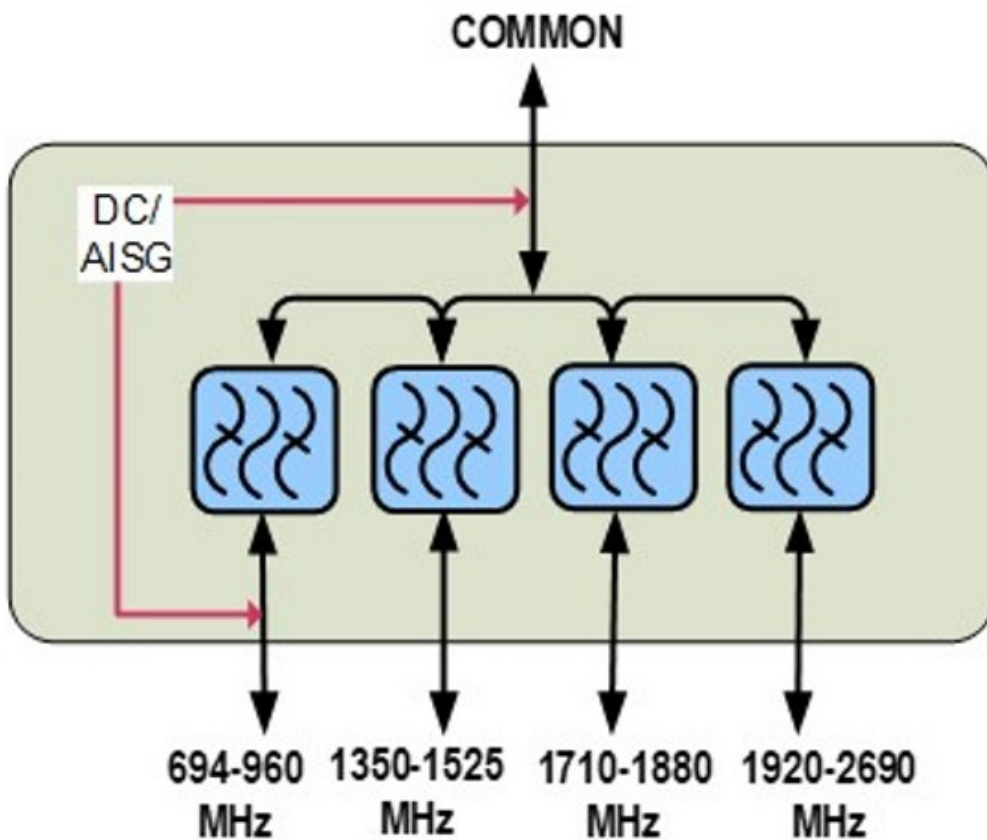
Sub-module	1 2	1 2	1 2	1 2
Branch	1	2	3	4
Port Designation	PORT 1 694-960MHz	PORT 2 1350-1525MHz	PORT 3 1710-1880MHz	PORT 4 1920-2690MHz

E14F15P35

Electrical Specifications, Band Pass

Frequency Range, MHz	694–960	1350–1525	1710–1880	1920–2690
Insertion Loss, typical, dB	0.2	0.25	0.45	0.45
Return Loss, typical, dB	20	20	20	20
Isolation, typical, dB	40	40	40	40
Input Power, RMS, maximum, W	100	100	100	100
Input Power, PEP, maximum, W	1000	1000	1000	1000
3rd Order PIM, typical, dBc	-163	-163	-163	-163
3rd Order PIM Test Method	Two +43 dBm carriers	Two +43 dBm carriers	Two +43 dBm carriers	Two +43 dBm carriers

Block Diagram



Mechanical Specifications

Wind Speed, maximum 240 km/h (149 mph)

E14F15P35

Environmental Specifications

Operating Temperature	-40 °C to +65 °C (-40 °F to +149 °F)
Corrosion Test Method	IEC 60068-2-11, 30 days
Environmental Test Method	ETSI EN 300 019-1-4
Ingress Protection Test Method	IEC 60529:2001, IP67
Vibration Test Method	IEC 60068-2-6

Packaging and Weights

Included	Mounting hardware
Volume	1.6 L
Weight, net	2.6 kg 5.732 lb
Weight, without mounting hardware	2.4 kg 5.291 lb