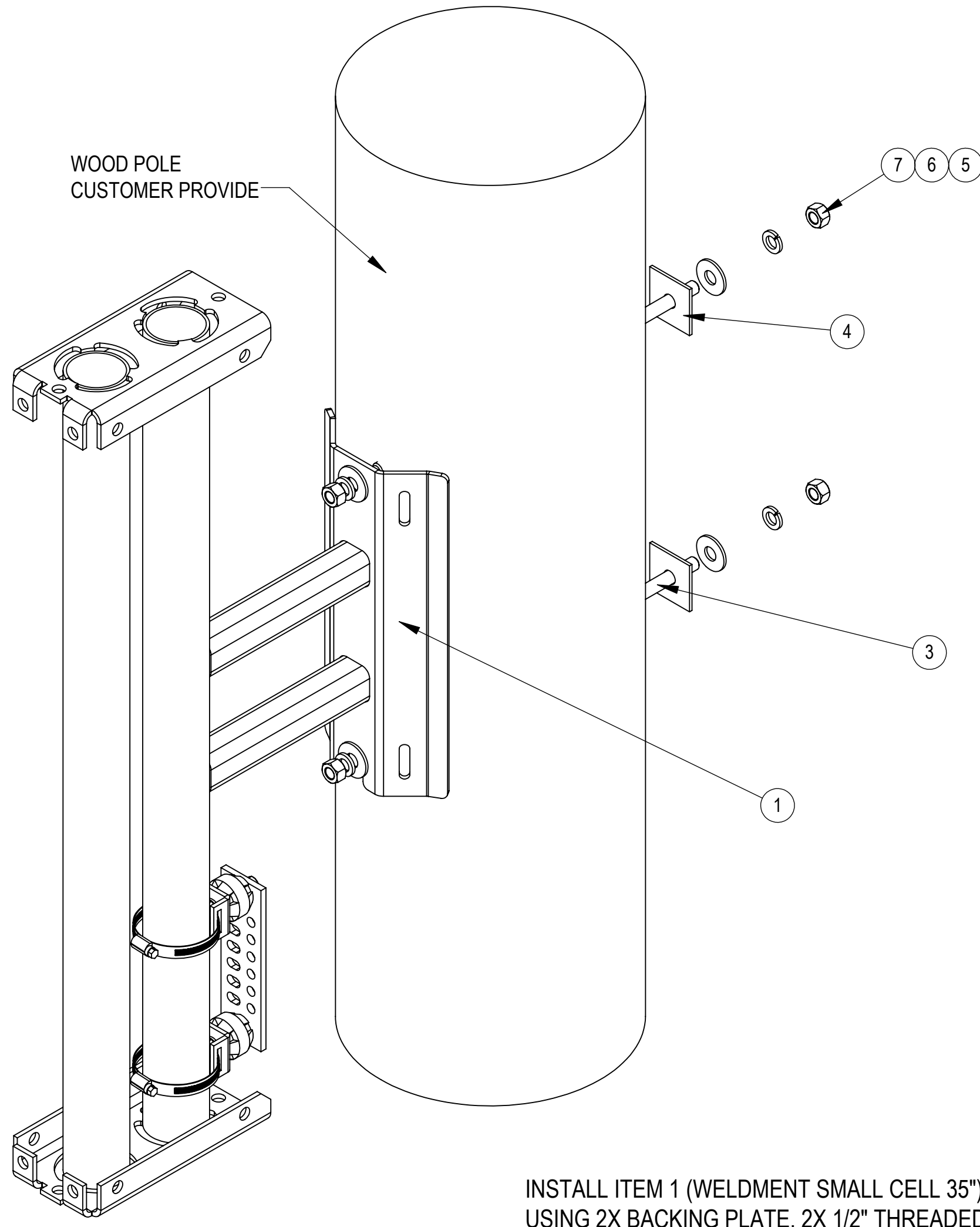


1. GENERAL NOTES
2. DESIGN NOTES
3. MANUFACTURING/SPECIAL REQUIREMENTS
  - 3.1 TORQUE HARDWARE ACCORDING TO SIZE AS NOTED BELOW.
    - > M5: TORQUE 23.0 IN-LB OR 2.6 N-M
    - > M6: TORQUE 40.0 IN-LB OR 4.5 N-M (W/ CLIP NUT)
    - > M6: TORQUE 75.0 IN-LB OR 8.5 N-M (W/ PEM NUT)
    - > M8: TORQUE 6.6 FT-LB OR 9.0 N-M
4. TEST
5. PACKAGING
  - 5.1 TO BE PACKAGED PER IS-PL-3005 REQUIREMENTS

REVISIONS				
REV.	ECN	DESCRIPTION	BY	DATE
A	40140677CMO	INITIAL RELEASE	DM1121	12/21/2021
B	40146841CMO	UPDATE INSTALLATION METHOD	DM1121	4/13/2022



INSTALL ITEM 1 (WELDMNT SMALL CELL 35") TO WOOD POLE, USING 2X BACKING PLATE, 2X 1/2" THREADED ROD, 4X 1/2" HEX NUT, FLAT WASHER & LOCK WASHER,

BOM IS FOR REFERENCE ONLY. SEPARATELY SUPPLIED SAP BOM CONTROLS CONTENT

ITEM NO.	PART NUMBER	DESCRIPTION	INSTALL/QTY.
1	MTC38880135	WLDMNT, RRU SMALL CELL,35"	1
2	MTM1152-1000	RADIO MOUNT BRACKET ASSY	2
3	MT37916	1/2" X 16" GALV THREADED ROD	2
4	SW-12	BACKING PLATE, .125" X 2" X 2" W/ 9/16" HOLE	2
5	GWF-04	1/2" GALV FLAT WASHER	4
6	GWL-04	1/2" GALV LOCK WASHER	8
7	GN-04	1/2" GALV HEX NUT	4
8	MTC9415	M8 X 25mm HEX BOLT SS	8
9	MTC9418	M8 LOCK WASHER SS	8
10	MTC9419	M8 FLAT WASHER SS	8
11	100534-356	SCR,HCS,HEX,M5X12,SST,PASS	8
12	100522-19	WSHR,LK,SPLT, M5,SST, PASS	8
13	100521-19	WSHR,FLAT,M5,5.3X10X1,SST,PASS	8
14	460143456	CLIP NUT, M6, 316 SST	8
15	100117-4	FA,SEMS,PH,XRES,M6X25,SST,PASS	8

DENSITY	0.01	lbs/in <sup>3</sup>
MASS	51.57	lbs
VOLUME	4099.31	in <sup>3</sup>
SURFACE AREA	13991	in <sup>2</sup>
HEIGHT	35	
LENGTH	32.5	
WIDTH	12.3	

**COMMSCOPE, INC. OF NORTH CAROLINA**

TOLERANCES  
 1 PLACE .X ± 0.12      3 PLACE .XXX ± 0.03  
 2 PLACE .XX ± 0.06      ANGLES ± 2

SAP MATERIAL MASTER

FINISH: SEE BOM      MATERIAL: SEE BOM

REV.	NAME	DATE	TITLE
CE	DM1121	12/26/2021	<b>INSTRUCTION, WPB,NOKIA,DUAL AND TRI BAND</b>
RW	DM1121	01/21/2022	
AD	LL1090	01/25/2022	
RE	YC1015	01/25/2022	

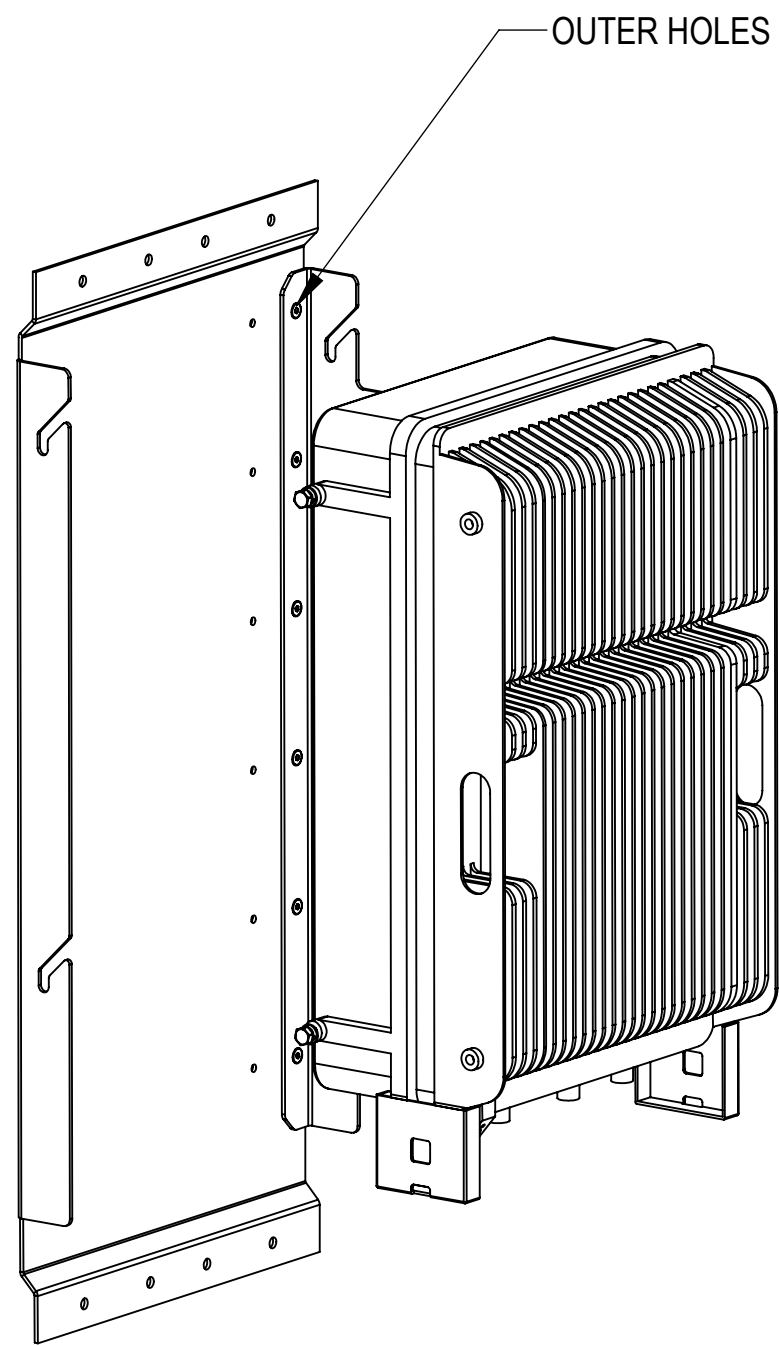
SCALE: **1:8**      DOCUMENT NO. **760235296NS INSTALL**

ECN 40146841CMO

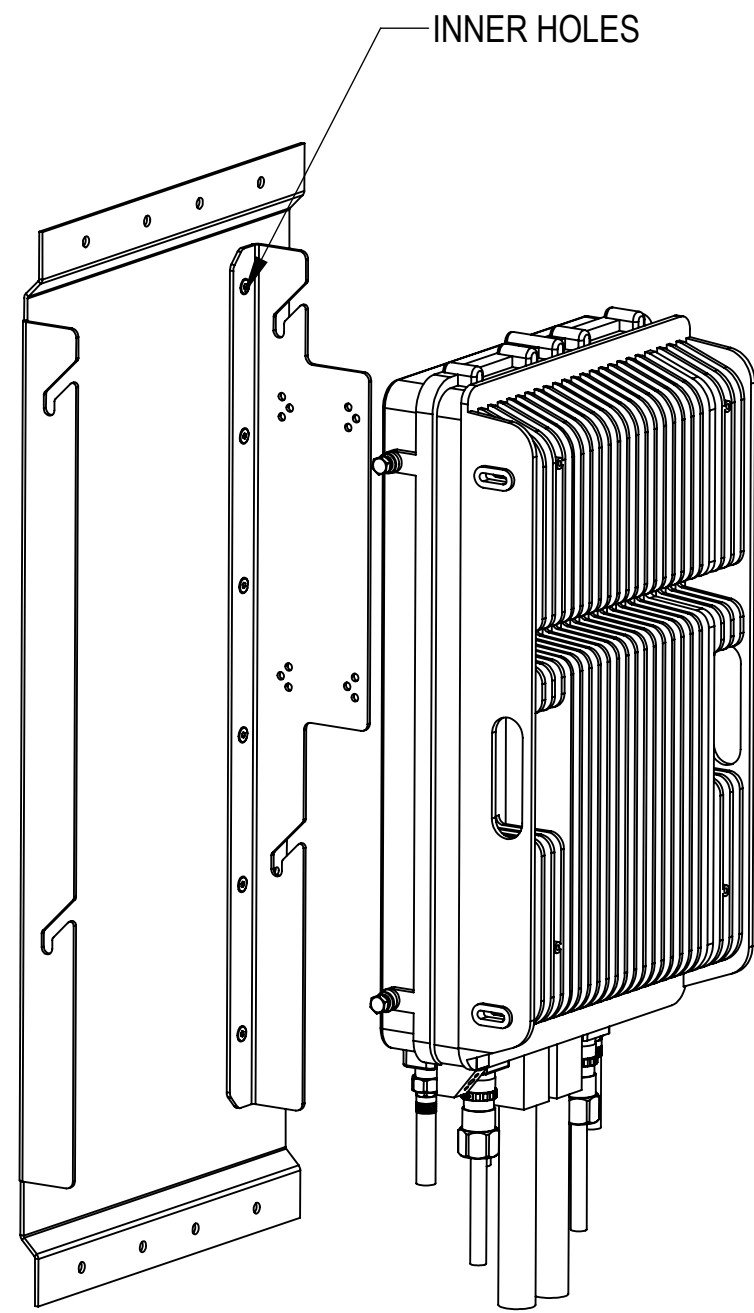
SIZE	Auth Group	INSL	MODEL	DRAWING			SHEET
<b>C</b>			VERSION	STATUS	REVISION	VERSION	STATUS
			00	RE	A	01	IW

1 OF 5

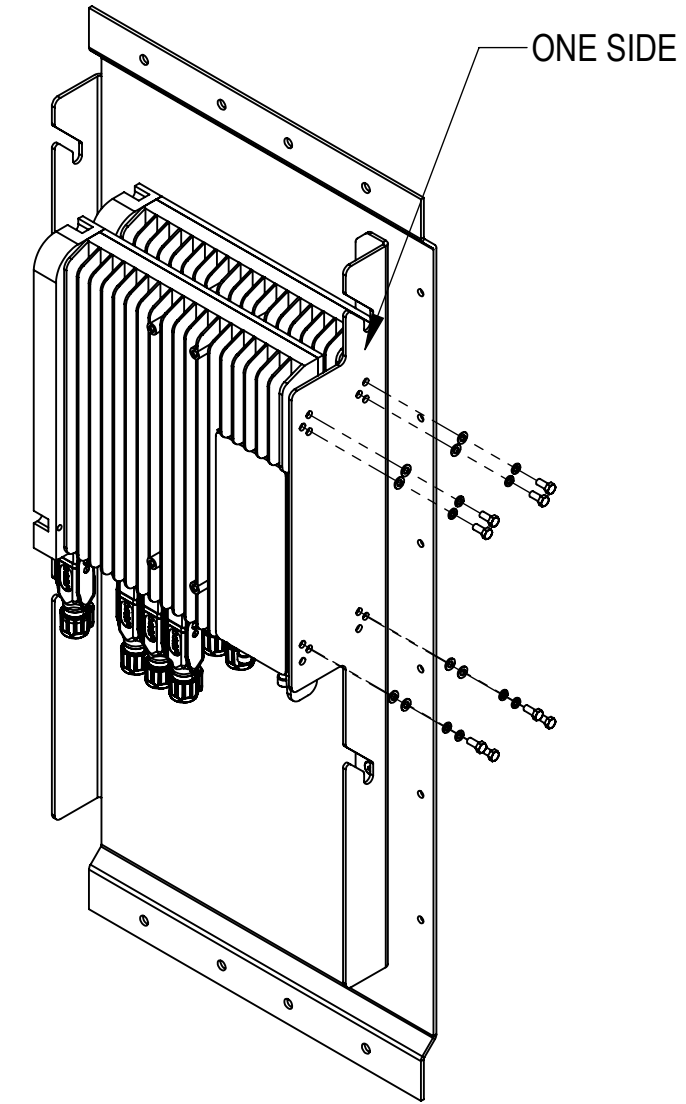
BRACKET INSTALLATION METHOD



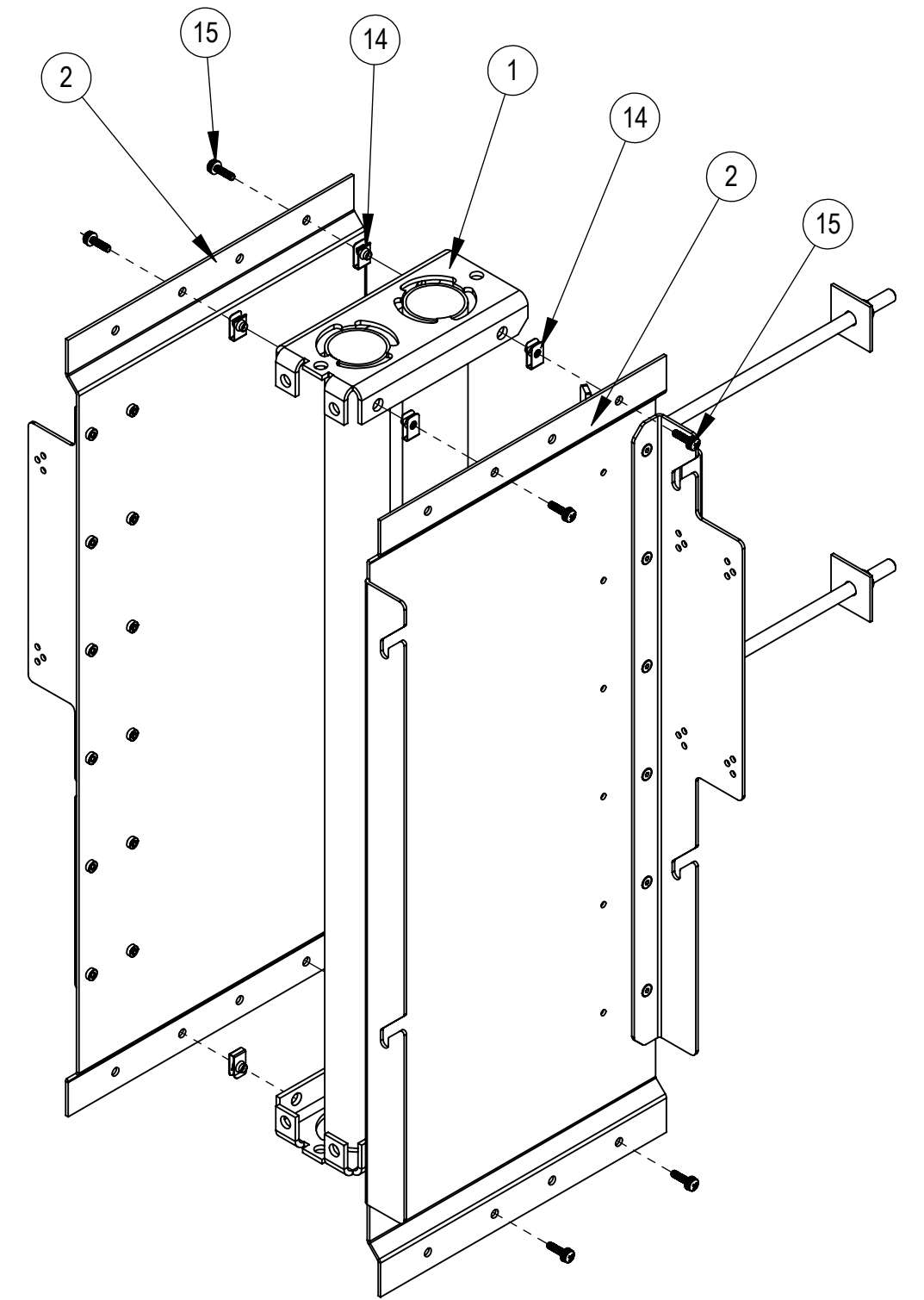
AHLBBA USE THE OUTER HOLES,  
THEN QUICKLY INSATALL ON BOTH SIDES




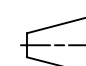
AHFIA OR AHFIB OR AHLBA USE THE INNER HOLES,  
THEN QUICKLY INSATALL ON BOTH SIDES



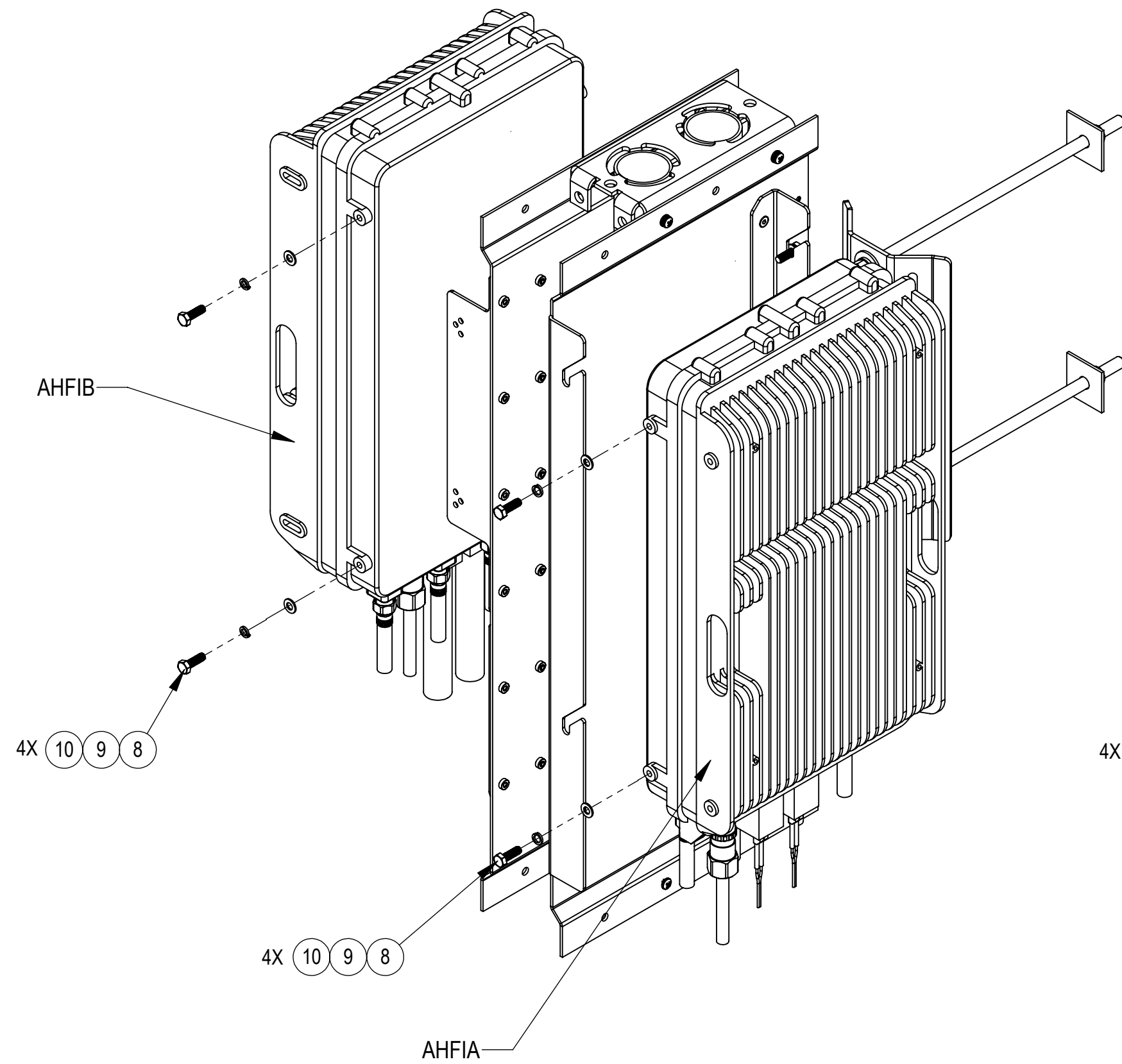
2X AZRB ONLY INSTALL ON ONE SIDE



INSTALL BRACKETS TO ITEM 1( WLDMNT, RRU SMALL CELL)  
IN DIFFERENT METHOD ACCORDING TO DIFFERENT RUs.  
USING 8X CLIP NUTAND 8X M6 SCREWS

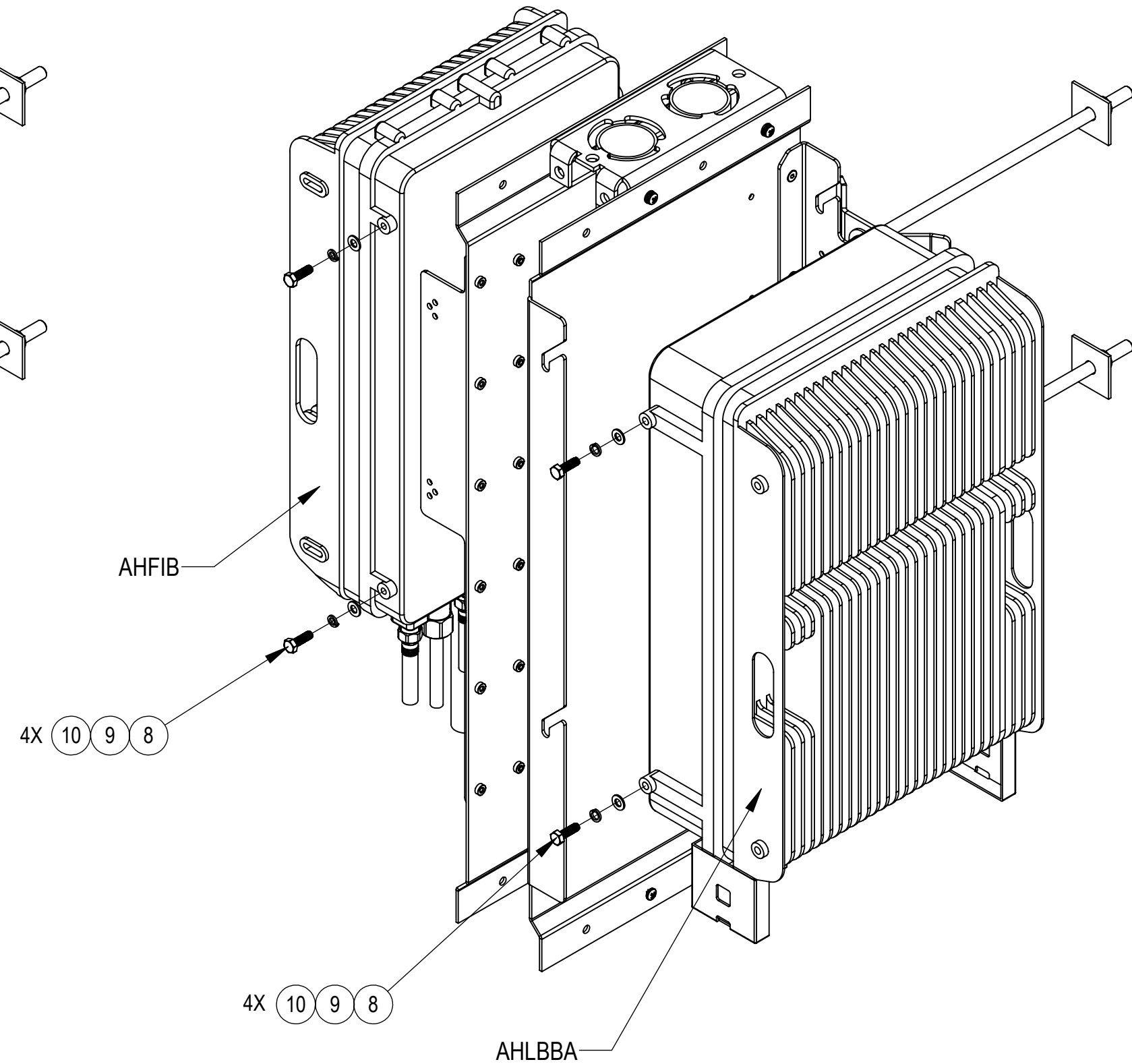
COMMSCOPE, INC. OF NORTH CAROLINA				
TITLE INSTRUCTION, WPB,NOKIA,DUAL AND TRI BAND				
SIZE <b>C</b>	SCALE <b>1:8</b>	DOCUMENT NO. <b>760235296NS INSTALL</b>		
DRAWING		VERSION	STATUS	REVISION
 		01	IW	
				SHEET 2 OF 5

# RRU MOUNTING




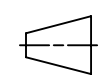
**CONFIG 1**

INSTALL RADIO AHFIA AND AHFIB TO THE BRACKETS USING 8X M8 SCREWS, LOCK WASHERS AND FLAT WASHERS

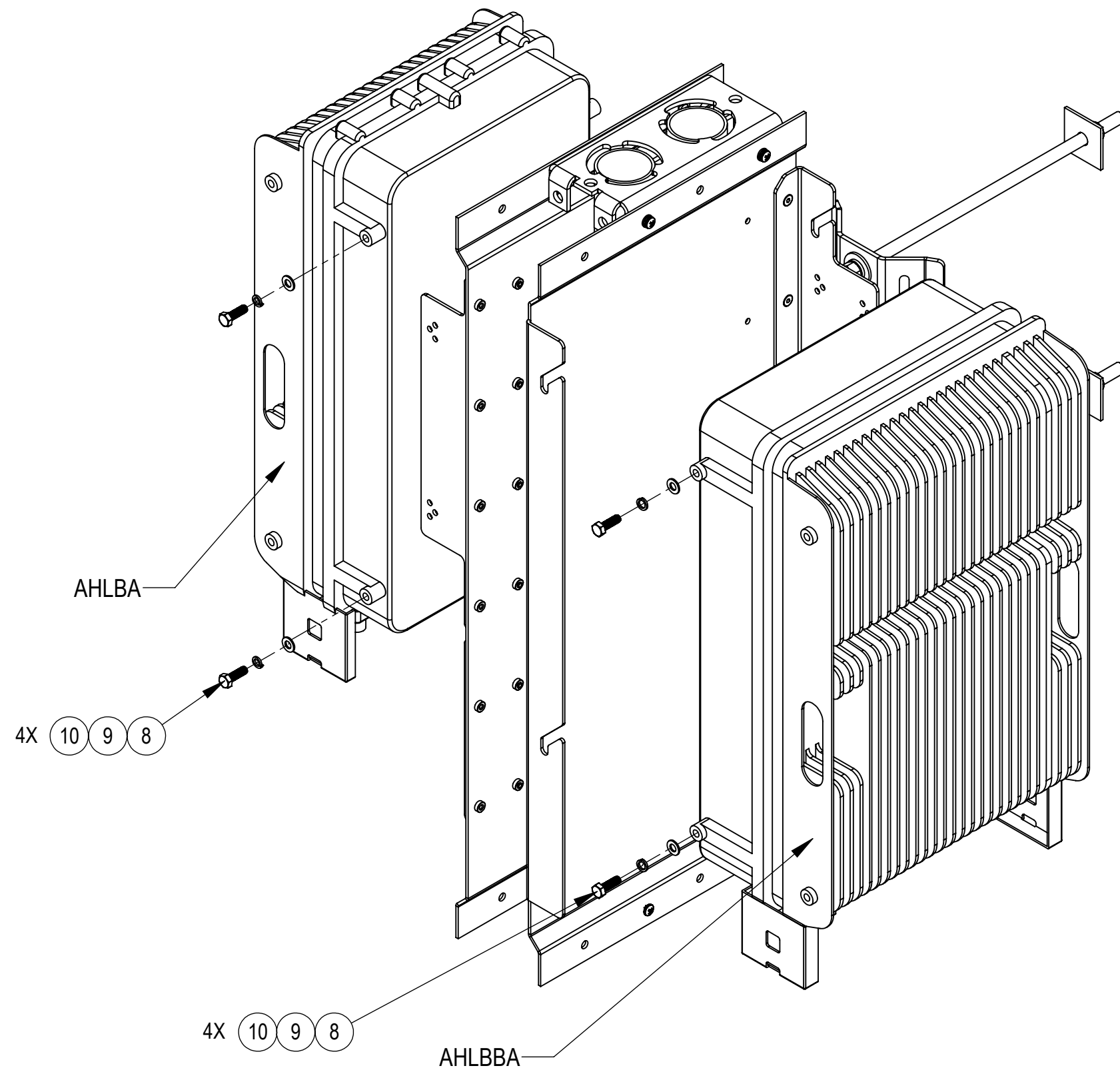


**CONFIG 2**

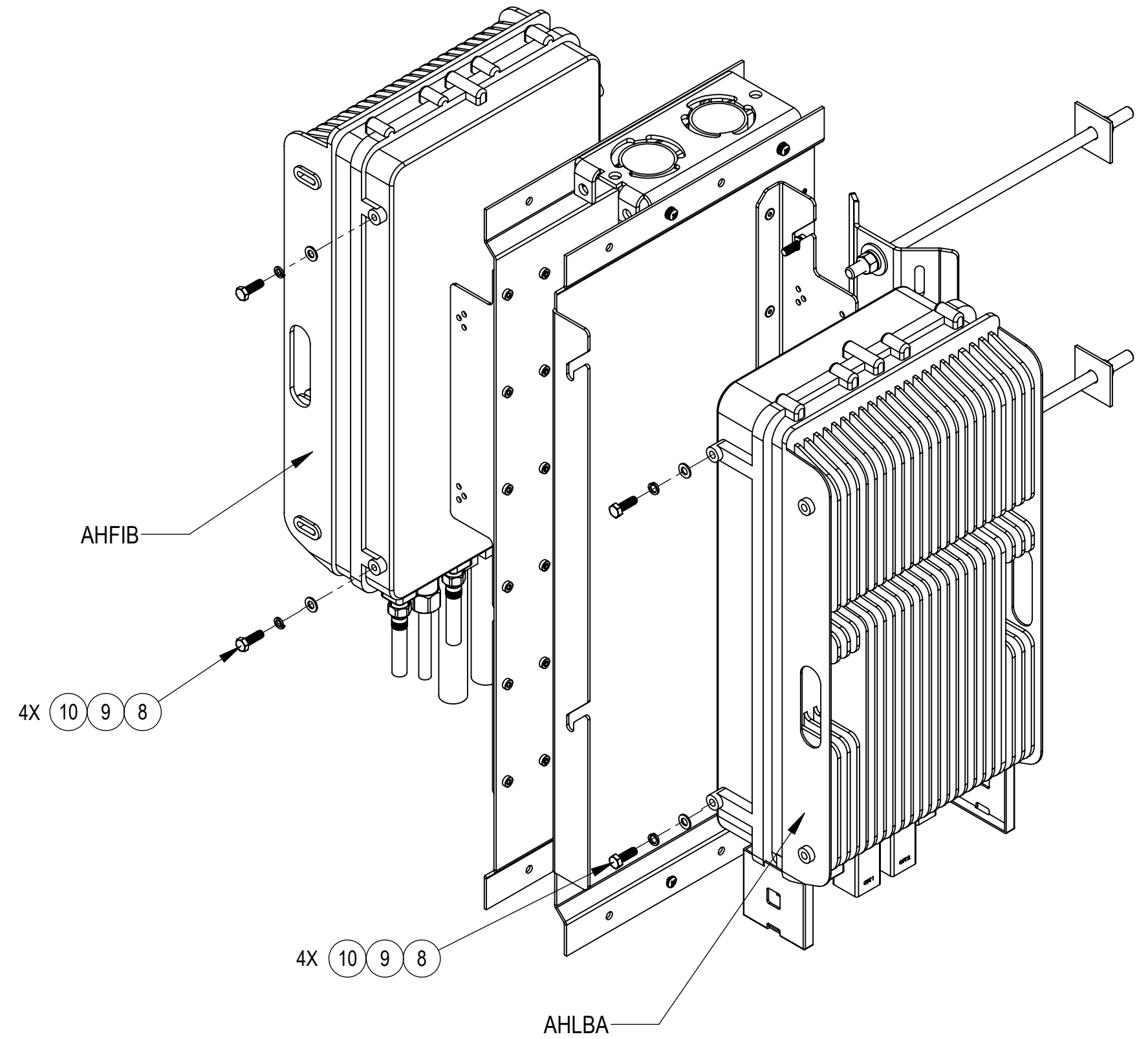
INSTALL RADIO AHFIB AND AHLBBA TO THE BRACKETS USING 8X M8 SCREWS, LOCK WASHERS AND FLAT WASHERS

COMMSCOPE, INC. OF NORTH CAROLINA				
TITLE INSTRUCTION, WPB,NOKIA,DUAL AND TRI BAND				
SIZE <b>C</b>	SCALE <b>1:12</b>	DOCUMENT NO. <b>760235296NS INSTALL</b>		
 		DRAWING		SHEET 3 OF 5
		VERSION 01	STATUS IW	


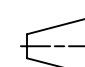
RRU MOUNTING



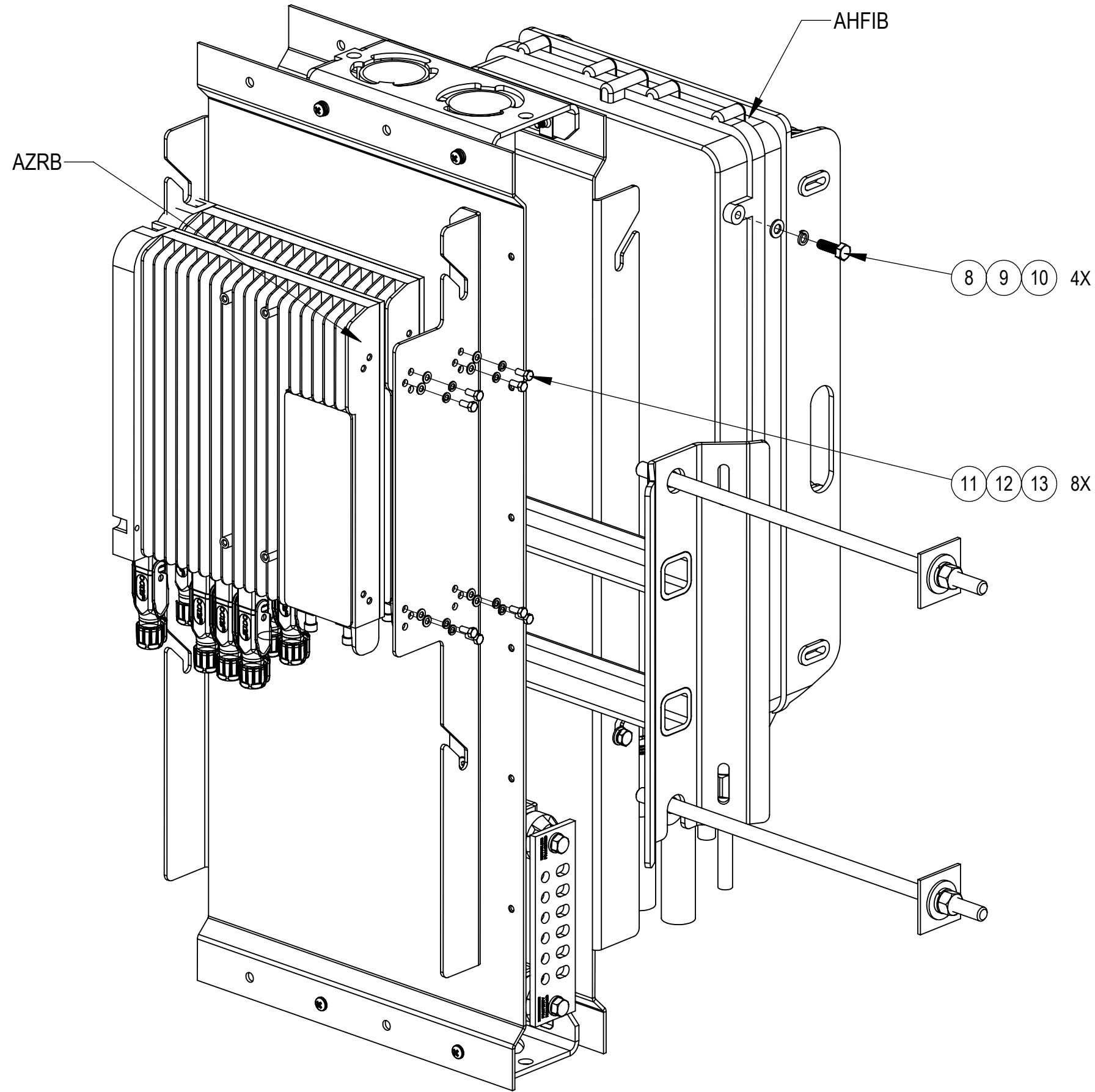
**CONFIG 3**  
 INSTALL RADIO AHLBA AND AHLBBA TO THE BRACKETS  
 USING 8X M8 SCREWS, LOCK WASHERS AND FLAT WASHERS



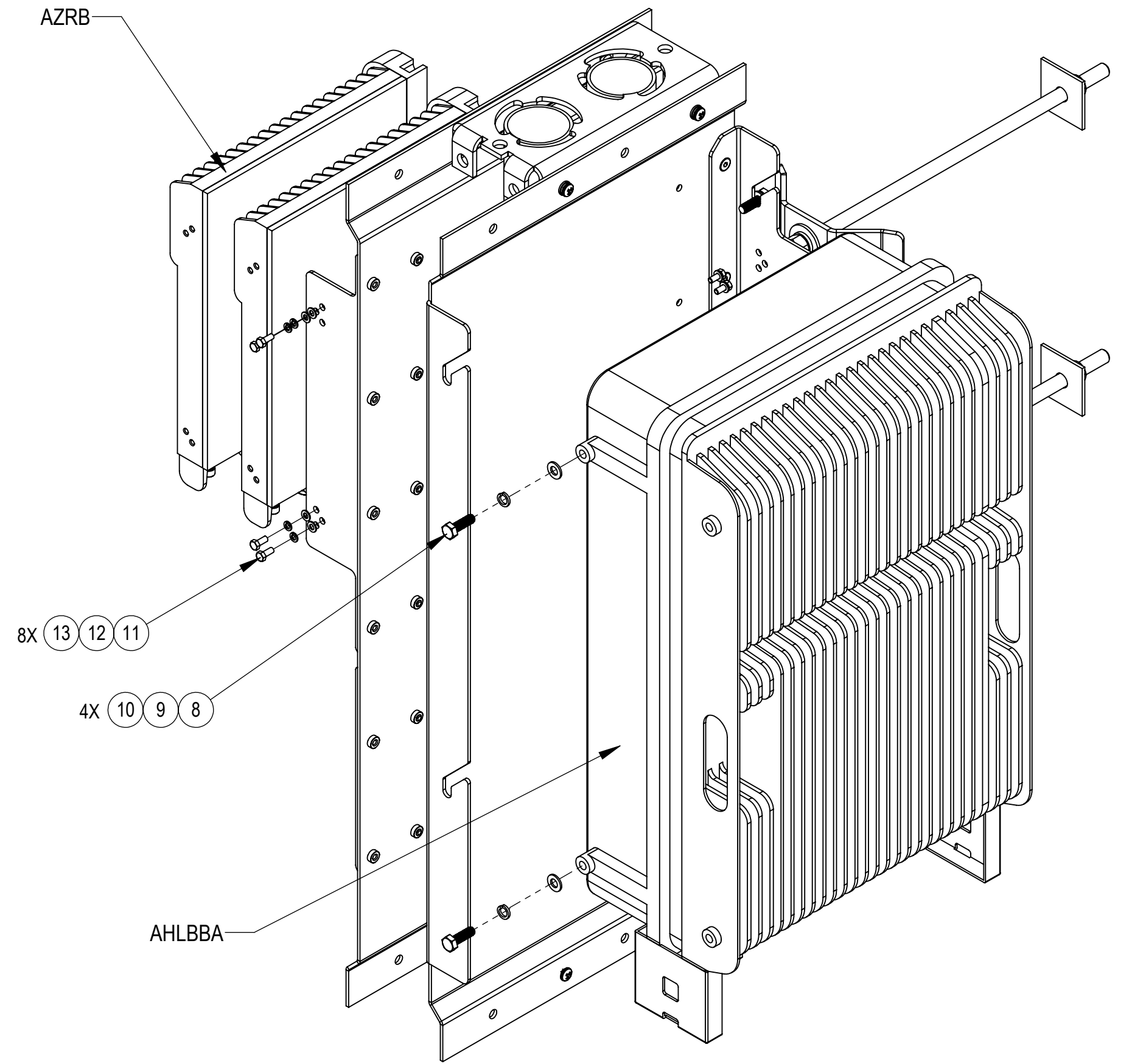
**CONFIG 4**  
 INSTALL RADIO AHFIB AND AHLBA TO THE BRACKETS  
 USING 8X M8 SCREWS, LOCK WASHERS AND FLAT WASHERS

COMMSCOPE, INC. OF NORTH CAROLINA				
TITLE INSTRUCTION, WPB,NOKIA,DUAL AND TRI BAND				
SIZE C	SCALE 1:12	DOCUMENT NO. 760235296NS INSTALL		
 		DRAWING		SHEET 4 OF 5
		VERSION 01	STATUS IW	

# RRU MOUNTING



**CONFIG 5**  
 INSTALL RADIO AHFIB USING 4X M8 SCREWS, LOCK WASHERS AND FLAT WASHERS  
 INSTALL PSU 2x AZRB USING 8X M5 SCREWS, LOCK WASHERS AND FLAT WASHERS



**CONFIG 6**  
 INSTALL RADIO AHLBBA USING 4X M8 SCREWS, LOCK WASHERS AND FLAT WASHERS  
 INSTALL PSU 2x AZRB USING 8X M5 SCREWS, LOCK WASHERS AND FLAT WASHERS

COMMSCOPE, INC. OF NORTH CAROLINA				
TITLE INSTRUCTION, WPB,NOKIA,DUAL AND TRI BAND				
SIZE <b>C</b>	SCALE <b>1:8</b>	DOCUMENT NO. <b>760235296NS INSTALL</b>		
		DRAWING		SHEET
		VERSION	STATUS	REVISION
		01	IW	
				SHEET 5 OF 5