

WMFE Fiber Optic Wall Mount Fiber Enclosure

The WMFE FTTX is a wall mounted fibre management system for broadband network architecture that provides optical signals to the customer premises.

Features:

- Compact and modular wall-mountable customer termination box
- Fibre splices can be managed in single circuits using the fibre organising systems.
- Cable coming into the enclosure is hidden by protective tubing which is secured to the external wall (not included)
- Three fixing holes located on the box so it can be secured tightly to the external wall.

Product Classification

Regional Availability	EMEA
Portfolio	CommScope®
Product Type	Fiber wall box
Product Series	WMFE

General Specifications

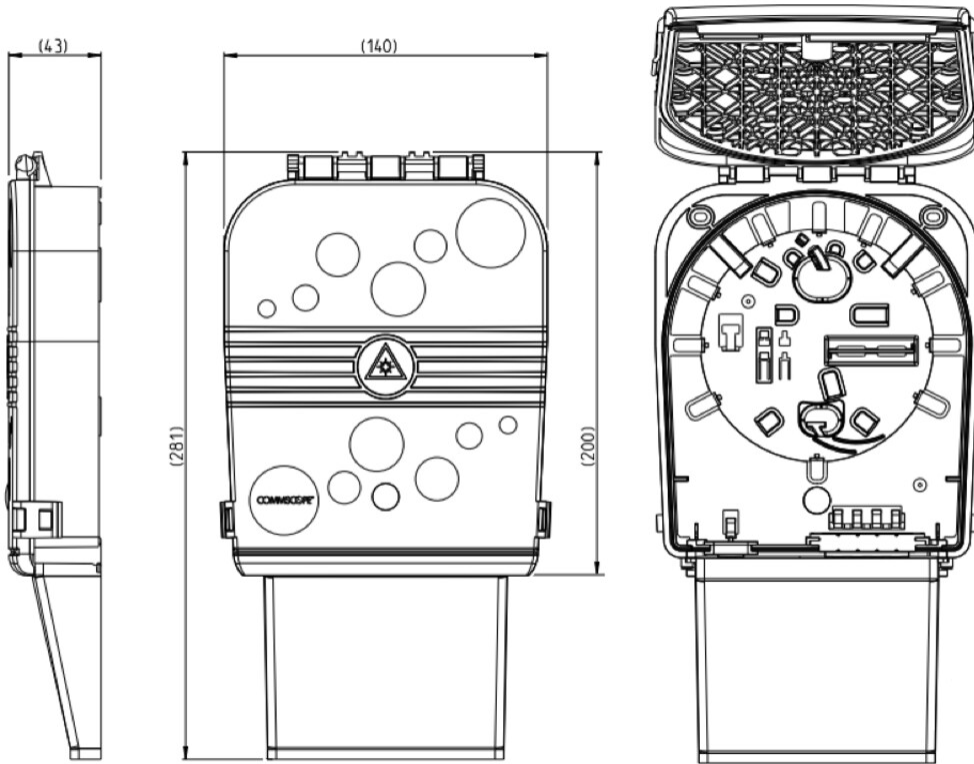
Cable Entry Location	Bottom
Color	Light Gray (RAL 7035)
Interface	LC/APC SC/APC Unloaded
Mounting	Wall mount
Patch Cord Routing	Downward
Patching Capacity, maximum	4
Port Capacity, maximum	4
Splicing Type	SMOUV

Dimensions

Height	196 mm 7.717 in
Height, with cover	281 mm 11.063 in
Width	154 mm 6.063 in
Depth	43 mm 1.693 in

WMFE

Dimension Drawing



Environmental Specifications

Flammability Rating	UL 94 V-0
UV Resistance	UV stabilized