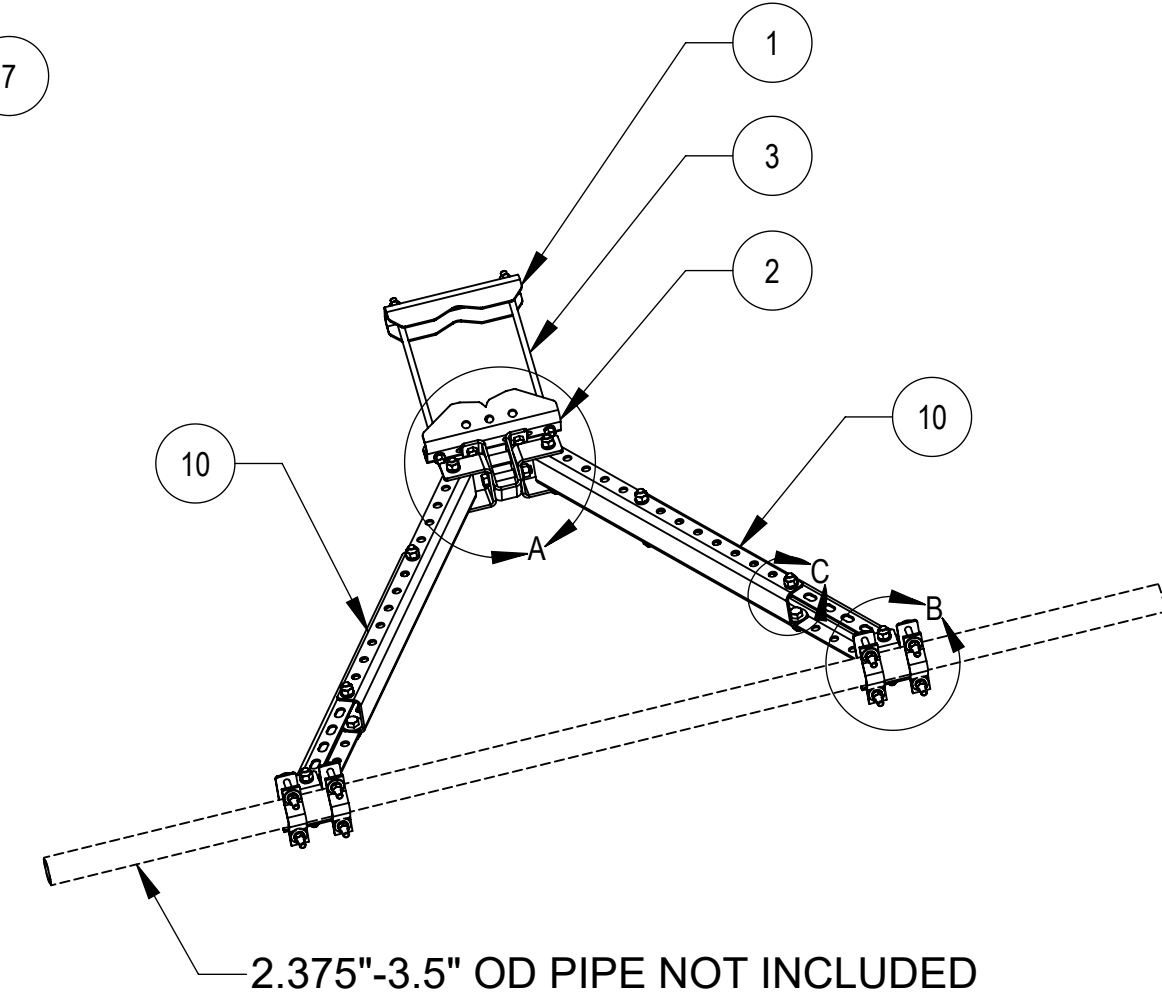
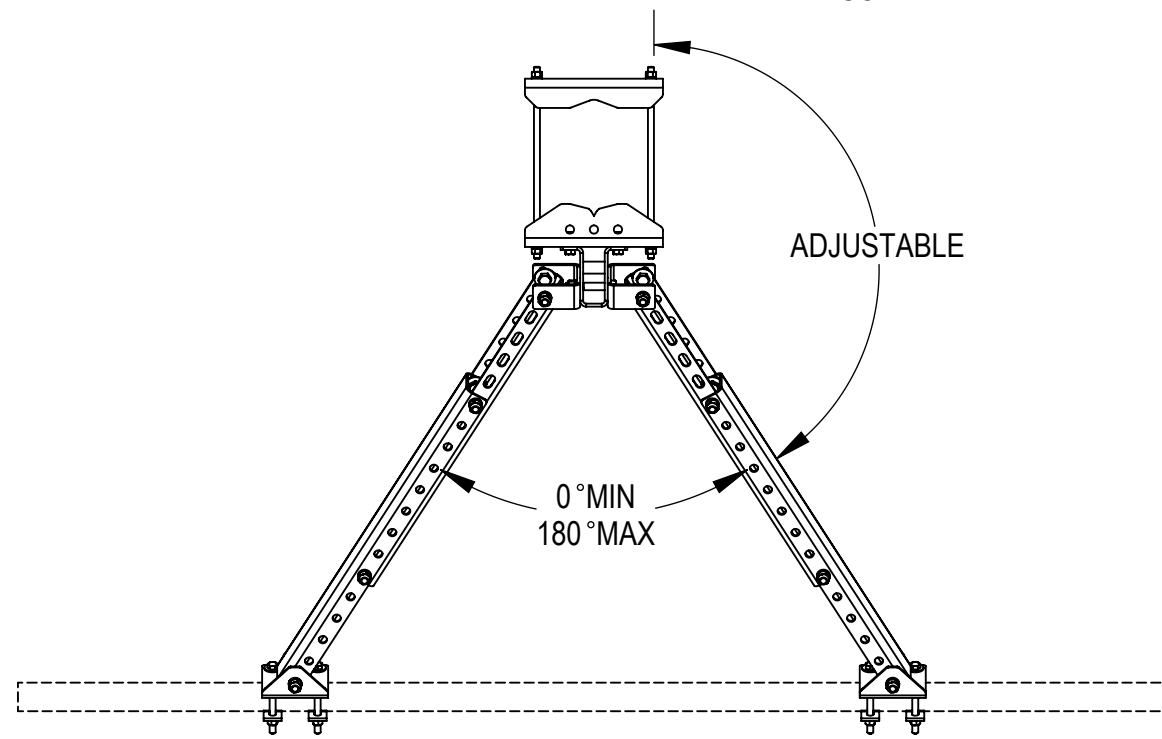
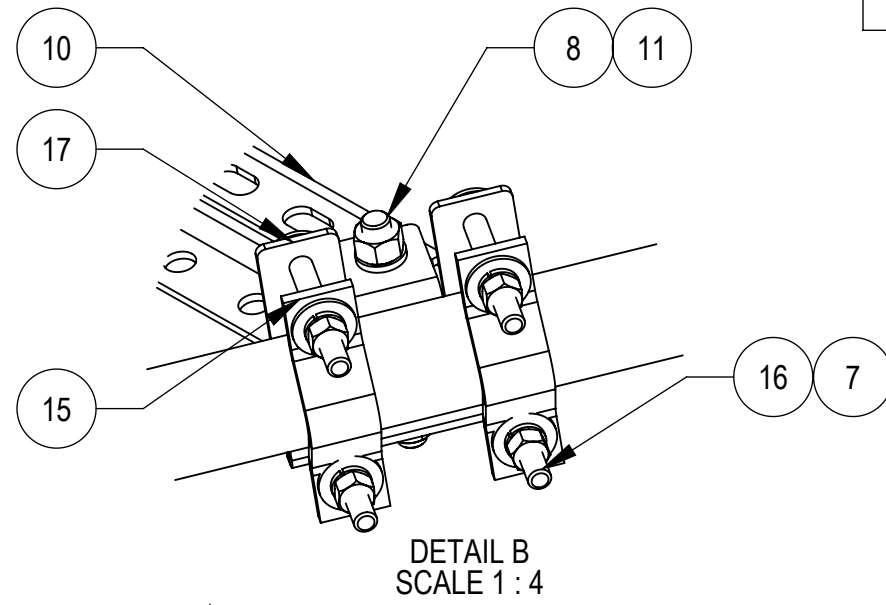
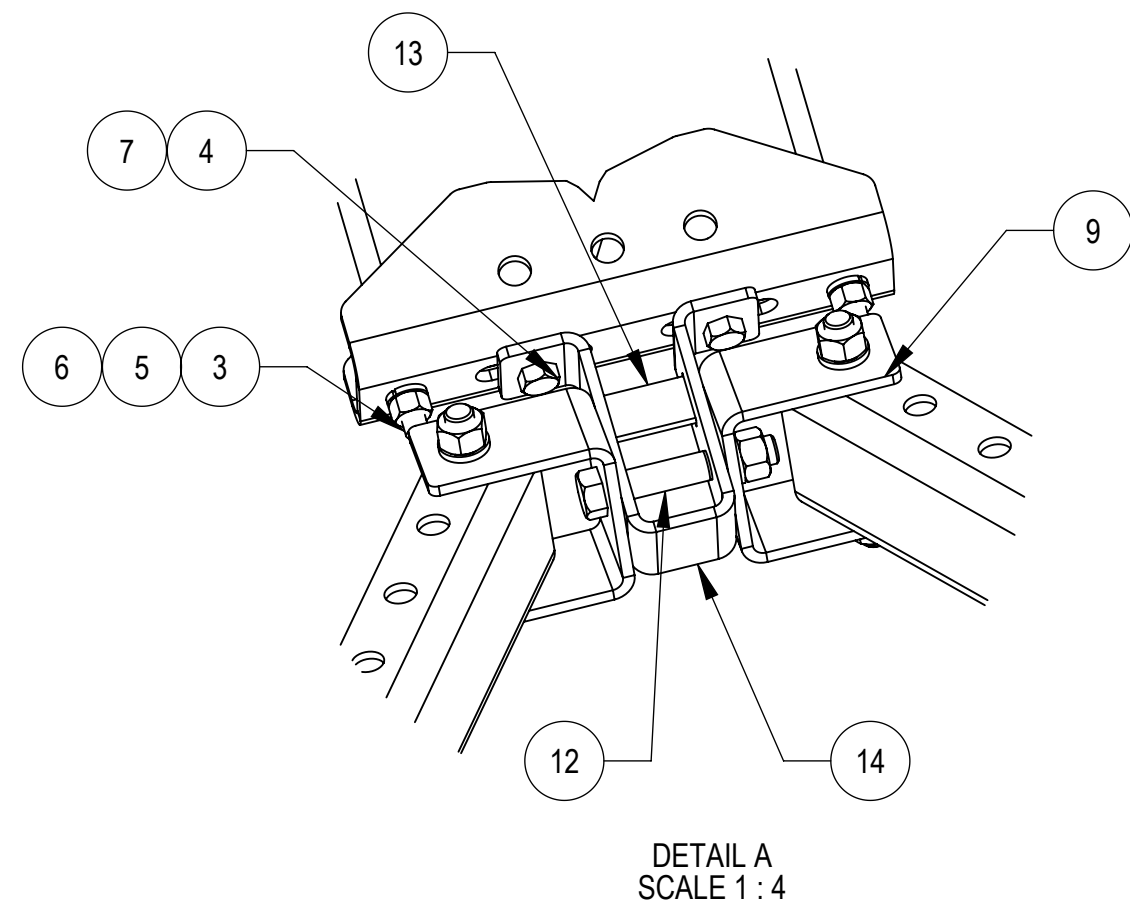


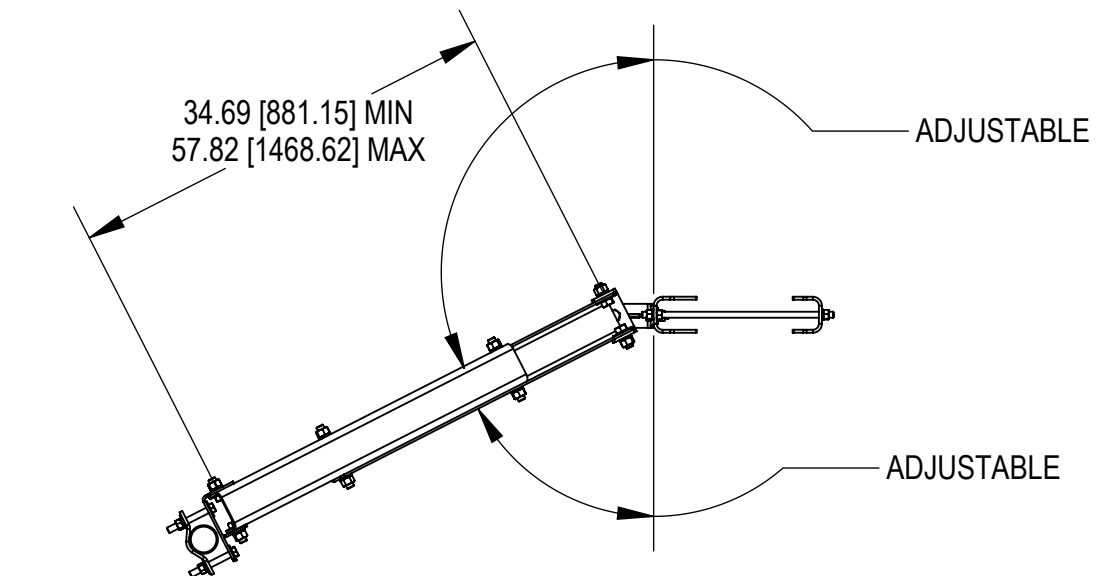
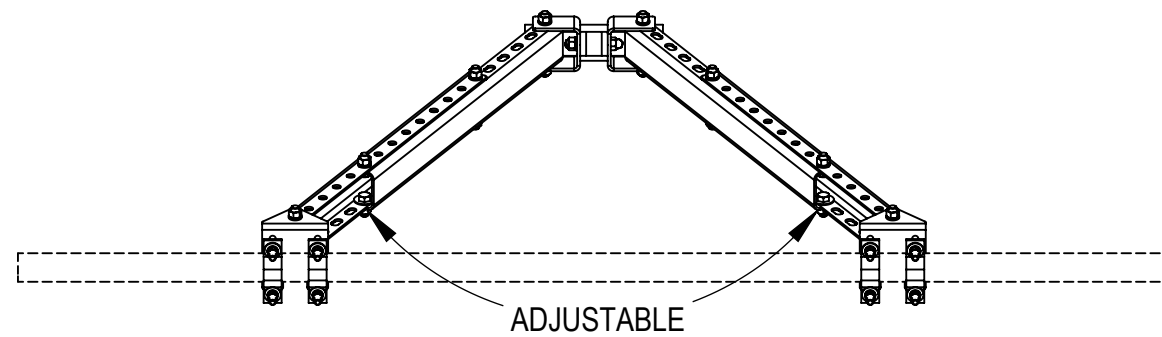
NOTES:

- 1. GENERAL
 - 1.1 ALL METRIC DIMENSIONS ARE IN BRACKETS
 - 1.2 MARK PART WITH IDENTIFICATION NUMBER
- 2. DESIGN NOTES
 - 2.1 FITS TOWER LEGS 2" TO 8" OD
 - 2.2 ALL DIMENSIONS SHOWN ARE FOR REFERENCE ONLY
ALL CONNECTIONS ARE ADJUSTABLE. FINAL INSTALLED APPLICATION DICTATES FINISHED DIMENSIONS.
- 3. MANUFACTURING/SPECIAL REQUIREMENTS
 - 3.1 TIGHTEN ALL BOLTS SECURING FLAT PLATES BY THE TURN-OF-NUT OF THE U-BOLT METHOD. TIGHTEN ALL U-BOLTS USING TURN-OF-NUT METHOD WITH ATTENTION TO LEAVE EQUAL DISTANCE AND EQUAL FORCE ON EACH LEG
 - 3.2 FINISH: GALVANIZE ASTM A123
- 4. TEST
- 5. PACKAGING
 - 5.1 PACKAGING SHALL MEET COMMSCOPE REQUIREMENTS PER DOCUMENT IS-PL-3005

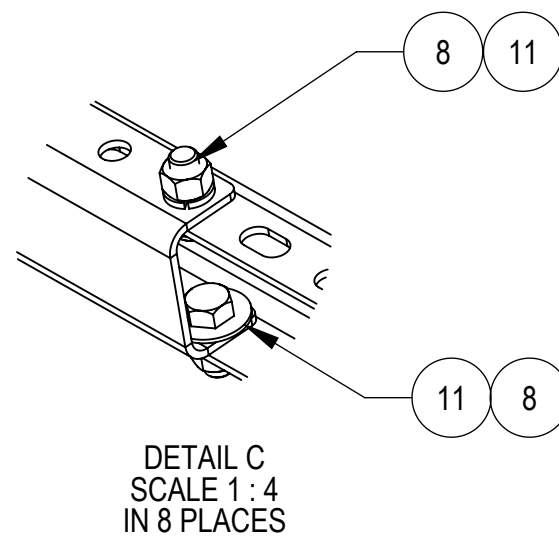
REVISIONS				
REV.	ECN	DESCRIPTION	BY	DATE
A	15185PC	NEW RELEASED.	XZ1054	10/18/2021



**UP TO +90° AZIMUTH
ADJUSTMENT OFF APEX**



ITEM NO.	PART NUMBER	DESCRIPTION	QTY.	WEIGHT	NOTE NO.
1	MTC397531	BACK BRACKET, SM-U2080LD	1	5.15 LBS	
2	MTC397532	FRONT BRACKET, SM-U2080LD	1	5.97 LBS	
3	MT37916	1/2" X 16" GALV THREADED ROD	2	0.88 LBS	
4	GB-04145	1/2" X 1-1/2" GALV BOLT KIT	2	0.13 LBS	
5	GWL-04	1/2" GALV LOCK WASHER	4	0.01 LBS	
6	GN-04	1/2" GALV HEX NUT	6	0.04 LBS	
7	GWF-04	1/2" GALV FLAT WASHER	18	0.04 LBS	
8	GB-05145	5/8" X 1-1/2" GALV BOLT KIT	16	0.25 LBS	
9	VSRC-2000	BRACKET, PIVOT	2	1.77 LBS	
10	MCPM-2100	ARM, 31.5" SUPPORT	4	10.72 LBS	
11	GWF-05	5/8" GALV FLAT WASHER, 1.7OD	16	0.04 LBS	
12	GB-05365	5/8" X 3-3/4" GALV BOLT KIT	1	1.0 LBS	
13	VSRC-1200	BRACKET, PIVOT ATTACHMENT WELD PART	1	0.173 LBS	
14	VSRC-1100	BRACKET, PIVOT ATTACHMENT	1	2.04 LBS	
15	ACP10	1.5" - 3.5" O.D. CLAMP HALF	4	0.6 LBS	
16	1204FTB	1/2" x 4" FULL THREAD GALV. BOLT	8	0.26 LBS	
17	VSRC-3000	CHANNEL MOUNT FOR VSRC	2	2.33 LBS	



DENSITY	0.28	lbs/in ³
MASS	101.66	lbs
VOLUME	358.68	in ³
SURFACE AREA		in ²
HEIGHT		
LENGTH		
WIDTH		

COMMSCOPE, INC. OF NORTH CAROLINA

TOLERANCES
 1 PLACE .x± 0.25 3 PLACE .xxx± 0.06
 2 PLACE .xx± 0.12 ANGLES ± 2°

SAP MATERIAL MASTER
VSRC-TS-B

FINISH: SEE NOTE 3.2 MATERIAL: SEE BOM

NAME	DATE	TITLE
CE XZ1054	10/18/2021	VERTICAL STABILIZER CHANNEL TW 2" TO 8"
RW XZ1054	11/30/2021	
AD BA1025	11/30/2021	
RE XZ1054	12/01/2021	

SCALE: **1:16** DOCUMENT NO.: **VSRC-TS-B**

SIZE	Auth Group	INSL	MODEL	DRAWING			SHEET		
C			VERSION	STATUS	REVISION	VERSION	STATUS	REVISION	1 OF 2
			00	RE	A	00	RE	A	

4

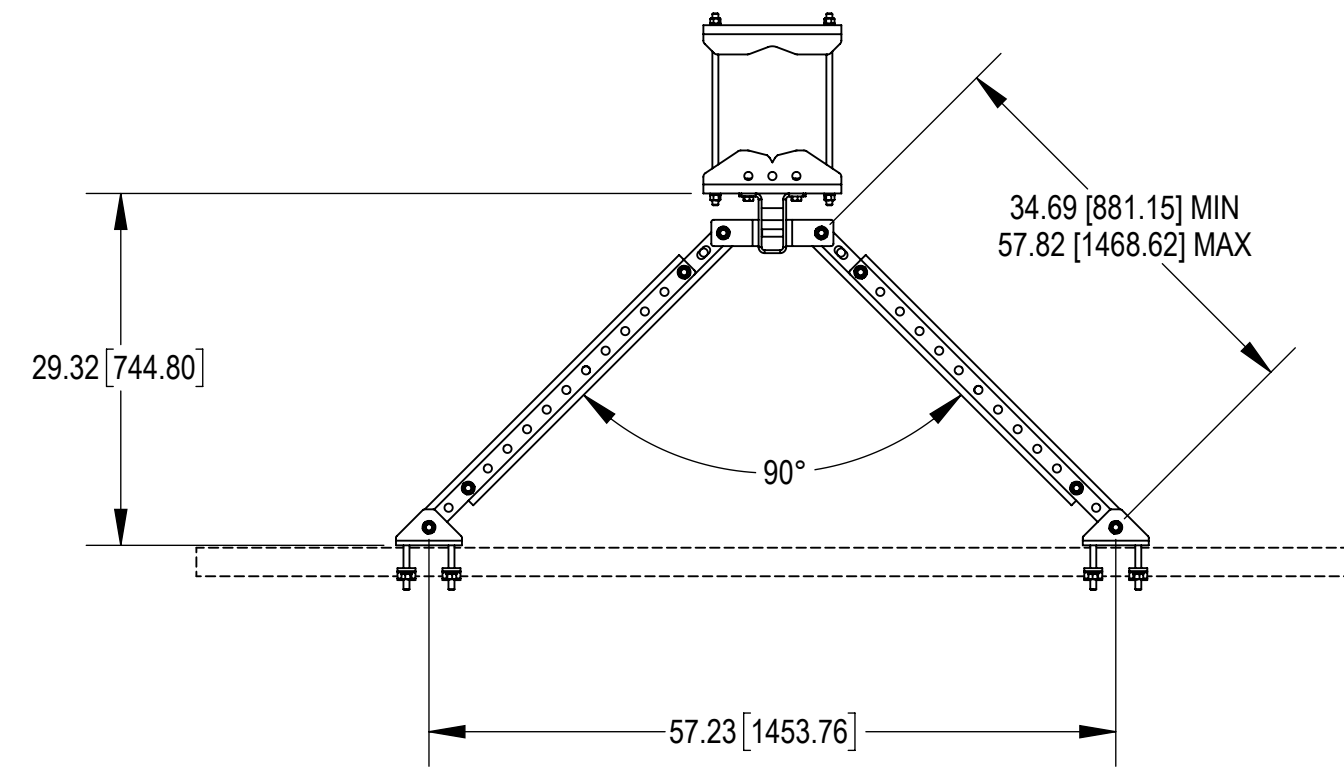
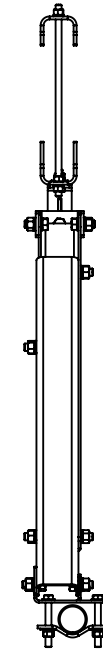
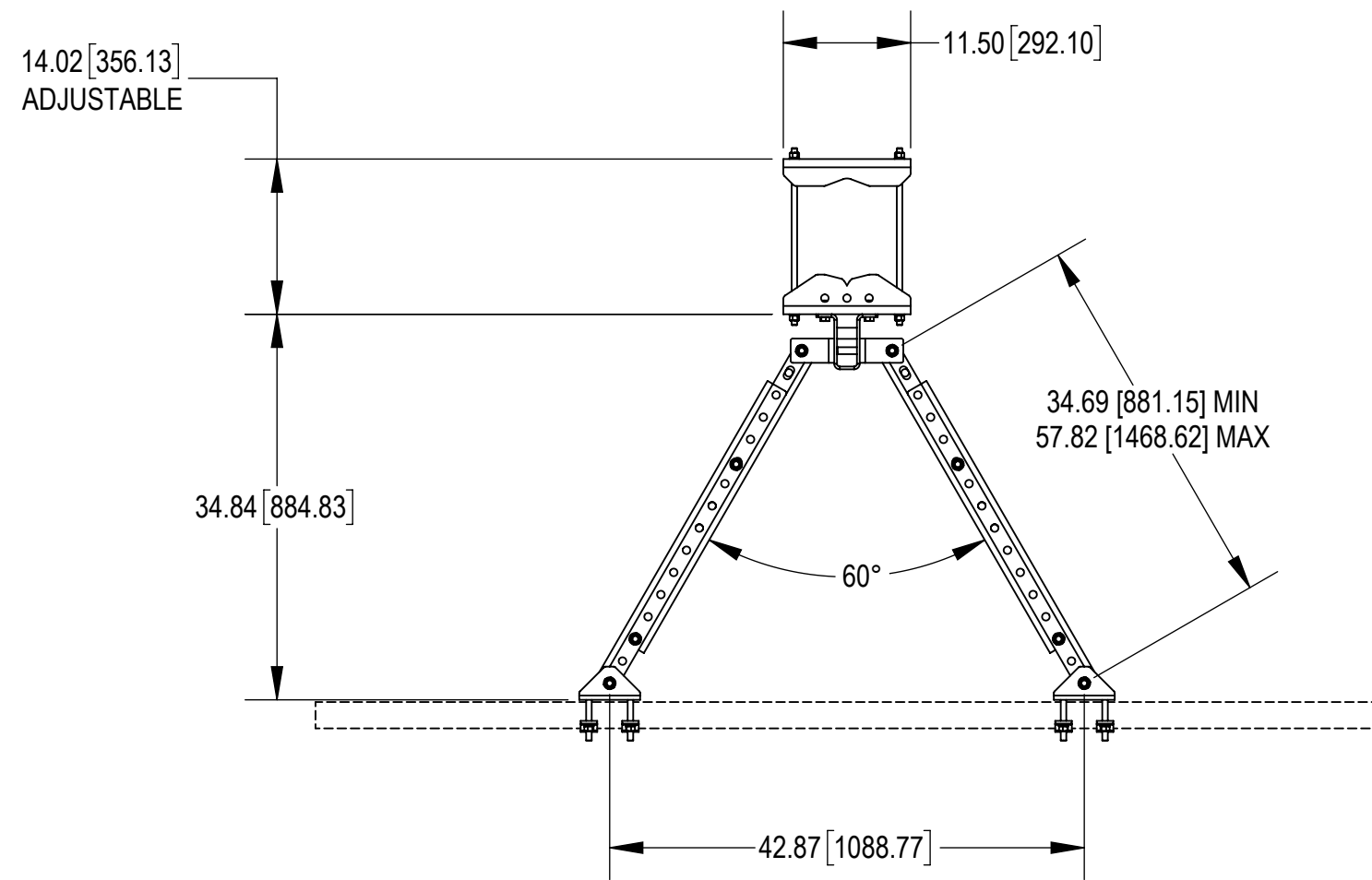
3

2

1

D

D

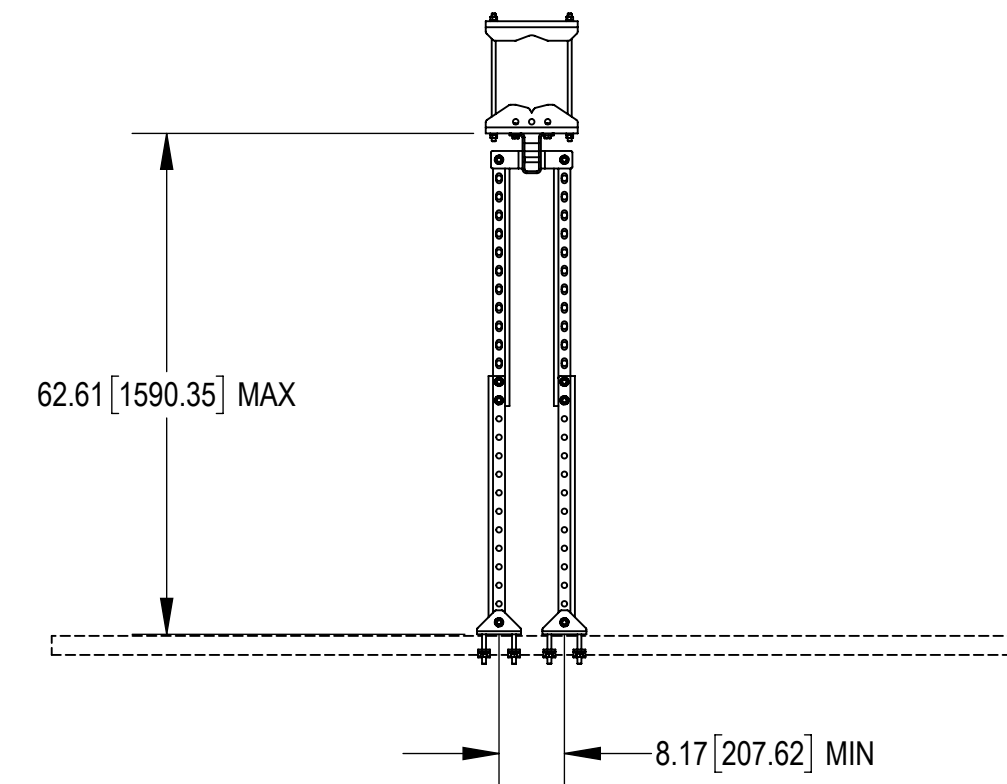
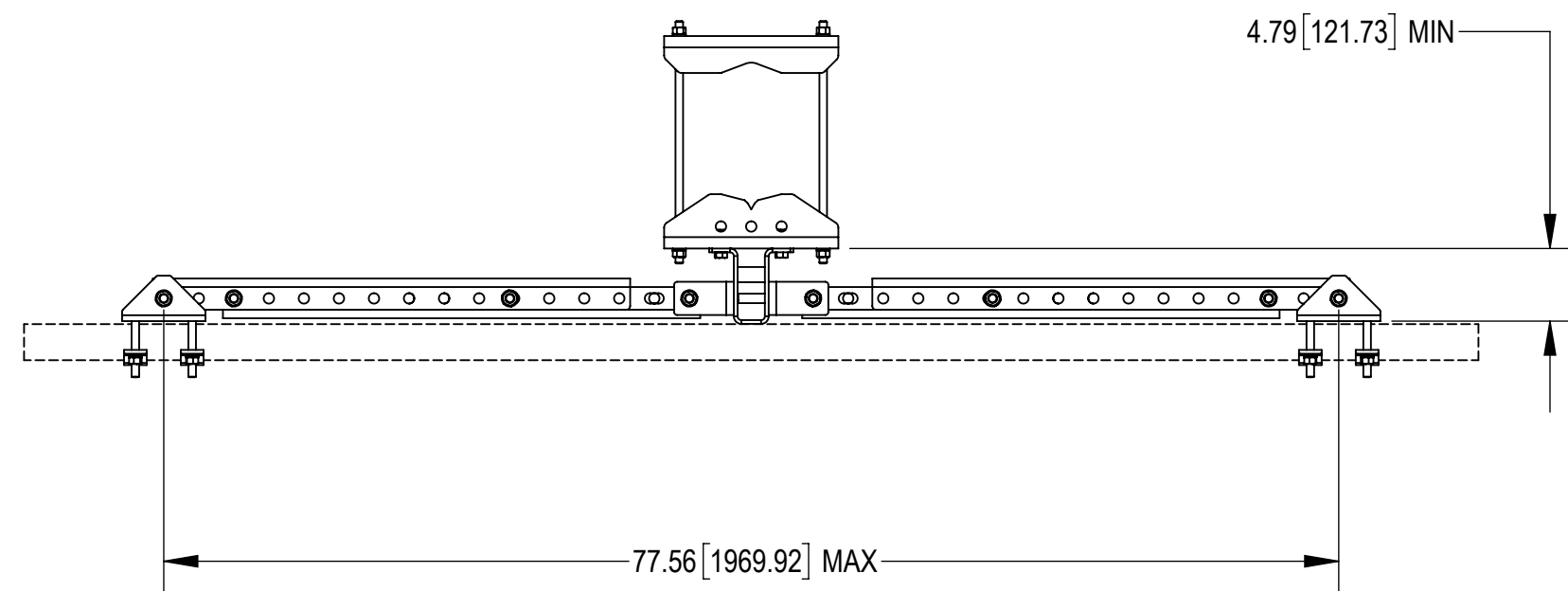


C

C

B

B



A

A

COMMSCOPE, INC. OF NORTH CAROLINA				
TITLE VERTICAL STABILIZER CHANNEL TW 2" TO 8				
SIZE C	SCALE 1:16	DOCUMENT NO. VSRC-TS-B		
		DRAWING		SHEET
		VERSION	STATUS	REVISION
		00	RE	A
				SHEET 2 OF 2

© 2021 CommScope, Inc. Confidential

4

3

2

1