

4

3

2

1

NOTES:

1.0 GENERAL

- 1.1 ALL METRIC DIMENSIONS ARE IN BRACKETS
- 1.2 FOR PATENTS, SEE WWW.CS-PAT.COM

2.0 DESIGN NOTES

- 2.1 TIGHTEN ALL BOLTS SECURING FLAT PLATES BY THE TURN-OF-NUT METHOD.
- TIGHTEN ALL U-BOLTS USING TURN-OF-NUT METHOD WITH ATTENTION TO LEAVE EQUAL DISTANCE AND EQUAL FORCE ON EACH LEG OF THE U-BOLT.

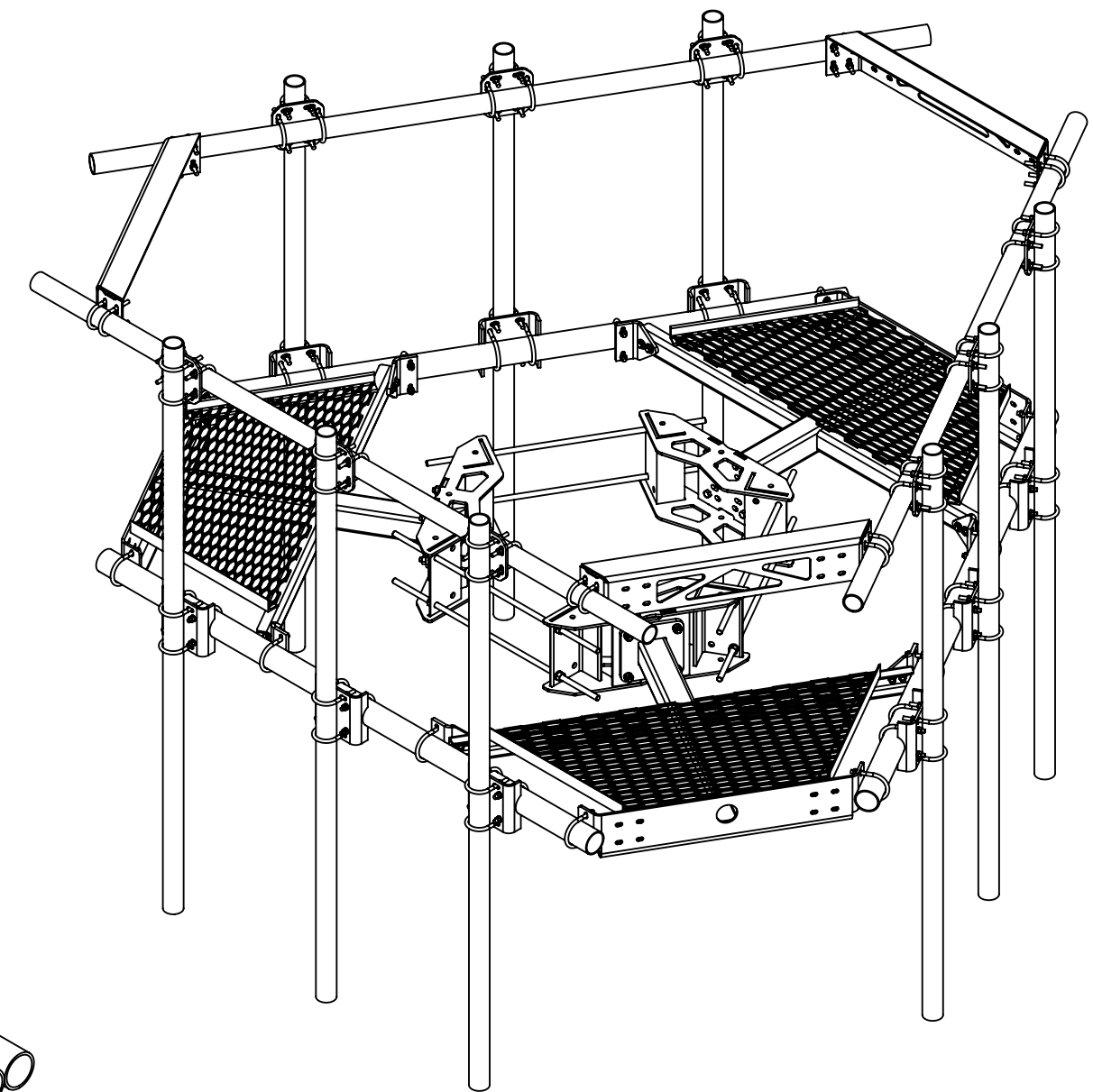
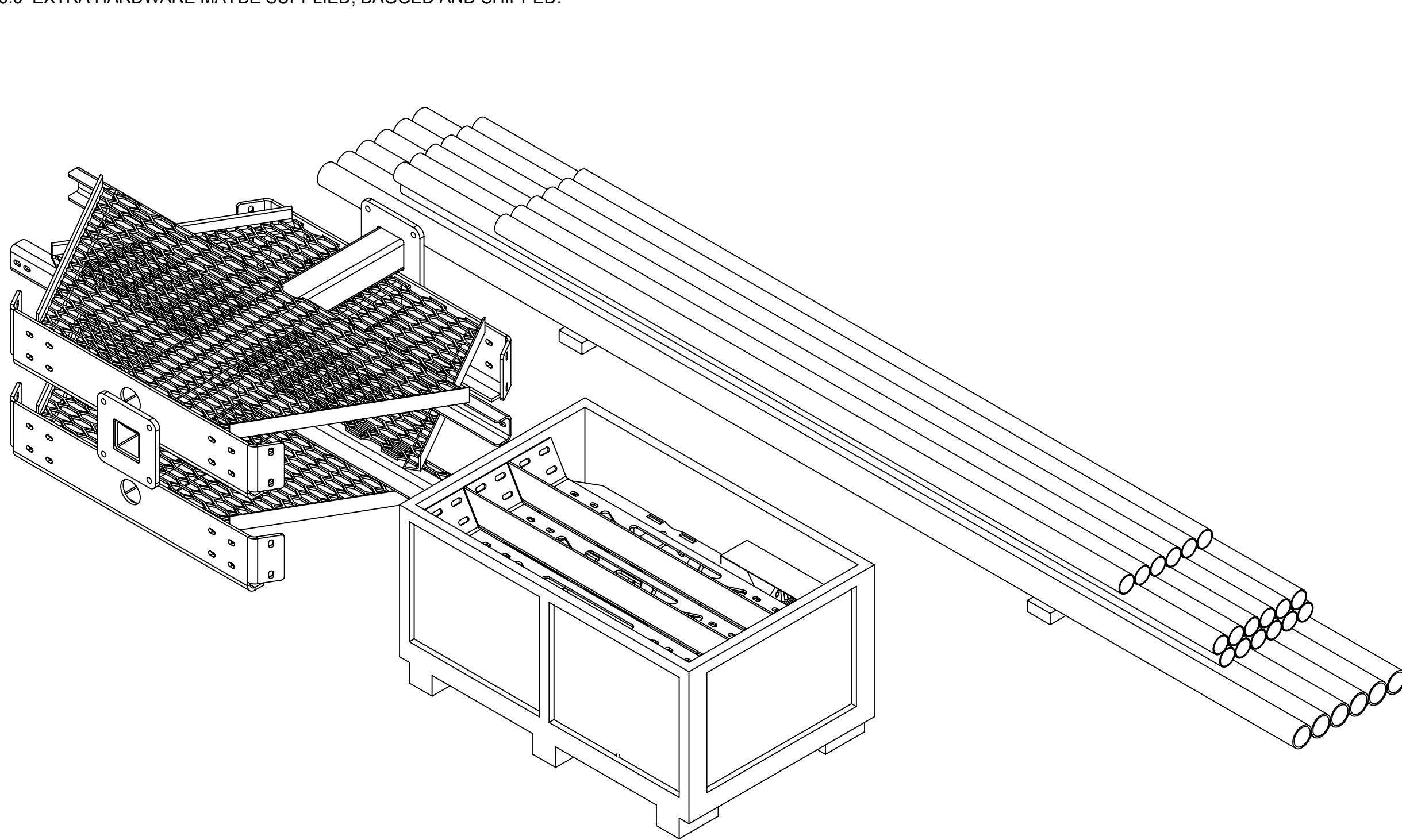
3.0 MANUFACTURING/SPECIAL REQUIREMENTS

4.0 TEST

5.0 PACKAGING

- 5.1 PACKAGING SHALL MEET COMMSCOPE REQUIREMENTS PER DOCUMENT IS-PL-3005.
- 5.2 PRINTED DOCUMENT TO BE PLACED INSIDE POLYBAG AND THEN IN SHIPPING CONTAINER.
- 5.3 EXTRA HARDWARE MAYBE SUPPLIED, BAGGED AND SHIPPED.

REVISIONS				
REV.	ECN	DESCRIPTION	BY	DATE
A	10272PC	INITIAL RELEASE	HDAI	03/08/2021
B	14762	SHEET 1: UPDATED NOTE 2.1 & ADDED NOTE 5.1 TO 5.2 SHEET2: REPOSITION ANTENNA PIPES; CHANGED HAND RAIL DISTANCE FROM PLATFORM: 42" WAS 40" IN ZONE B3; DIM Ø 12 WAS Ø 15 IN ZONE D3; UPDATED ITEM 4: GB-0522A WAS GB-0520A	JL1183	09/10/2021
c	40139639CMO	ADDED WEIGHT AND MASS INFORMATION	LL1090	12/07/2021



PATENT PENDING

COMMSCOPE, INC. OF NORTH CAROLINA										
TOLERANCES					SAP MATERIAL MASTER					
1 PLACE .X ± .25		3 PLACE .XXX ± 0.06			MC-PK8-DSH					
2 PLACE .XX ± 0.12		ANGLES ± 2°								
FINISH GALV A123					MATERIAL SEE SEPARATE BILLS OF MATERIAL					
UNLESS OTHERWISE SPECIFIED DIMENSIONS ARE IN INCHES INTERPRET PER ANSI Y 14.5M-1994	CE	MRC	02/17/20	LOW PROFILE PLATFORM FACE						
	RW	LL1090	12/07/2021							
	AD	VCORTEZ1	12/09/2021							
	RE	VCORTEZ1	12/09/2021							
	ECN 40139639CMO									
SCALE 1:32		DOCUMENT NO. MC-PK8-DSH								
SIZE	Auth Group	INSL	MODEL			DRAWING				SHEET 1 OF 3
C			VERSION	STATUS	REVISION	VERSION	STATUS	REVISION		
			03	RE	B	02	RE	C		

DENSITY		lbs/in ³
MASS	1801.56	lbs
VOLUME	6362.00	in ³
SURFACE AREA	55884.77	in ²
HEIGHT	96"	
LENGTH	46"	
WIDTH	29'	

4

3

2

1

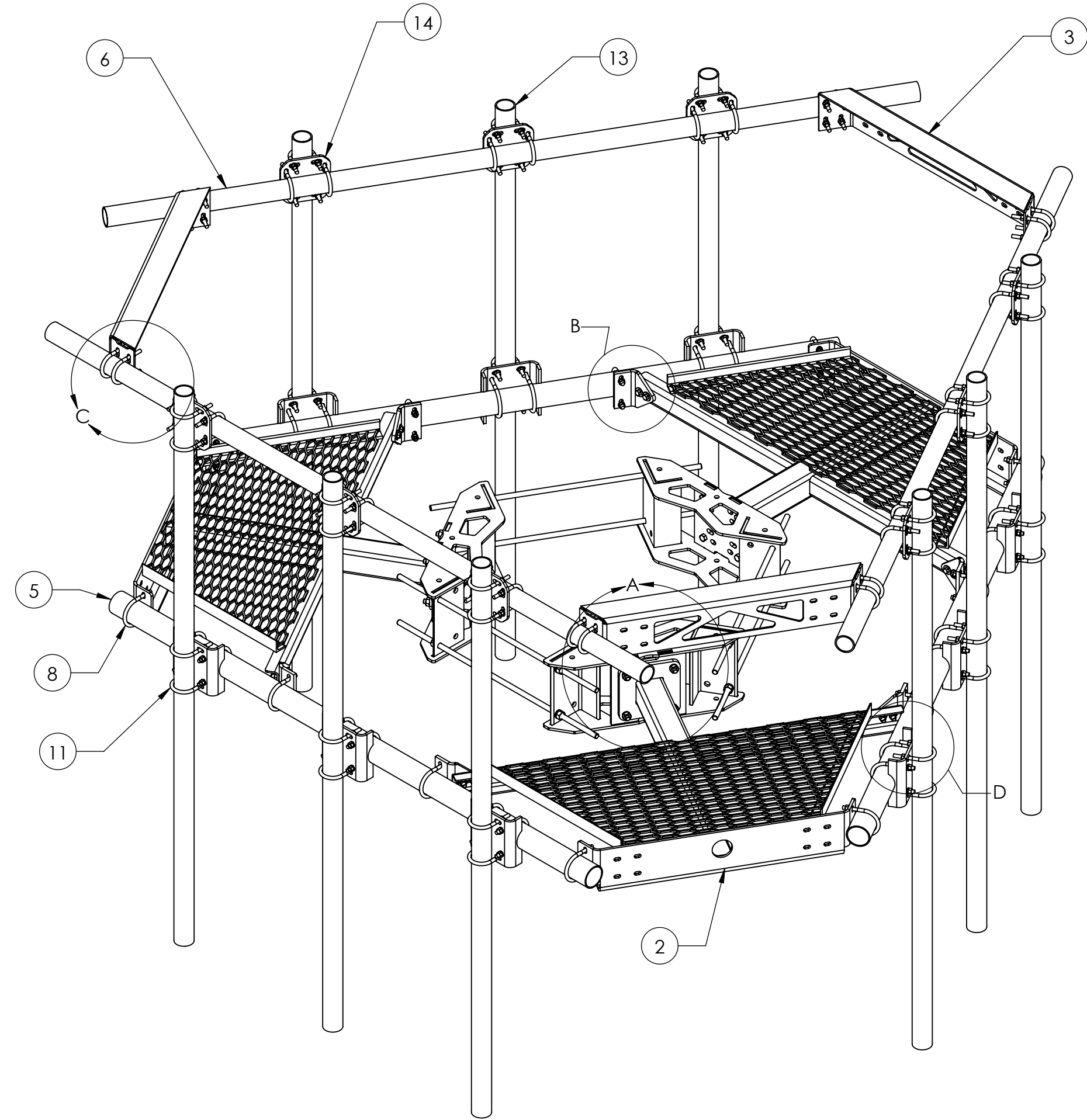
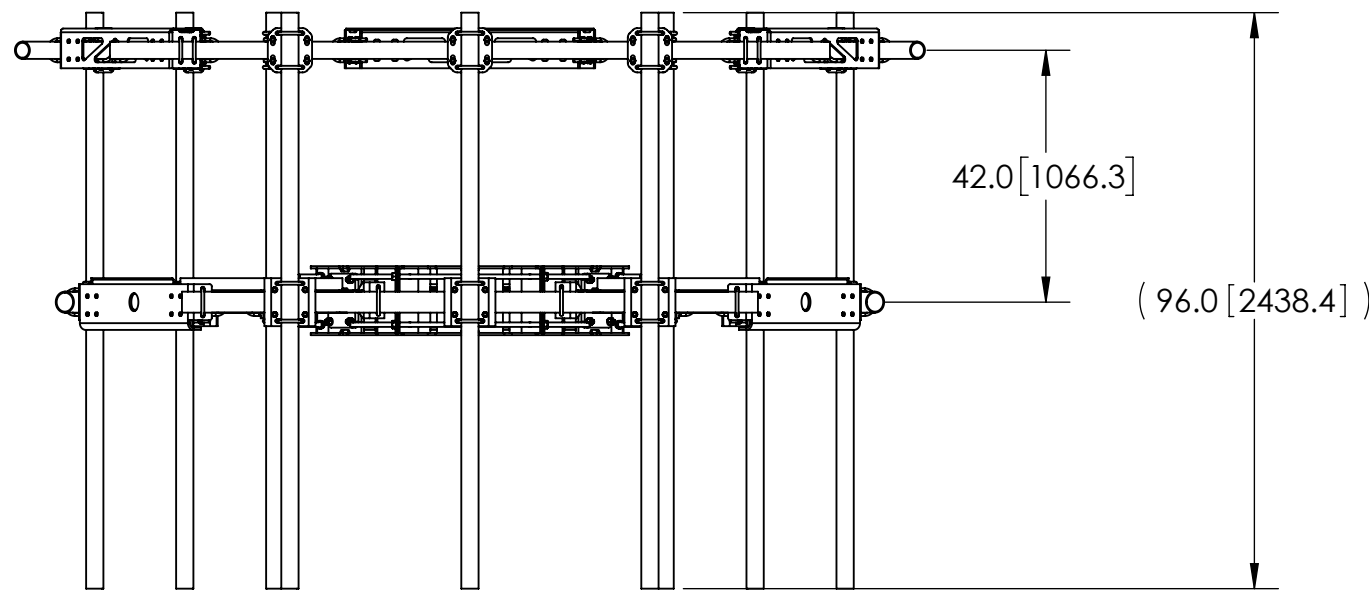
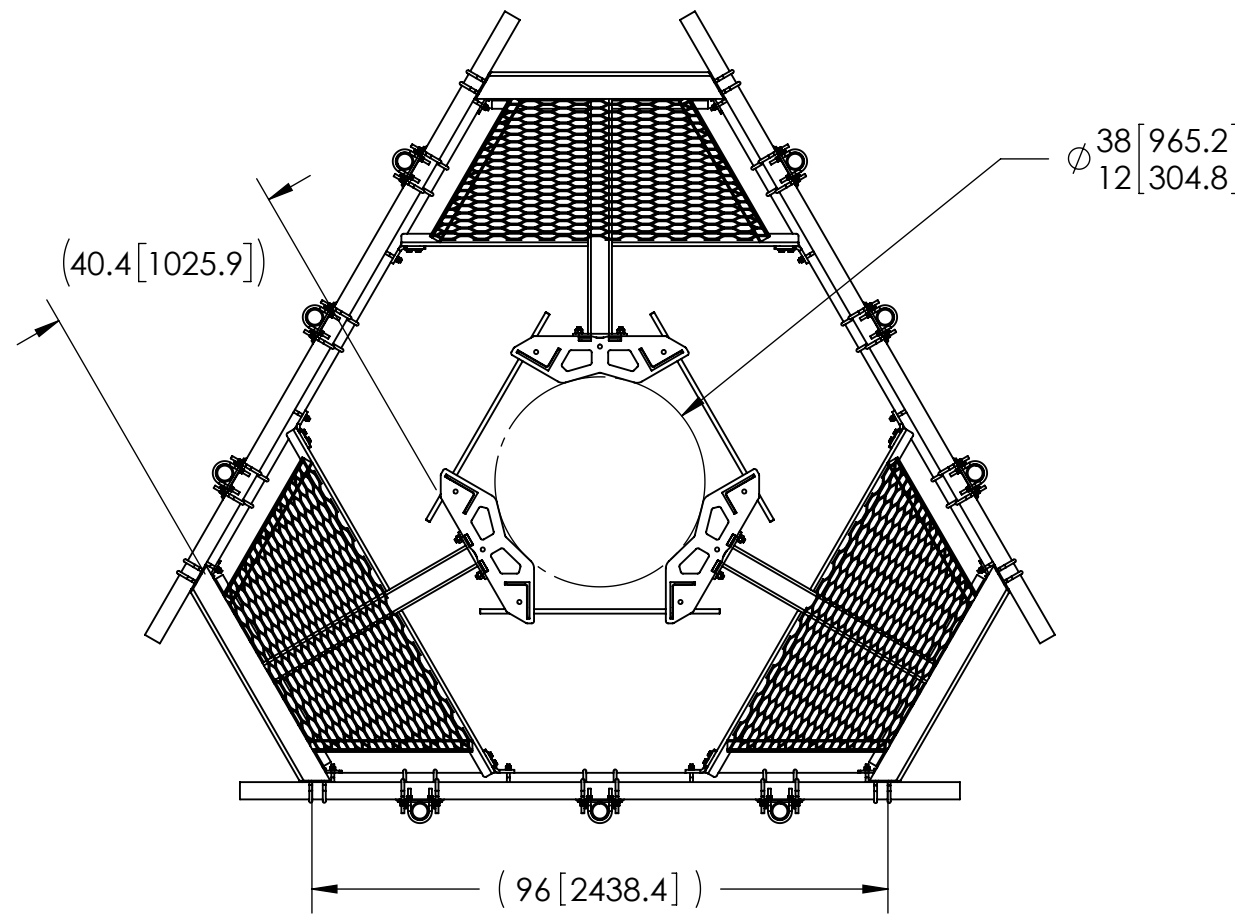
4

3

2

1

NOTES:



BOM IS FOR REFERENCE ONLY, PART NUMBER SUBSTITUTIONS MAY BE MADE

ITEM	PART NO.	DESCRIPTION	QTY.
1	MC-RM1550-3	12" - 50" OD RINGMOUNT	1
2	MTC300602	SECTOR WELDMENT FOR SNUB NOSE PLATFORM	3
3	MT195801	Corner Weldment Snub Nose Handrail	3
4	GB-0522A	5/8" X 2-1/4" GALV BOLT KIT (A325)	12
5	MT54796	3.50" OD X 96" GALV PIPE	3
6	MT546120	2.875" O.D. X 120" PIPE	3
7	GWF-04	1/2" GALV FLAT WASHER	12
8	GUB-4355	1/2" X 3-5/8" X 5" GALV U-BOLT	12
9	MTC300618	MOUNTING PLATE FOR MT-196	6
10	GB-04205	1/2" X 2" GALV BOLT KIT	12
11	MT-219M-H	3.5" OD X 2-7/8" OD CLAMP BRACKET ASSY	9
12	GUB-4352	1/2" X 3" X 5-1/4" GALV U-BOLT	12
13	MT54696	Ø 2.875" O.D. X 96" PIPE	9
14	XP-2525	CROSSOVER PLATE KIT, 2-7/8 OD X 2-7/8 OD	9

COMMSCOPE, INC. OF NORTH CAROLINA

TITLE
LOW PROFILE PLATFORM FACE

SIZE C SCALE 1:32 DOCUMENT NO. MC-PK8-DSH

DRAWING	SHEET		
	VERSION	STATUS	REVISION
02	RE	C	

© 2021 CommScope, Inc.

4

3

2

1

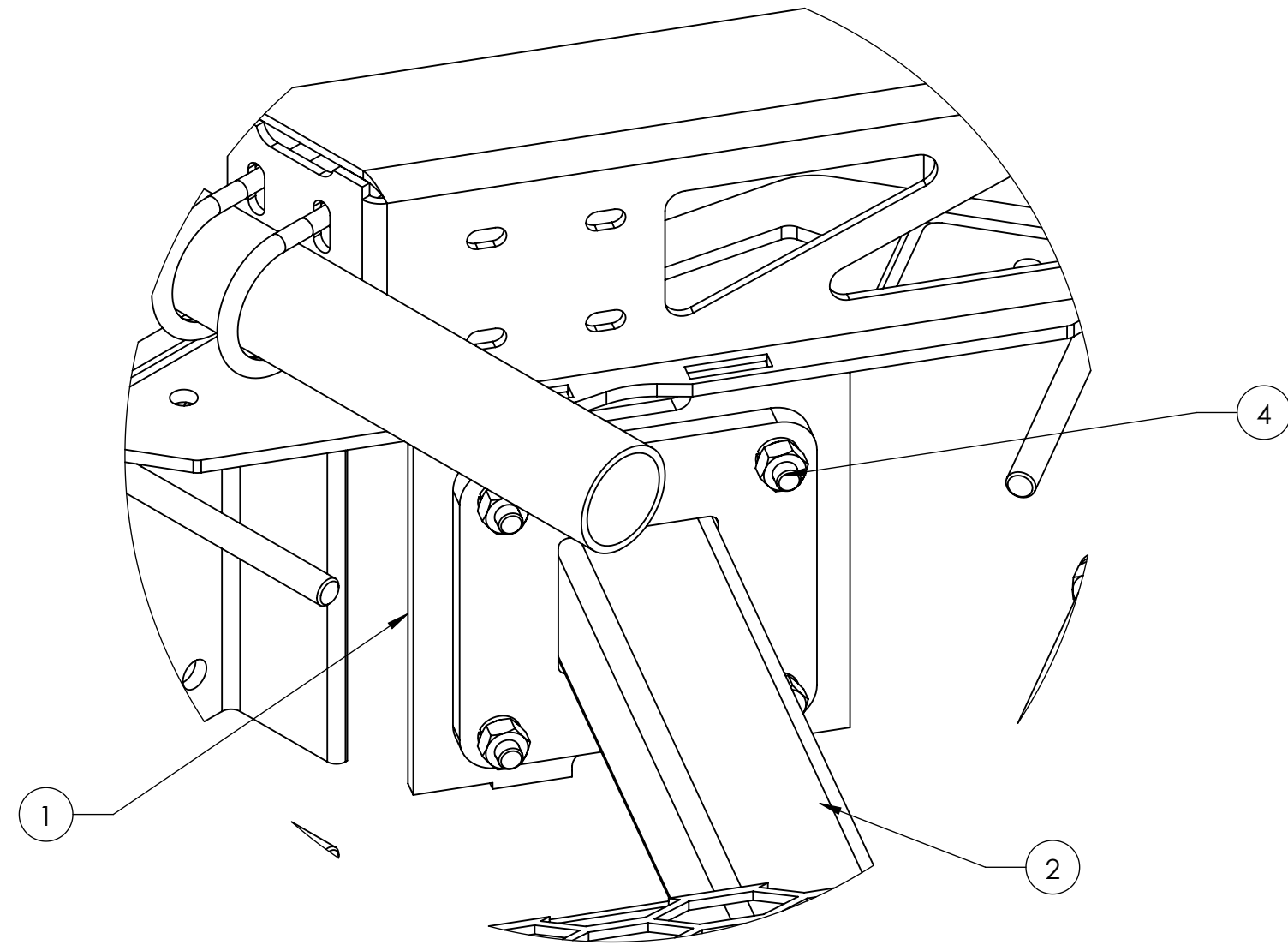
4

3

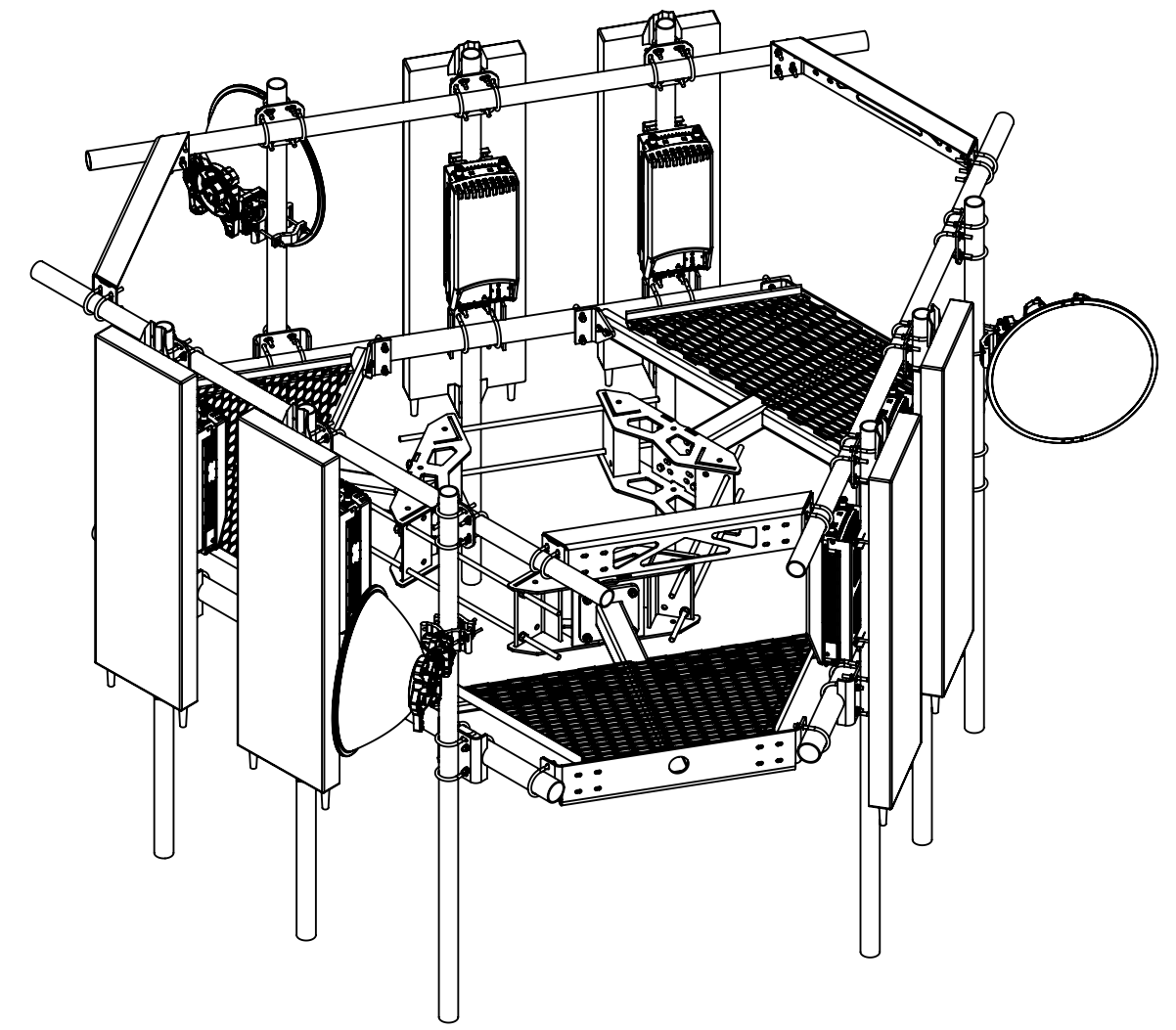
2

1

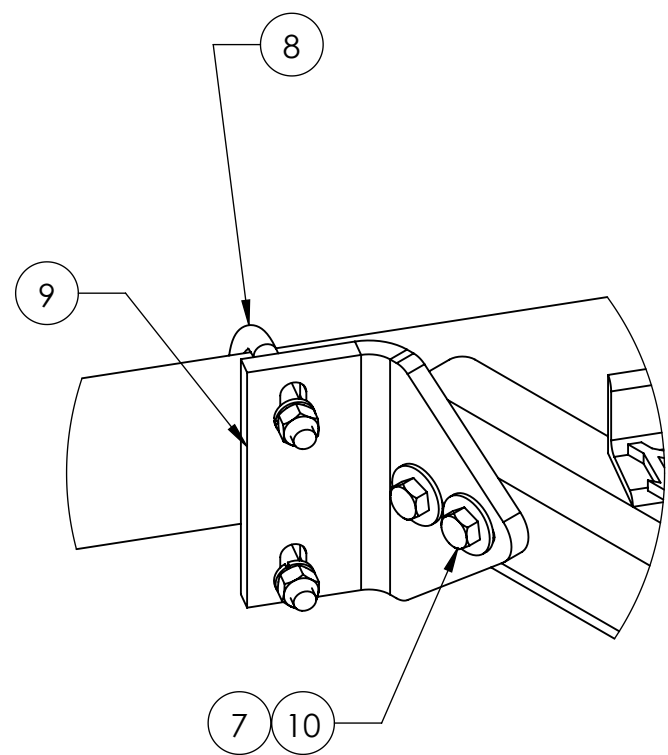
NOTES:



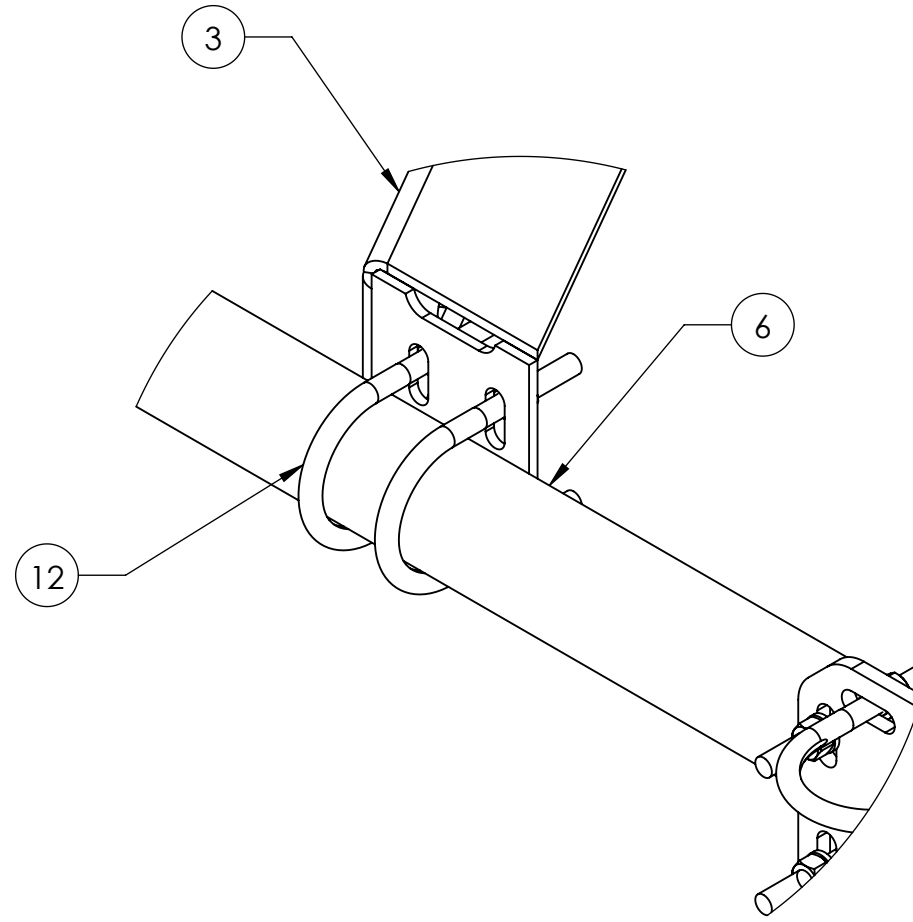
DETAIL A
SCALE 1 : 4



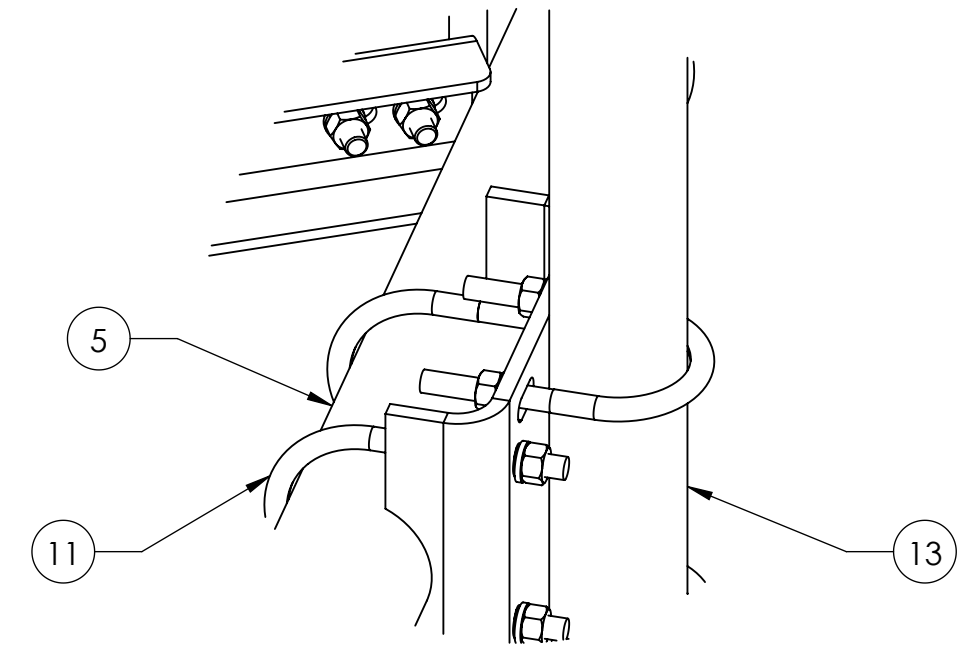
WITH ANTENNAS



DETAIL B
SCALE 1 : 4



DETAIL C
SCALE 1 : 4



DETAIL D
SCALE 1 : 4

COMMSCOPE, INC. OF NORTH CAROLINA

TITLE
LOW PROFILE PLATFORM FACE

SIZE C	SCALE 1:24	DOCUMENT NO. MC-PK8-DSH
------------------	----------------------	-----------------------------------

DRAWING			SHEET 3 OF 3
VERSION 02	STATUS RE	REVISION C	

© 2021 CommScope, Inc.

4

3

2

1

D

D

C

C

B

B

A

A