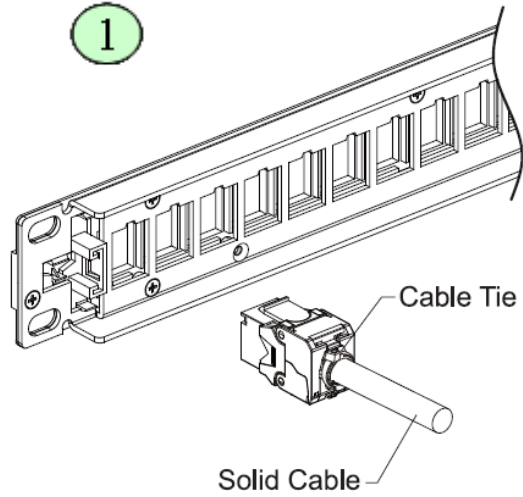
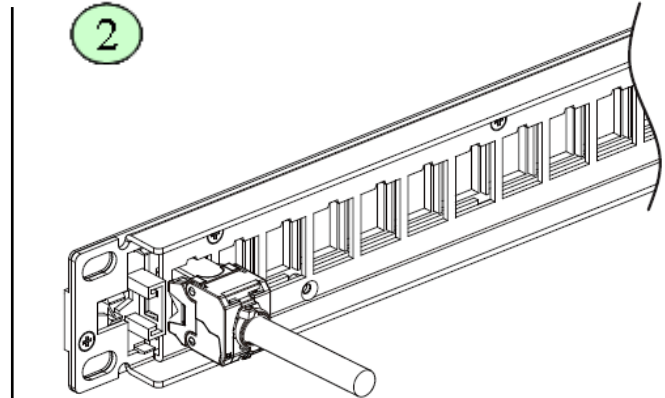


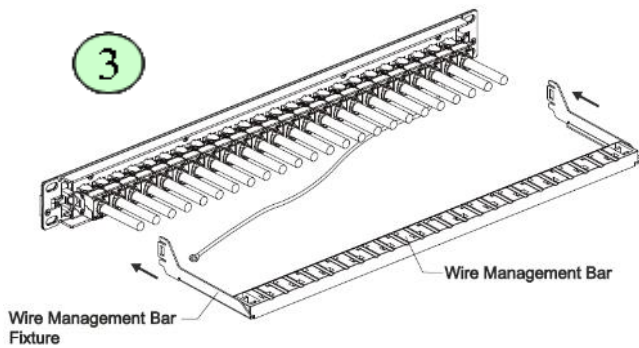
**ASSEMBLY INSTRUCTION**



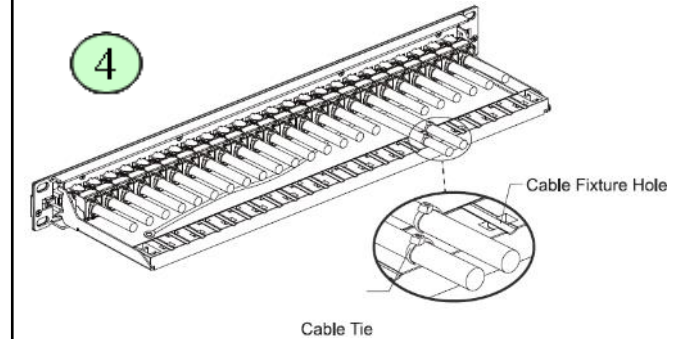
➤ Terminate cable on each RJ45 jack.



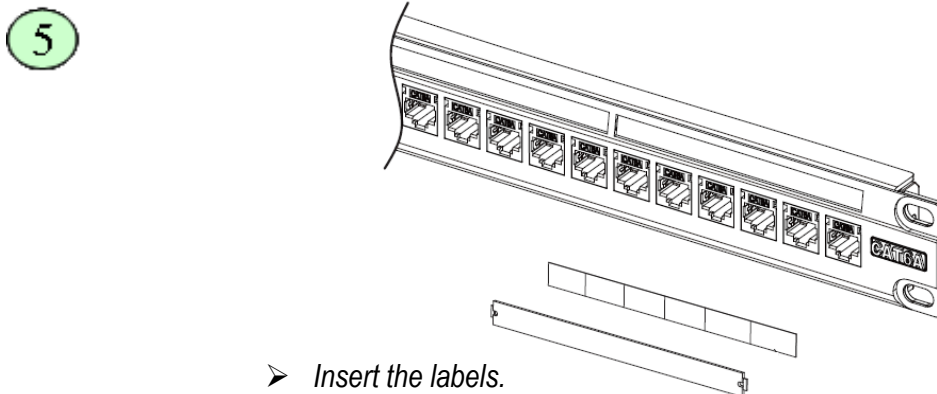
➤ Locate the RJ45 jacks into the panel.



➤ First assemble the cable management bar.  
➤ Insert the cable management bar into panel.



➤ Fix the cables to the cable management bar with cable ties.  
➤ Connect the grounding wire to the rack.



➤ Insert the labels.