



PFDC 450 D6 Fiber Optic Splice Closure, Gel Cable sealing, no pre-installed tray, 6 cable attach, three ground feedthrough lugs, with test valve, FID for Power Termination and Network Power Distribution

- Single-ended, O-ring sealed dome closure for splicing feeder and distribution cables
- Gel cable sealing technology allows easy adding or removing of a wide size range of cables
- Compatible with most common cable types: e.g. loose tube, central core, ribbon fiber
- PFDC splice trays hinged for access to any splice without disturbing other trays
- Closure can be used in aerial, pedestal and underground (up to 5 meters) environments
- Can hold CWDM modules and optical splitter trays
- Fault Isolation Device (FID) for power termination and Fault Managed Power safety

Product Classification

Regional Availability	Latin America North America
Product Type	Fiber and power distribution closure
Product Brand	PowerShift Metro®

General Specifications

Cable Entry Drop Port Style	Round
Cable Entry Main Port Style	Round
Cable Ports Quantity, total	6 round ports
Cable Sealing Type	Compressed gel
Closure Sealing Type	Dome-to-base clamp with O-ring
Closure Style	Single-ended
Color	Black
Flash Test Valve	Pre-installed
Ground Feed-through	Included
Mounting	Pole Strand Wall
Splice Tray Included, quantity	0
Splice Tray Type Included	No trays
Splicing Capacity, Mass Fusion, maximum	3456
Splicing Capacity, maximum	3456

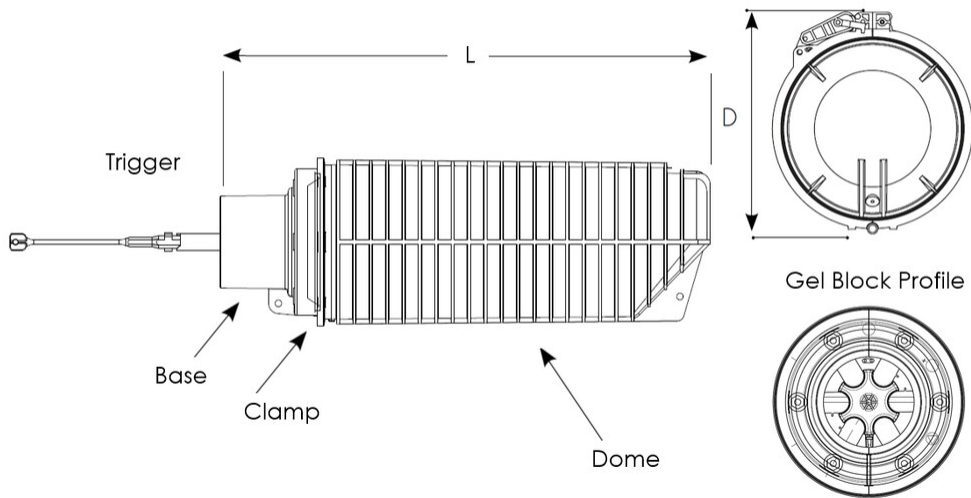
760248797 | PFDC450-D6-6-R4-2-N3V-PWR

Splicing Capacity, Single Fusion, maximum	768
Splicing Capacity, Single Splice, 12 fibers, maximum	288
Splicing Capacity, Single Splice, 6 fibers, maximum	288
Splicing Type, Supported	Mass fusion Single fusion

Dimensions

Length	753 mm 29.646 in
Diameter	254 mm 10 in
Diameter, with clamp	292 mm 11.496 in
Main Cable Diameter, maximum	25 mm 0.984 in

Dimension Drawing



Electrical Specifications

Input Current, maximum	25
Input Voltage Range	± 190 Vdc (± 125 Vdc to ± 200 Vdc)
Output Current, maximum	25
Output Voltage Range	± 190 Vdc (± 125 Vdc to ± 200 Vdc)
Communications Speed	600 ms, based on energy reserve for $V_{in} = \pm 190$ V
Efficiency at Voltage	> 99.5% @ ± 190 V and 25 A total current
Operating Voltage Range	± 75 Vdc to ± 200 Vdc
Voltage	± 190 Vdc (380 Vdc with middle point)

760248797 | PFDC450-D6-6-R4-2-N3V-PWR

Voltage, startup ± 25 Vdc to ±30 Vdc

Material Specifications

Material Type Impact-resistant polymer

Environmental Specifications

Environmental Space Below ground | Buried

Qualification Standards GR-3108 class 4 | IEC 61300, 5 m waterhead | Telcordia GR-1089

Safety Standard ATIS-060040 | UL 62368

Water Resistance Flash test valve at 5 psi (40 kPa)

Packaging and Weights

Packaging quantity 1

Packaging Type Box | Carton

Weight, net 9.07 kg | 19.996 lb

Regulatory Compliance/Certifications

Agency	Classification
ISO 9001:2015	Designed, manufactured and/or distributed under this quality management system