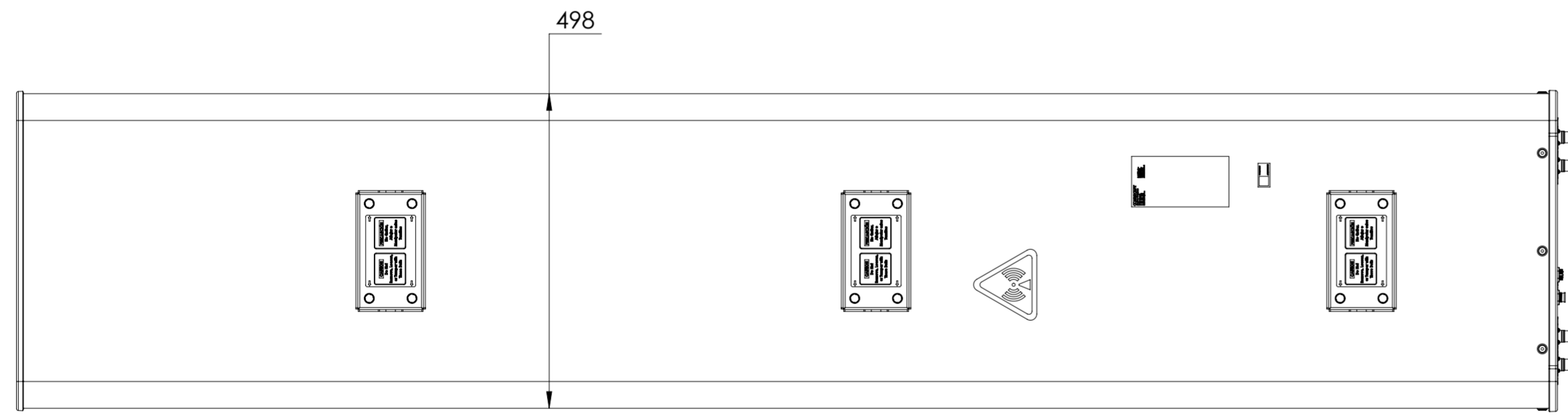
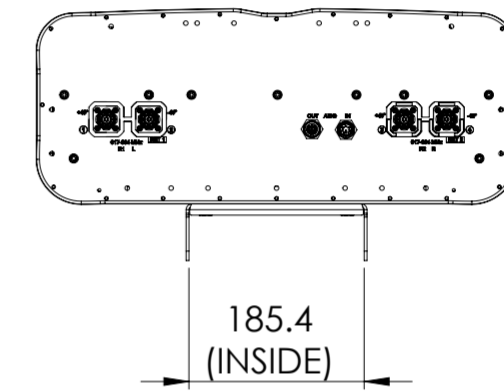
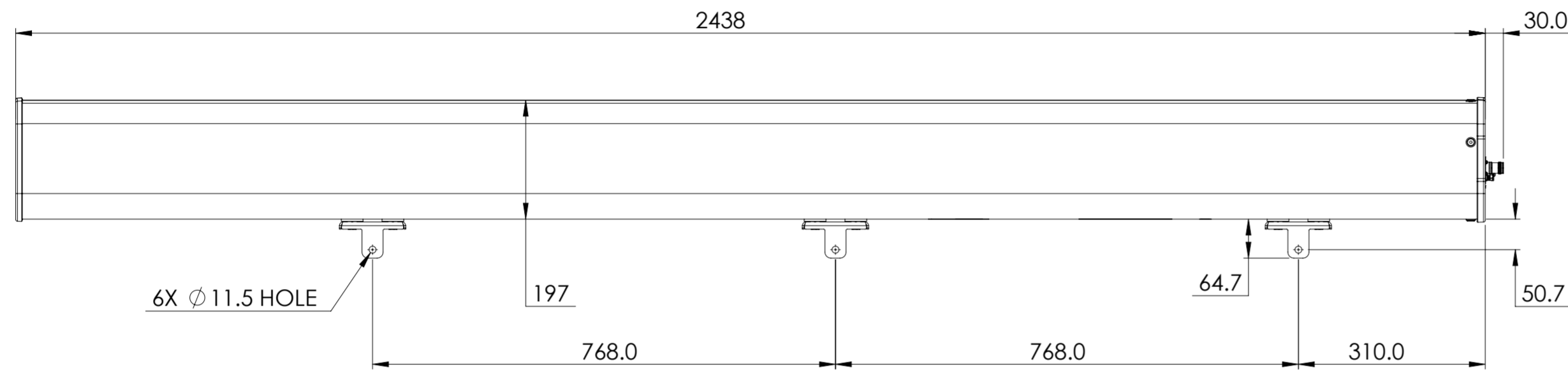


NOTES:

REVISIONS			
REV.	DESCRIPTION	DATE	APPROVED
A	ECR 8000040885: REL TO PRODUCTION PER EAO 606775.	17JUN20 ZW	CHF/YWQ



FF-65C-R2

COMMSCOPE, INC. OF NORTH CAROLINA

TOLERANCES		SAP MATERIAL MASTER	
0 PLACE X ±	2 PLACE .XX ±		
1 PLACE .X ±	ANGLES ±		
FINISH		MATERIAL	
<small>UNLESS OTHERWISE SPECIFIED DIMENSIONS ARE IN MILLIMETERS INTERPRET PER ISO STANDARDS HANDBOOK TECHNICAL DRAWINGS VOLUMES 1 & 2, THIRD EDITION (2002)</small>		NAME	DATE
		CE WZ1012	06/17/2020
		RW WZ1012	06/22/2020
		RV HC1060	07/16/2020
		AD WY8000	07/16/2020
RE ZHHCHEN	07/19/2020	TITLE	
ECN 8000040885-O	SCALE		DOCUMENT NO.
		1:8	FF-65C-R2-L
SIZE	WORK AREA	23	MODEL
A2			VERSION
		00	STATUS
		RE	REVISION
		A	VERSION
		00	STATUS
		RE	REVISION
		A	DRAWING
		00	VERSION
		RE	STATUS
		A	REVISION
		SHEET	
		1 OF 1	

DENSITY	g/mm ³
MASS	grams
VOLUME	mm ³
SURFACE AREA	mm ²
HEIGHT	
LENGTH	
WIDTH	