

HMT-B2M2B1500FN000



NOVUX™ Hardened Multi-fiber Terminal, 2 HMFOC ports, 2 fibers per port, Flat toneable loose tube cable with HMFOC plug (female/no pin), 1500 ft/457 m

- NOVUX™ Hardened Multi-fiber Terminals incorporate hardened connector technology that is designed to withstand the rugged outside plant environment
- Hardened connectors are factory-integrated and environmentally sealed for use in optical drop cable deployments
- Plug and play adapter ports ensure rapid cable installment in the outside plant access section of the network
- NOVUX™ HMT terminals are well suited for fiber-rich applications and available with 12 or 24 Fibers; no internal splitter option
- Available with flat dielectric up to 24 fiber or flat toneable/locatable up to 12 fiber. Terminals can be used as a distribution point within a network or as a final multifiber drop terminal where more than a single fiber is required to service an SFU or cellular tower
- NOVUX™ smaller terminal size for aesthetics and allowing installation in constrained spaces
- NOVUX™ terminals are available in Black (RAL# 9005) or Gray (RAL# 7035)
- CommScope Product ID plate with QR code link to product documents and C-Track

Product Classification

| | |
|-------------------------------|---|
| Regional Availability | Asia EMEA Latin America North America |
| Product Type | Access terminal, without splitter/tap |
| Product Brand | NOVUX™ |
| Product Series | HMT |
| Minimum Order Quantity | 1 |

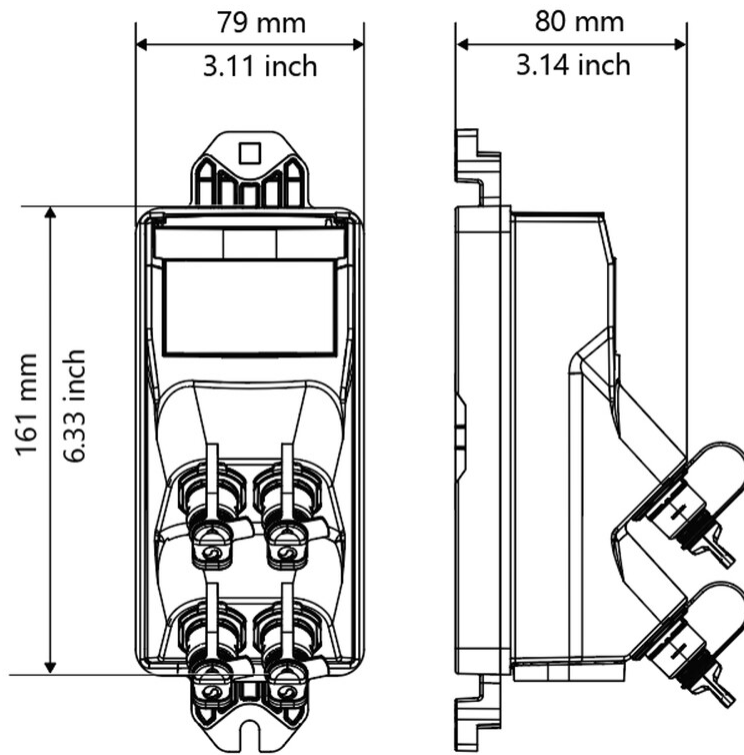
General Specifications

| | |
|-----------------------------------|--|
| Cable Type | Toneable - Flat - Loose Tube |
| Cable, quantity | 1 |
| Distribution Type | 2 ports, 2 fibers per port |
| Drop Port Type | Hardened multi-fiber (HMFOC) jack, male/pinned |
| Enclosure Color | Black (RAL 9005) |
| Multi-fiber Port Type | Hardened multi-fiber (HMFOC) jack, male/pinned |
| Multi-fiber Port, quantity | 2 |
| Mounting | Handhole Pedestal Pole Strand |
| Port Type | Hardened multi-fiber (HMFOC) jack, male/pinned |

HMT-B2M2B1500FN000

| | |
|---------------------------|--|
| Port, quantity | 2 |
| Stub Type | Hardened multi-fiber (HMFOC) plug, female/no pin |
| Dimensions | |
| Height | 80 mm 3.15 in |
| Width | 79 mm 3.11 in |
| Length | 161 mm 6.339 in |
| Cable Length, stub | 1500 ft (457 m) |

Dimension Drawing



Port Configuration

| NOVUX HT | TECHNOLOGIES AVAILABLE | SMALL | MEDIUM | LARGE |
|------------|------------------------|---------------------------------|--------------------------|-------------------|
| | | Up to 24f | Up to 24f | Up to 24f |
| HMT Series | Multi-fiber | 2 ports, each 2, 4, 6, 8 or 12f | 6 ports, each 2, 3 or 4f | 12 ports, each 2f |
| | | 3 ports, each 2, 4, 6, or 8f | 8 ports 2 or 3f | |
| | | 4 ports, each 2, 4, or 6f | | |

Ordering Tree

HMT-B2M2B1500FN000

first

Regulatory Compliance/Certifications

| Agency | Classification |
|---------------|--|
| CHINA-ROHS | Below maximum concentration value |
| ISO 9001:2015 | Designed, manufactured and/or distributed under this quality management system |
| REACH-SVHC | Compliant as per SVHC revision on www.commscope.com/ProductCompliance |
| ROHS | Compliant |
| UK-ROHS | Compliant |

