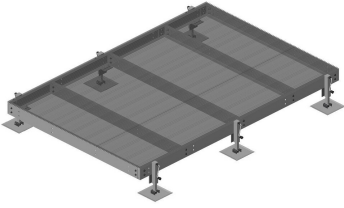


# EQ-P1015-AL

---



Equipment Platform, 10 ft x 15 ft base with six adjustable legs

## Product Classification

**Product Type** Equipment platform system

## General Specifications

**Legs, quantity** 6

## Dimensions

**Height** 685.8 mm | 27 in

**Width** 3048 mm | 120 in

**Length** 4572 mm | 180 in

## Material Specifications

**Material Type** Hot dip galvanized steel

## Mechanical Specifications

**Load Capacity** Up to 10,000 lb (4536 kg) loading

## Packaging and Weights

**Included** Frame | Grating | Hardware | Legs

**Packaging quantity** 1

**Weight, net** 1,124.9 kg | 2,479.977 lb

## Regulatory Compliance/Certifications

### Agency

ISO 9001:2015

### Classification

Designed, manufactured and/or distributed under this quality management system



# EQ-P1015-AL

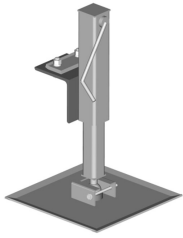
---

## Included Products

- EQ-P-AL - Equipment Platform Adjustable Leg
- EQ-P1015-B - Equipment Platform, 10 ft x 15 ft, base only

# EQ-P-AL

---



## Equipment Platform Adjustable Leg

### Product Classification

**Product Type**            Equipment platform system

### Dimensions

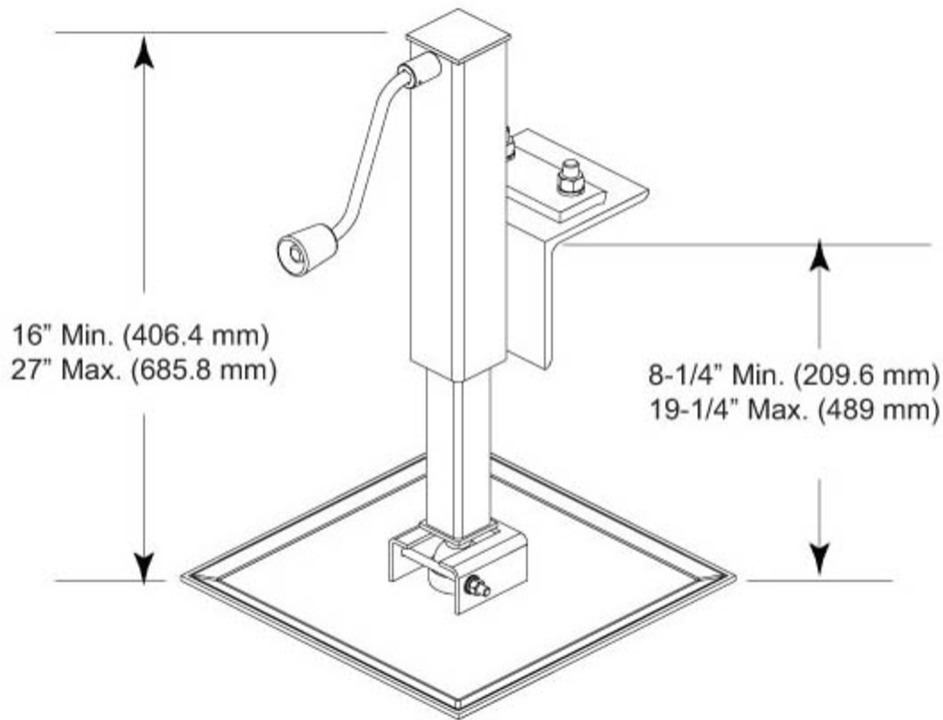
**Height**                    685.8 mm | 27 in

**Width**                    406.4 mm | 16 in

**Length**                   406.4 mm | 16 in

# EQ-P-AL

## Outline Drawing



## Material Specifications

**Material Type** Hot dip galvanized steel

## Packaging and Weights

**Included** Legs

**Packaging quantity** 1

**Weight, net** 20.4 kg | 44.974 lb

## Regulatory Compliance/Certifications

### Agency

ISO 9001:2015

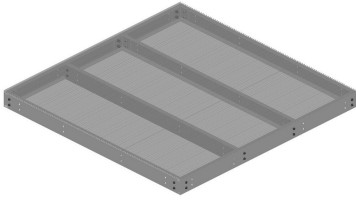
### Classification

Designed, manufactured and/or distributed under this quality management system



# EQ-P1015-B

---



Equipment Platform, 10 ft x 15 ft, base only

## Product Classification

**Product Type** Equipment platform system

## General Specifications

**Legs, quantity** 0

## Dimensions

**Height** 203.2 mm | 8 in

**Width** 3048 mm | 120 in

**Length** 4572 mm | 180 in

## Material Specifications

**Material Type** Hot dip galvanized steel

## Mechanical Specifications

**Load Capacity** Up to 10,000 lb (4536 kg) loading

## Packaging and Weights

**Included** Frame | Grating | Hardware

**Packaging quantity** 1

**Weight, net** 1,002.5 kg | 2,210.132 lb

## Regulatory Compliance/Certifications

### Agency

ISO 9001:2015

### Classification

Designed, manufactured and/or distributed under this quality management system

