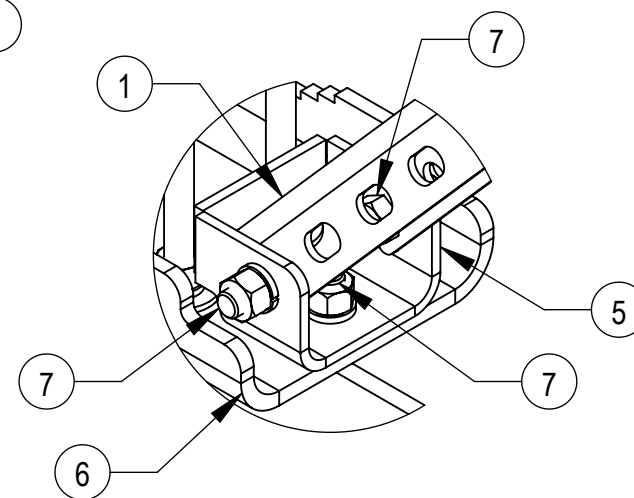
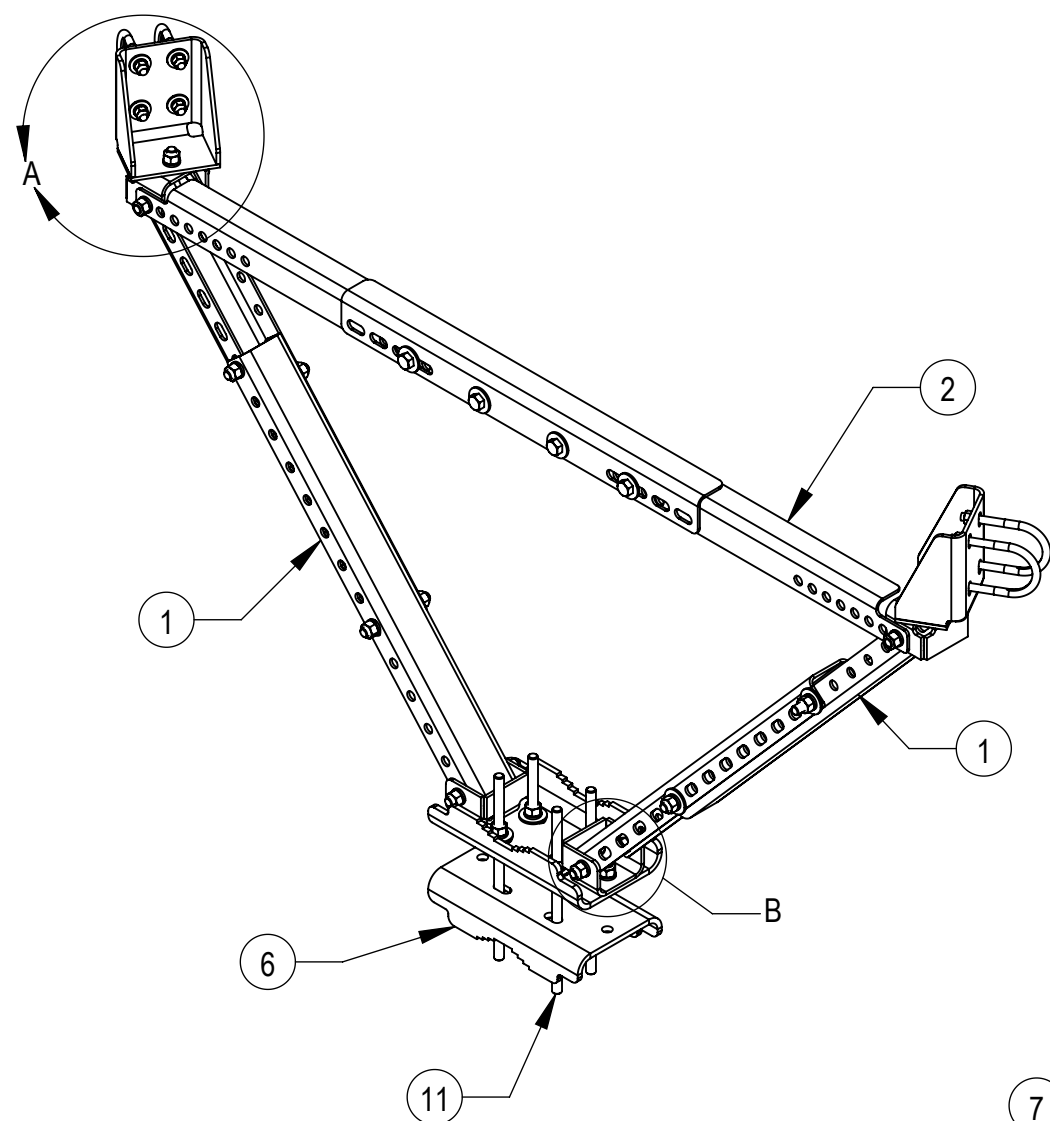
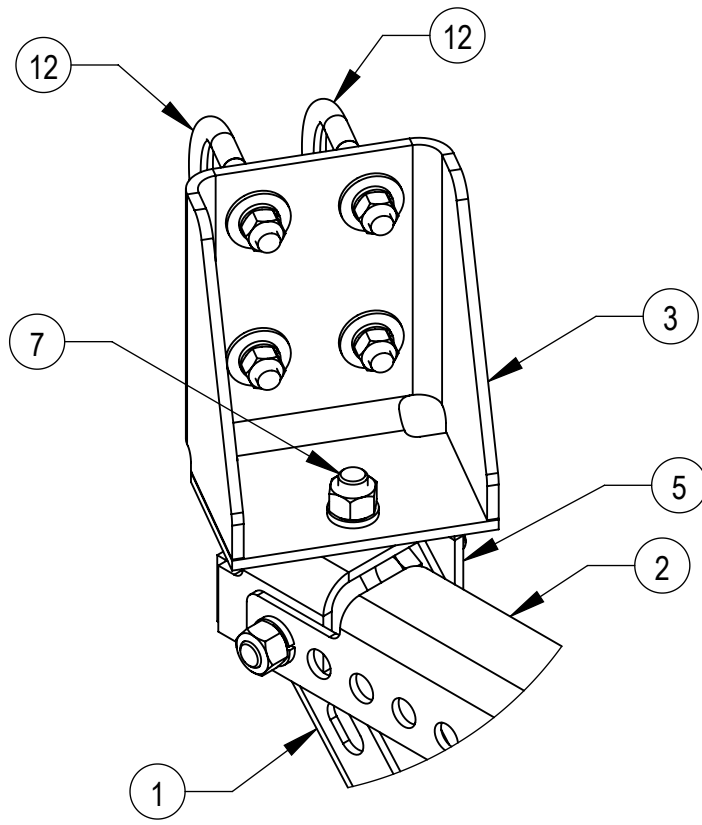


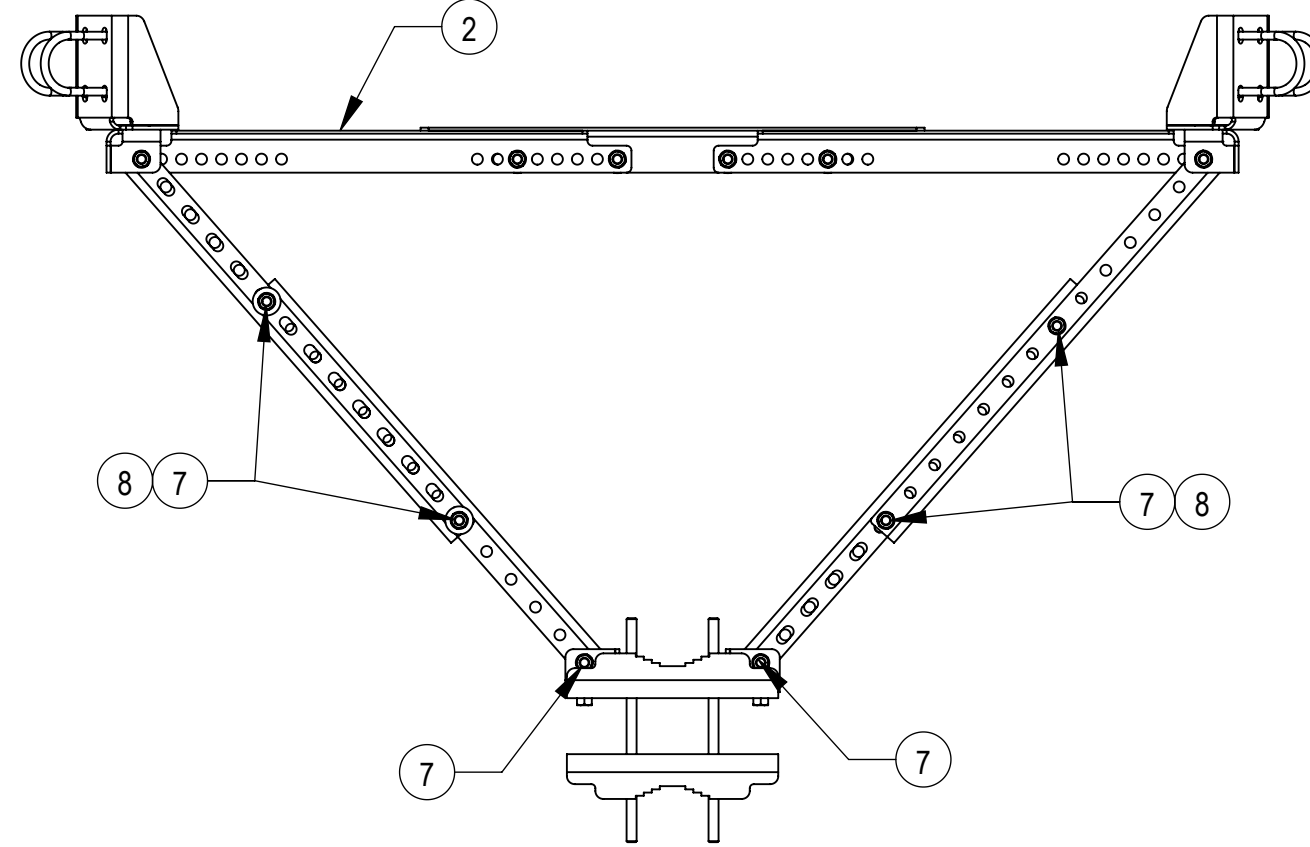
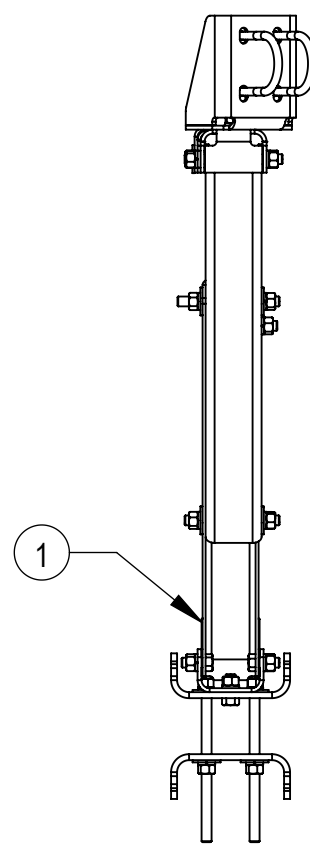
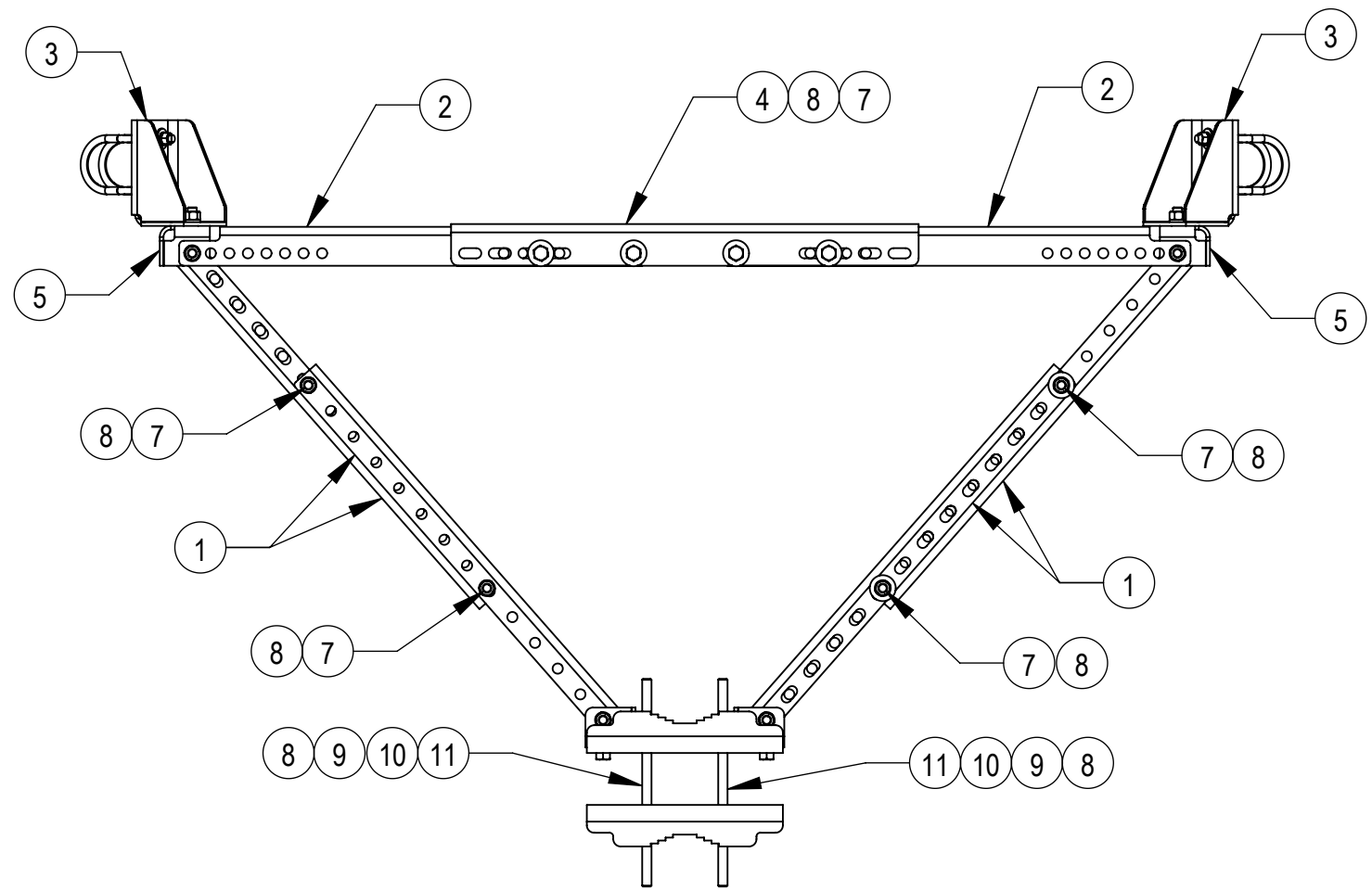
NOTES:

- 1.0 GENERAL
 - 1.1 ALL METRIC DIMENSIONS ARE IN BRACKETS
 - 1.2 FOR PATENT INFO :<https://www.cs-pat.com>
- 2.0 DESIGN NOTES
 - 2.1 TORQUE TO 115-125 FT-LBS
- 3.0 MANUFACTURING/SPECIAL REQUIRMENTS
- 4.0 TEST
- 5.0 PACKAGING

REVISIONS				
REV.	ECN	DESCRIPTION	BY	DATE
A	8000036640	INITIAL RELEASE	RJC	09/16/19



DETAIL B
SCALE 1 : 4



ITEM	PART NO.	DESCRIPTION	QTY.	NOTE NO.
1	MCPM-2100	ARM, 31.5" SUPPORT	4	
2	MCPM-2101	SUPPORT, STABILIZER HORIZONTAL	2	
3	MCPM-2102	MOUNT, STABILIZER TOP RAIL	2	
4	MCPM-2103	EXTENSION, STABILIZER HORIZONTAL	1	
5	MCPM-2104	BRACKET, TOP RAIL MOUNT SWIVEL	4	
6	MCPM-2108	CLAMP, STABILIZER MOUNTING	2	
7	GB-05145	5/8" X 1-1/2" GALV BOLT KIT	24	
8	GWF-05	5/8" GALV FLAT WASHER	20	
9	GWL-05	5/8" GALV LOCK WASHER	8	
10	GN-05	5/8" GALV HEX NUT	8	
11	MT-382-14	5/8" X 14" GALV THREADED ROD	4	
12	GUB-4352	1/2" X 3" X 5-1/4" GALV U-BOLT	4	

COMMSCOPE, INC. OF NORTH CAROLINA

TOLERANCES		SAP MATERIAL MASTER		
1 PLACE .X± .25	3 PLACE .XXX± 0.06	PVS-050B-U		
2 PLACE .XX± 0.12	ANGLES ± 2°			
FINISH GALV A123		MATERIAL A1011/A1018 GR 36		
<small>UNLESS OTHERWISE SPECIFIED DIMENSIONS ARE IN INCHES INTERPRET PER ANSI Y 14.5M-1994</small>		NAME	DATE	
		CE RJC	08/12/19	
		RW BCAMPBELLCON	09/16/2019	
		RV MC1107	09/17/2019	
AD	09/17/2019	TOP RAIL REINFORCEMENT KIT		
RE FA1024	09/18/2019			
ECN 008000036640	SCALE 1:12	DOCUMENT NO. PVS-050B-U		
SIZE WORK AREA 24	MODEL		DRAWING	
C	VERSION 00		STATUS RE	REVISION A
	VERSION 00		STATUS RE	REVISION A
				SHEET 1 OF 1

DENSITY	132.75	lbs/in ³
MASS	469.64	lbs
VOLUME	4509.64	in ³
SURFACE AREA		in ²
HEIGHT		
LENGTH		
WIDTH		