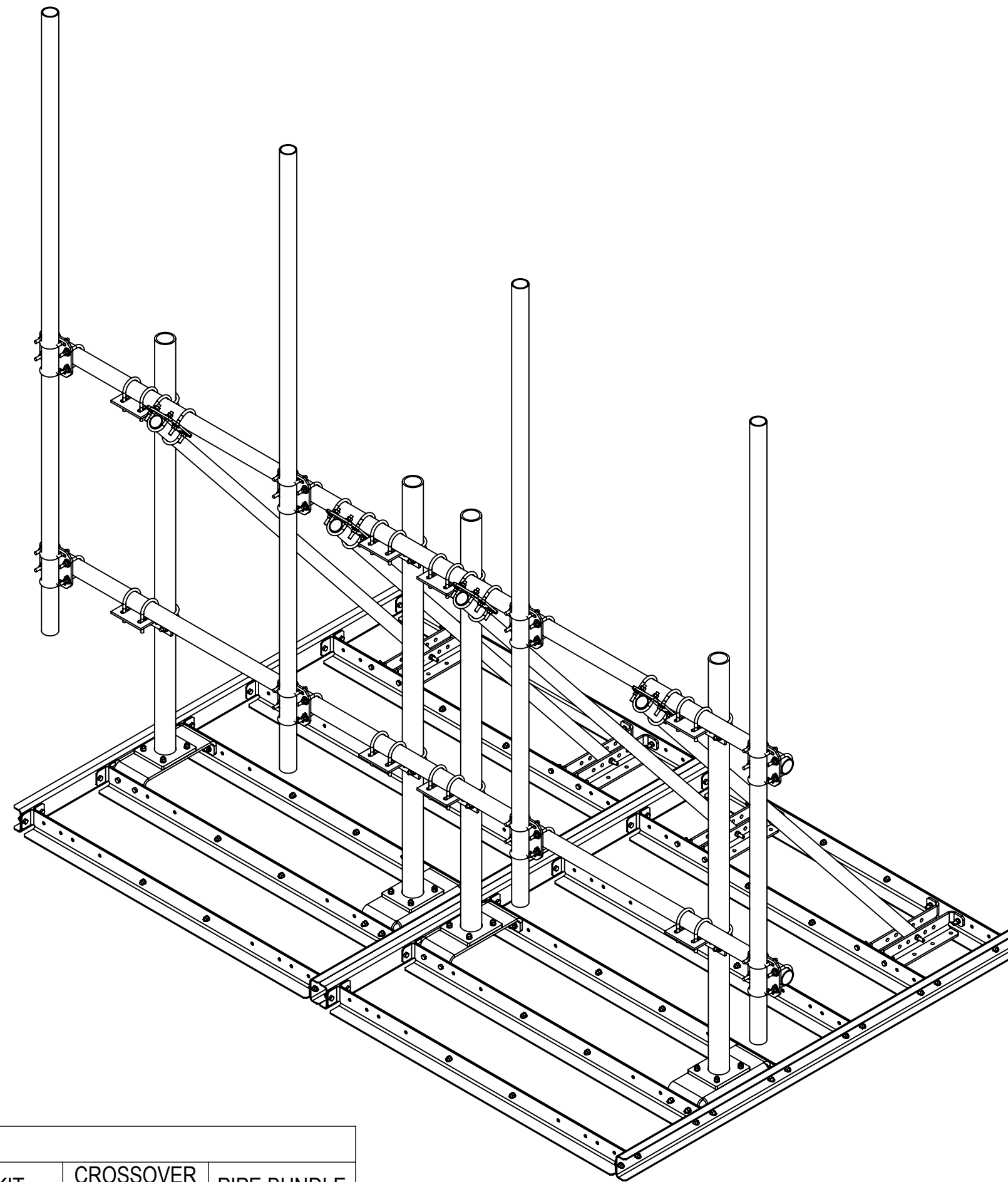


NOTES:

- 1.0 GENERAL
 - 1.1 ALL METRIC DIMENSIONS ARE IN BRACKETS
 - 1.2 FOR PATENTS, SEE www.cs-pat.com
- 2.0 DESIGN NOTES
- 3.0 MANUFACTURING/SPECIAL REQUIRMENTS
- 4.0 TEST
- 5.0 PACKAGING

REVISIONS				
REV.	ECN	DESCRIPTION	BY	DATE
A	8000035243	INITIAL RELEASE	RJC	05/23/19



TOP LEVEL COMPONENTS

PART NO.	DESCRIPTION	BALLAST KIT	SECTOR KIT	CROSSOVER KIT	PIPE BUNDLE
RT-DF12-B	MOUNT, 12' DUAL BALLAST W/O PIPES	RT-NF-BAL (QTY 2)	RT-NF-SCTR (QTY 2)	N/A	PB0212K
RT-DF12-3-96	MOUNT, 12' DUAL BALLAST W/3 96" PIPES	RT-NF-BAL (QTY 2)	RT-NF-SCTR (QTY 2)	XP-2525 (QTY 6)	PB0212K0308K
RT-DF12-3-126	MOUNT, 12' DUAL BALLAST W/3 126" PIPES	RT-NF-BAL (QTY 2)	RT-NF-SCTR (QTY 2)	XP-2525 (QTY 6)	PB0212K0310K
RT-DF12-4-96	MOUNT, DUAL 12' BALLAST W/4 96" PIPES	RT-NF-BAL (QTY 2)	RT-NF-SCTR (QTY 2)	XP-2525 (QTY 8)	PB0212K0408K
RT-DF12-4-126	MOUNT, 12' DUAL BALLAST W/4 126" PIPES	RT-NF-BAL (QTY 2)	RT-NF-SCTR (QTY 2)	XP-2525 (QTY 8)	PB0212K0410K
RT-DF14-B	MOUNT, 14' DUAL BALLAST W/O PIPES	RT-NF-BAL (QTY 2)	RT-NF-SCTR (QTY 2)	N/A	PB0214K
RT-DF14-3-96	MOUNT, 14' DUAL BALLAST W/3 96" PIPES	RT-NF-BAL (QTY 2)	RT-NF-SCTR (QTY 2)	XP-2525 (QTY 6)	PB0214K0308K
RT-DF14-3-126	MOUNT, 14' DUAL BALLAST W/3 126" PIPES	RT-NF-BAL (QTY 2)	RT-NF-SCTR (QTY 2)	XP-2525 (QTY 6)	PB0214K0310K
RT-DF14-4-96	MOUNT, 14' DUAL BALLAST W/4 96" PIPES	RT-NF-BAL (QTY 2)	RT-NF-SCTR (QTY 2)	XP-2525 (QTY 8)	PB0214K0408K
RT-DF14-4-126	MOUNT, 14' DUAL BALLAST W/4 126" PIPES	RT-NF-BAL (QTY 2)	RT-NF-SCTR (QTY 2)	XP-2525 (QTY 8)	PB0214K0410K

FOR ASSEMBLY INSTRUCTIONS SEE DRAWING RT-NF.

PIPE BUNDLE TABLE

PART NO.	FACE PIPE	ANTENNA PIPE
PB0212K	MT-546-150	N/A
PB0212K0308K	MT-546-150	MT54696
PB0212K0310K	MT-546-150	MT-546-126
PB0212K0408K	MT-546-150	MT54696
PB0212K0410K	MT-546-150	MT-546-126
PB0214K	MT-546-174	N/A
PB0214K0308K	MT-546-174	MT54696
PB0214K0310K	MT-546-174	MT-546-126
PB0214K0408K	MT-546-174	MT54696
PB0214K0410K	MT-546-174	MT-546-126

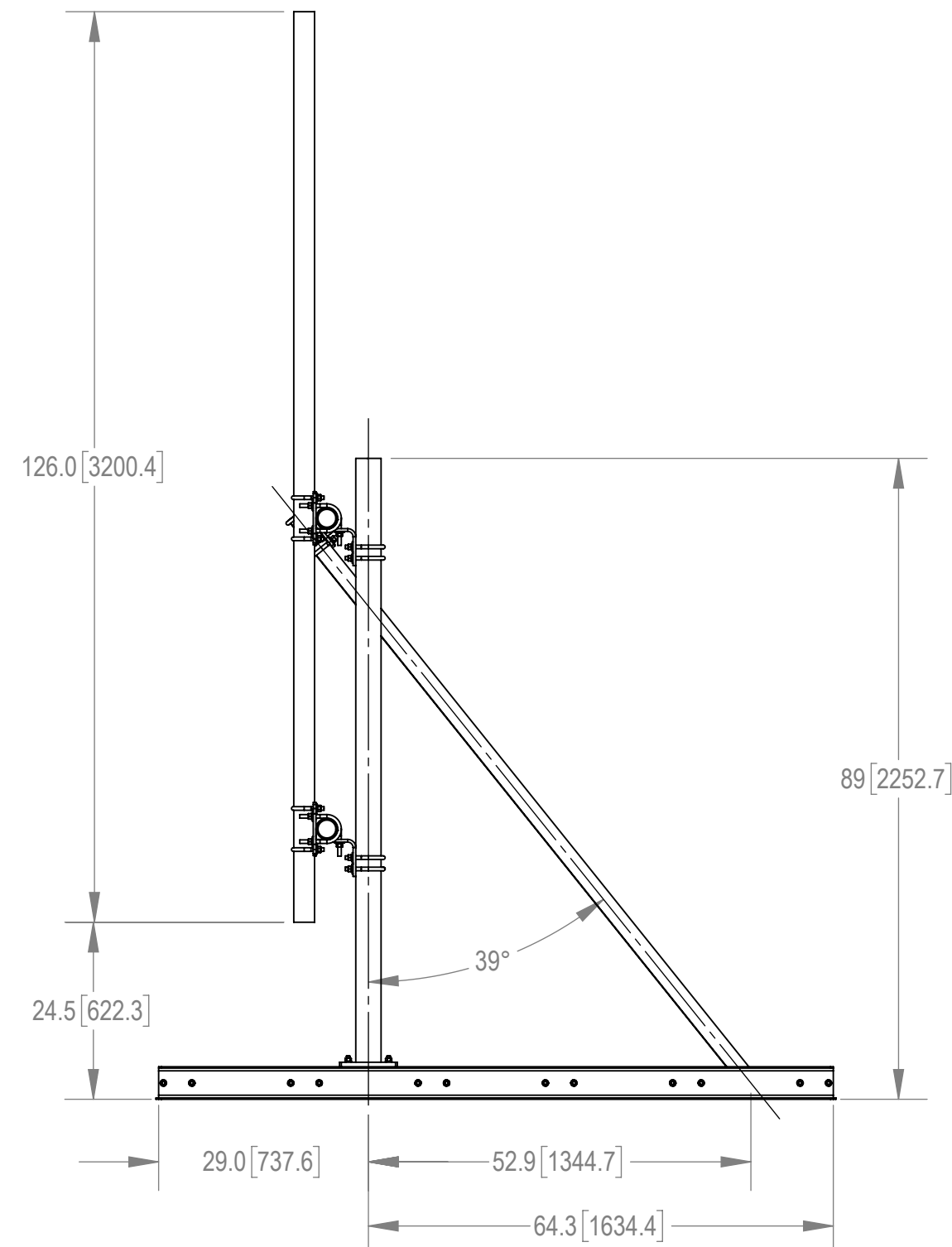
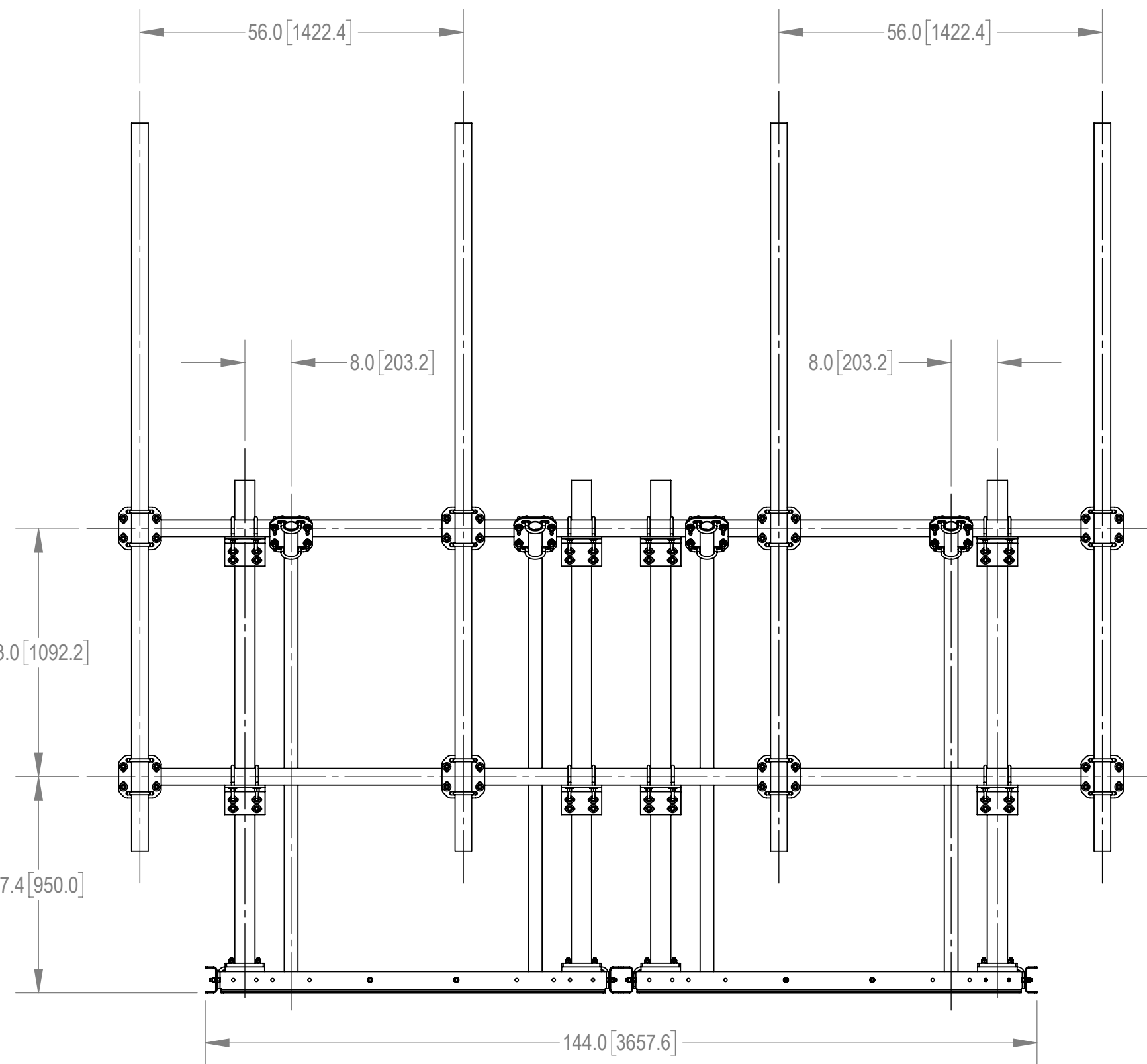
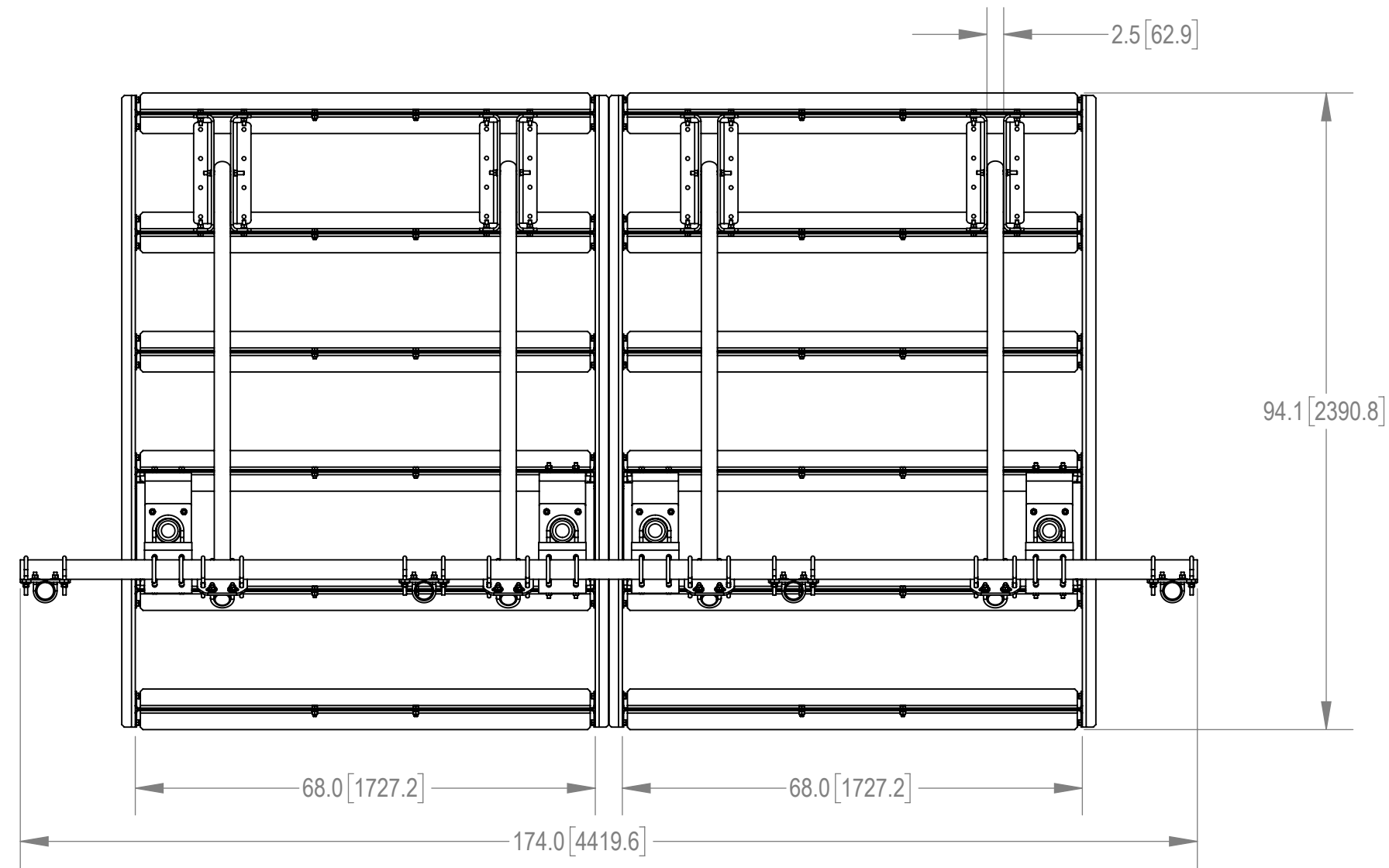
DENSITY		lbs/in ³
MASS	1926.68	lbs
VOLUME	6830.24	in ³
SURFACE AREA	64780.63	in ²
HEIGHT		
LENGTH		
WIDTH		

RT-DF14-4-126 SHOWN

COMMSCOPE, INC. OF NORTH CAROLINA

TOLERANCES		SAP MATERIAL MASTER							
1 PLACE .X ±	SEE NOTE 1	3 PLACE .XXX ±	RT-DF						
2 PLACE .XX ±		ANGLES ±							
FINISH		MATERIAL							
GALV A123		A500, A1011/A1018							
UNLESS OTHERWISE SPECIFIED DIMENSIONS ARE IN INCHES INTERPRET PER ANSI Y 14.5M-1994	NAME	DATE	TITLE						
	CE RJC	05/16/19	MOUNT, DUAL BALLAST ROOF TOP						
	RW BCAMPBELLCON	05/29/2019							
	RV								
	AD RD1048	05/29/2019	SCALE	DOCUMENT NO.					
RE RD1048	05/29/2019	1:20	RT-DF						
ECN 008000035243	SIZE	WORK AREA 24	MODEL						
	C		VERSION	STATUS	REVISION	VERSION	STATUS	REVISION	SHEET
			05	RE	B	03	RE	A	1 OF 2

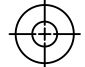
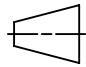
NOTES:



RT-DF14-4-126 SHOWN

COMMSCOPE, INC. OF NORTH CAROLINA

TITLE
MOUNT, DUAL BALLAST ROOF TOP

SIZE C	SCALE 1:22	DOCUMENT NO. RT-DF		
 		DRAWING		
		VERSION 03	STATUS RE	REVISION A