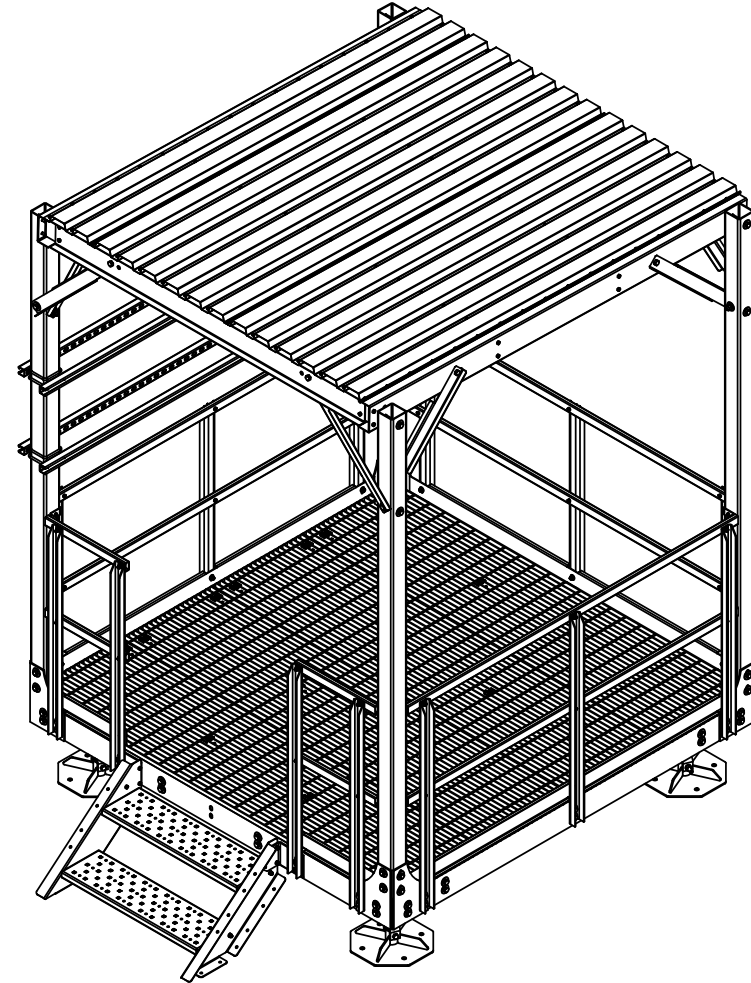


NOTES:

1.0 ALL METRIC DIMENSIONS ARE IN BRACKETS.

| REVISIONS | | | | |
|-----------|------------|---|-----|----------|
| REV. | ECN | DESCRIPTION | BY | DATE |
| A | 8000022416 | INITIAL RELEASE | RJC | 04/21/17 |
| B | 8000022632 | ADDED SHEET 6, INCREASED QUANTITY OF TS1275 | DRR | 05/01/17 |



| ITEM | PART NO. | DESCRIPTION | QTY. | WEIGHT | NOTE NO. |
|------|----------------|---|------|------------|----------|
| 1 | EQPS36 | STEP, GALVANIZED | 2 | 16.93 LBS | |
| 2 | GB-03105 | 3/8" X 1" GALV BOLT KIT | 59 | 0.05 LBS | |
| 3 | GB-03205 | 3/8" X 2" GALV BOLT KIT | 26 | 0.08 LBS | |
| 4 | GB-05205 | 5/8" X 2" GALV BOLT KIT | 100 | 0.26 LBS | |
| 5 | GB-05545 | 5/8" X 5-1/2" GALV BOLT KIT | 28 | 0.56 LBS | |
| 6 | GCM03 | GRATING CLIP | 24 | 0.44 LBS | |
| 7 | GWF-03 | 3/8" GALV FLAT WASHER | 47 | 0.01 LBS | |
| 8 | GWF-05 | 5/8" GALV FLAT WASHER | 236 | 0.06 LBS | |
| 9 | MT504100 | UNISTRUT, 100" LENGTH | 4 | 14.47 LBS | |
| 10 | MTC371084 | 3/8" X 4" X 5" SQUARE U-BOLT | 8 | 0.50 LBS | |
| 11 | MTC3813C14 | CANOPY BRACE, 11 GA, 30" | 8 | 4.18 LBS | |
| 12 | MTC3813S07 | FRAME, RIGHT STAIR 2 STEP SIDE | 1 | 11.00 LBS | |
| 13 | MTC3813S08 | FRAME, LEFT STAIR 2 STEP SIDE | 1 | 11.00 LBS | |
| 14 | MTC396602 | BRACKET, CANOPY - ANGLE | 8 | 1.13 LBS | |
| 15 | MTC3966100 | CHANNEL, CANOPY SUPPORT - PRIMARY | 2 | 37.95 LBS | |
| 16 | MTC3966110 | POST, CANOPY - 4 X 4 | 4 | 85.769 LBS | |
| 17 | MTC396613 | 8" Platform Channel Center | 4 | 62.60 LBS | |
| 18 | MTC396614 | 8" Platform Channel | 2 | 65.38 LBS | |
| 19 | MTC396615 | Channel, Foot Mounting | 4 | 18.49 LBS | |
| 20 | MTC396616 | CHANNEL, CANOPY SUPPORT - SECONDARY | 4 | 24.26 LBS | |
| 21 | MTC396620 | POST, HANDRAIL | 13 | 12.95 LBS | |
| 22 | MTC396621 | PLATE, CANOPY LEG SUPPORT | 8 | 6.47 LBS | |
| 23 | MTC396624 | BRACKET, STEP MOUNTING | 2 | 3.72 LBS | |
| 24 | MTC396627 | HANDRAIL, HORIZONTAL | 6 | 15.65 LBS | |
| 25 | MTC396628 | PLATE, HANDRAIL TOEBOARD | 3 | 14.50 LBS | |
| 26 | MTC396629 | HANDRAIL, HORIZONTAL | 4 | 3.79 LBS | |
| 27 | MTC396630 | PLATE, HANDRAIL TOEBOARD | 2 | 3.16 LBS | |
| 28 | MTCP.01 | 6" Channel Adapter Angle | 16 | 3.18 LBS | |
| 29 | RDB2036100 | ROOF DECKING B 20 GA 36" X 100" | 3 | 51.72 LBS | |
| 30 | TS1275 | TEK SCREW #12 X 3/4, WITH NEOPRENE WASHER | 102 | 0.02 LBS | |
| 31 | MTC79020808.03 | 24" X 96" BAR GRATING | 4 | 114.17 LBS | |
| 32 | EQ-P-DF | Equipment Platform Feet | 4 | 34.39 LBS | |
| 33 | MTC396634 | BRACKET, HANDRAIL - TIE | 4 | 0.46 LBS | |

COMMSCOPE, INC. OF NORTH CAROLINA

| | | | |
|-----------------------|----------------------|---------------------------------|------------------------------|
| TOLERANCES | | SAP MATERIAL MASTER | |
| 0 PLACE X ± .25 | 2 PLACE XX ± .06 | MTC39668 | |
| 1 PLACE .X ± .12 | ANGLES ± 2° | | |
| FINISH | | MATERIAL | |
| GALV A123 | | A36,A529,A568,A572,A1011 | |
| NAME | | TITLE | |
| CE RJC | DATE 04/19/17 | 8 X 8 PLATFORM | |
| RE TP | DATE 04/19/17 | SCALE 1:18 | DOCUMENT NO. MTC39668 |
| ECN 8000022416 | | | |
| DENSITY | MASS | VOLUME | SURFACE AREA |
| | 2373.83 lbs | in ³ | in ² |
| HEIGHT | LENGTH | WIDTH | |
| | | | |
| SIZE | WORK AREA | MODEL | DRAWING |
| C | | VERSION | STATUS |
| | | REVISION | VERSION |
| | | STATUS | REVISION |
| | | | B |
| | | | SHEET |
| | | | 1 OF 6 |

NOTES:

NOTE: PLATFORM FEET ARE WITHIN THE 8 X 8 PLATFORM FOOTPRINT.

TRIM DECKING
(NO OVER HANG)

8'-0" [2438.4]

8'-0" [2438.4]

TRIM DECKING
(NO OVER HANG)

3'-0" [914.4]

104 [2637.5]
INSIDE

22.1 [561.74]
12.1 [307.74]

20 [515.3]

7.00 [177.8]

11'-2" [3399.3]

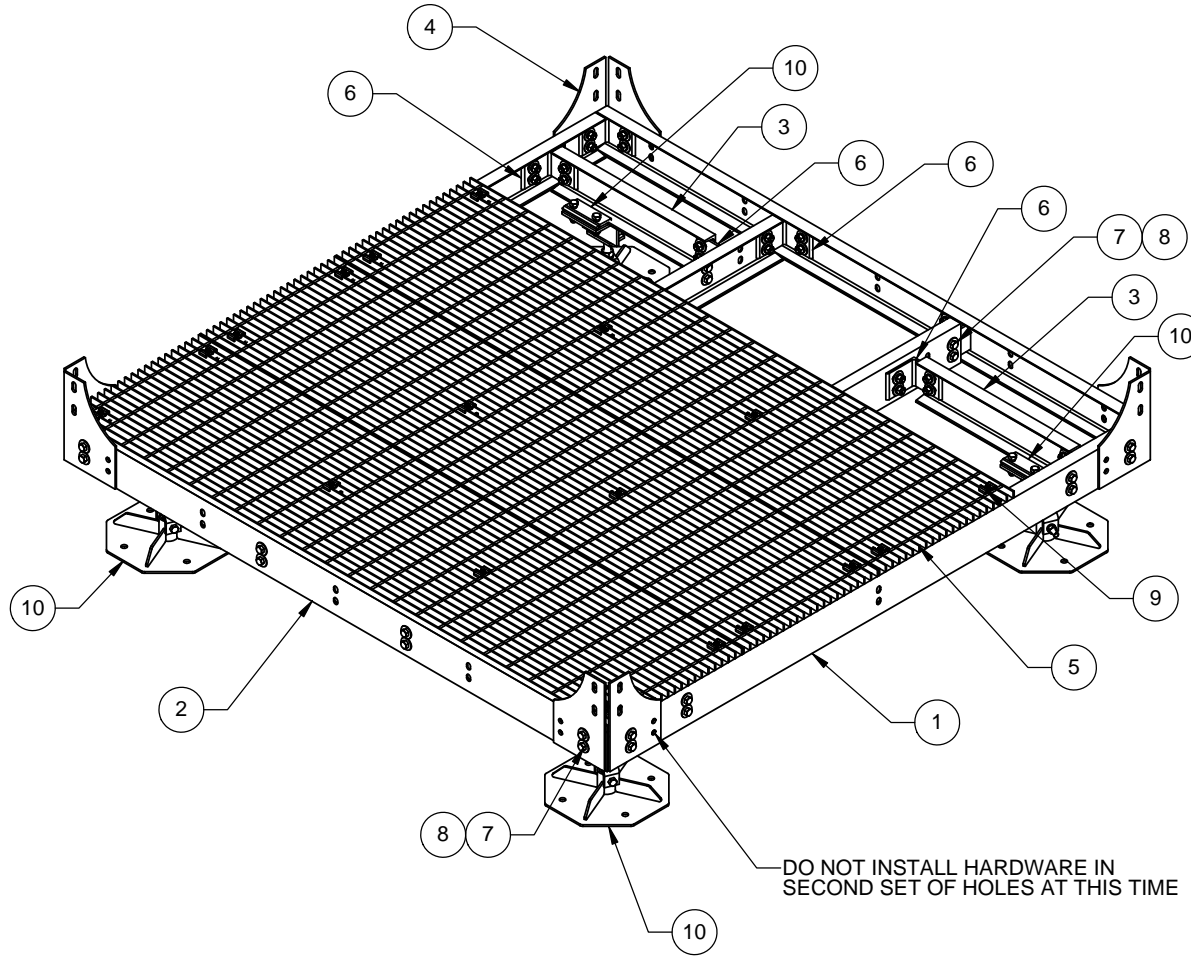
42 [1070.6]

LEGS ADJUSTABLE +/- 5" TO ACCOUNT FOR GRADE

| | | | | |
|-----------------------------------|--------|--------------|--------|-------|
| COMMSCOPE, INC. OF NORTH CAROLINA | | | | |
| TITLE | | | | |
| 8 X 8 PLATFORM | | | | |
| SIZE | SCALE | DOCUMENT NO. | | |
| C | 1:24 | MTC39668 | | |
| DRAWING | | | | SHEET |
| VERSION | STATUS | REVISION | 2 OF 6 | |
| | | B | | |

NOTES:

LOCATION OF HARDWARE AND ORIENTATION OF BRACKETS IS CRITICAL



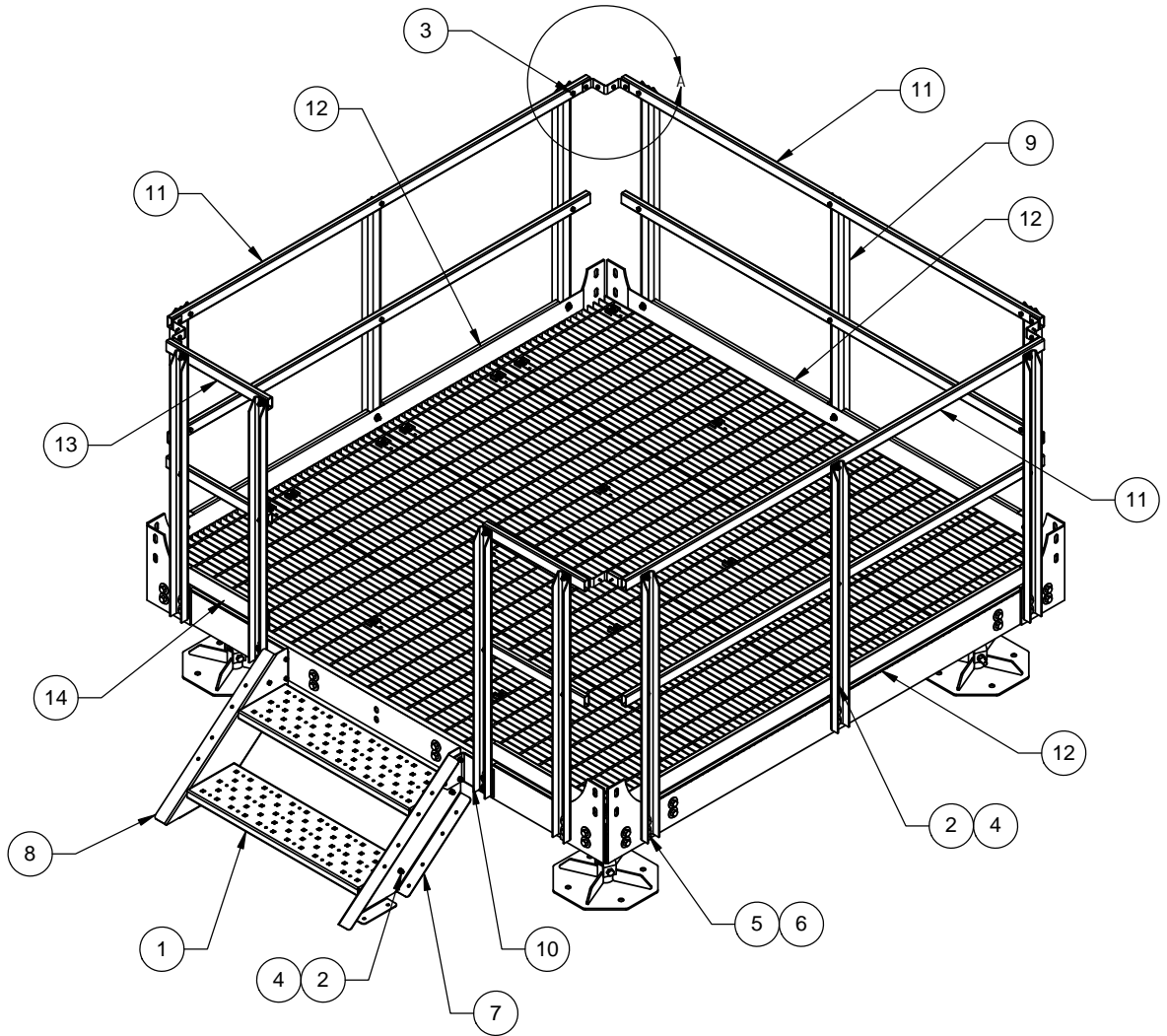
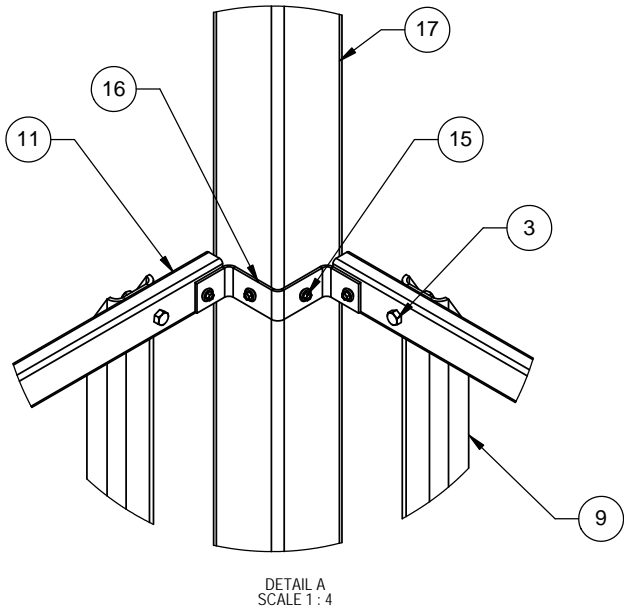
SOME ITEMS OMITTED FOR CLARITY

| ITEM | PART NO. | DESCRIPTION | QTY. | WEIGHT | NOTE NO. |
|------|----------------|----------------------------|------|------------|----------|
| 1 | MTC396613 | 8' Platform Channel Center | 4 | 62.60 LBS | |
| 2 | MTC396614 | 8' Platform Channel | 2 | 65.38 LBS | |
| 3 | MTC396615 | Channel, Foot Mounting | 4 | 18.49 LBS | |
| 4 | MTC396621 | PLATE, CANOPY LEG SUPPORT | 8 | 6.47 LBS | |
| 5 | MTC79020808.03 | 24" X 96" BAR GRATING | 4 | 114.17 LBS | |
| 6 | MTCP.01 | 6" Channel Adapter Angle | 16 | 3.18 LBS | |
| 7 | GB-05205 | 5/8" X 2" GALV BOLT KIT | 64 | 0.26 LBS | |
| 8 | GWf-05 | 5/8" GALV FLAT WASHER | 128 | 0.06 LBS | |
| 9 | GCM03 | GRATING CLIP | 24 | 0.44 LBS | |
| 10 | EQ-P-DF | Equipment Platform Feet | 4 | 34.39 LBS | |

| | | | | |
|-----------------------------------|-------------|-----------------|--------|----------|
| COMMSCOPE, INC. OF NORTH CAROLINA | | | | |
| TITLE | | | | |
| 8 X 8 PLATFORM | | | | |
| SIZE | SCALE | DOCUMENT NO. | | |
| C | 1:12 | MTC39668 | | |
| DRAWING | | VERSION | STATUS | REVISION |
| | | | | B |
| SHEET | | | | 3 OF 6 |



NOTES:

ASSEMBLE HANDRAIL CORNER BRACES (16) AFTER CANOPY ASSEMBLY HAS BEEN COMPLETED.



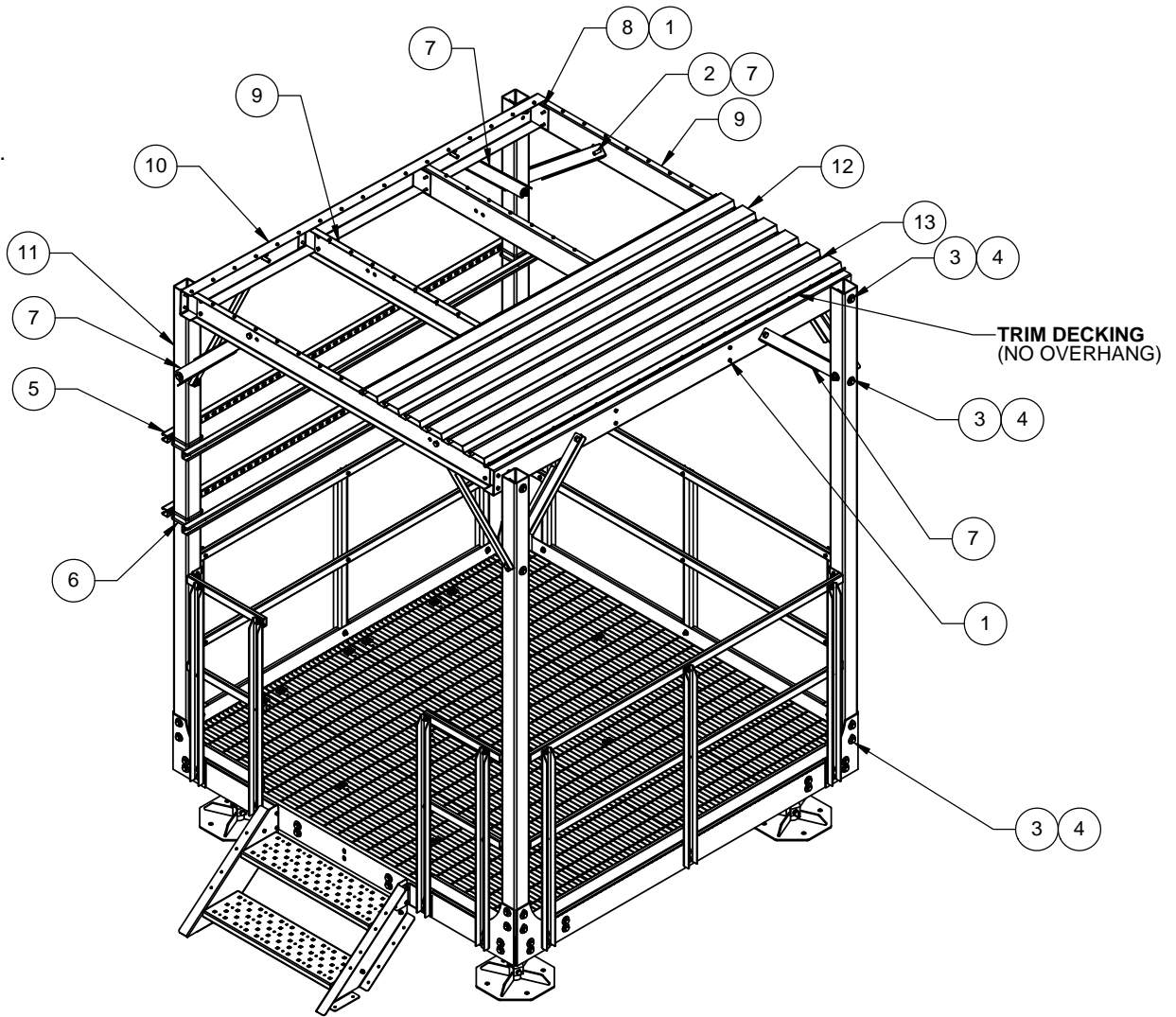
| ITEM | PART NO. | DESCRIPTION | QTY. | WEIGHT | NOTE NO. |
|------|------------|---|------|------------|----------|
| 1 | EQPS36 | STEP, GALVANIZED | 2 | 16.93 LBS | |
| 2 | GB-03105 | 3/8" X 1" GALV BOLT KIT | 27 | 0.05 LBS | |
| 3 | GB-03205 | 3/8" X 2" GALV BOLT KIT | 26 | 0.08 LBS | |
| 4 | GWFF-03 | 3/8" GALV FLAT WASHER | 47 | 0.01 LBS | |
| 5 | GB-05205 | 5/8" X 2" GALV BOLT KIT | 26 | 0.26 LBS | |
| 6 | GWFF-05 | 5/8" GALV FLAT WASHER | 52 | 0.06 LBS | |
| 7 | MTC3813S07 | FRAME, RIGHT STAIR 2 STEP SIDE | 1 | 11.00 LBS | |
| 8 | MTC3813S08 | FRAME, LEFT STAIR 2 STEP SIDE | 1 | 11.00 LBS | |
| 9 | MTC396620 | POST, HANDRAIL | 13 | 12.95 LBS | |
| 10 | MTC396624 | BRACKET, STEP MOUNTING | 2 | 3.72 LBS | |
| 11 | MTC396627 | HANDRAIL, HORIZONTAL | 6 | 15.65 LBS | |
| 12 | MTC396628 | PLATE, HANDRAIL TOEBOARD | 3 | 14.50 LBS | |
| 13 | MTC396629 | HANDRAIL, HORIZONTAL | 4 | 3.79 LBS | |
| 14 | MTC396630 | PLATE, HANDRAIL TOEBOARD | 2 | 3.16 LBS | |
| 15 | TS1275 | TEK SCREW #12 X 3/4, WITH NEOPRENE WASHER | 16 | 0.02 LBS | |
| 16 | MTC396634 | BRACKET, HANDRAIL - TIE | 4 | 0.46 LBS | |
| 17 | MTC3966110 | POST, CANOPY - 4 X 4 | 1 | 85.769 LBS | |

SOME ITEMS OMITTED FOR CLARITY

| | | | | |
|---|-------------|-----------------|--------|----------|
| COMMSCOPE, INC. OF NORTH CAROLINA | | | | |
| TITLE | | | | |
| 8 X 8 PLATFORM | | | | |
| SIZE | SCALE | DOCUMENT NO. | | |
| C | 1:14 | MTC39668 | | |
| DRAWING | | VERSION | STATUS | REVISION |
|   | | | | B |
| | | | | SHEET |
| | | | | 4 OF 6 |

NOTES:

1. LEAVE $\phi 5/8"$ X 5.5" BOLTS LOOSE UNTIL ENTIRE CANOPY IS FRAMED.
2. ATTACH ITEM 7 KICKERS BEFORE TIGHTENING CANOPY BOLTS.
3. TIGHTEN ALL REMAINING BOLTS.
4. ATTACH CANOPY DECKING WITH SUPPLIED SCREWS.
5. TRIM DECKING TO ELIMINATE OVERHANG.



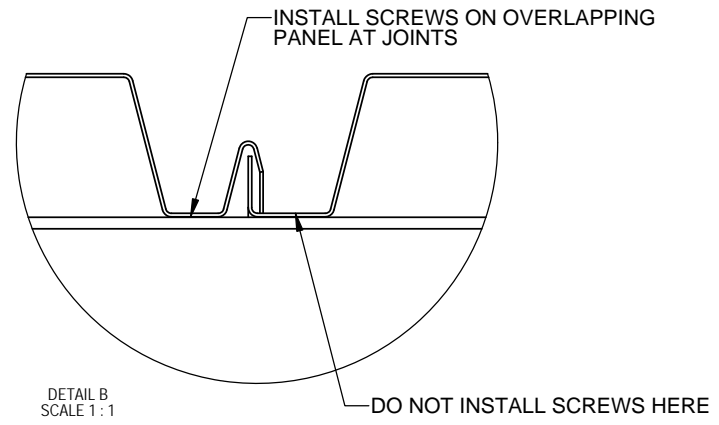
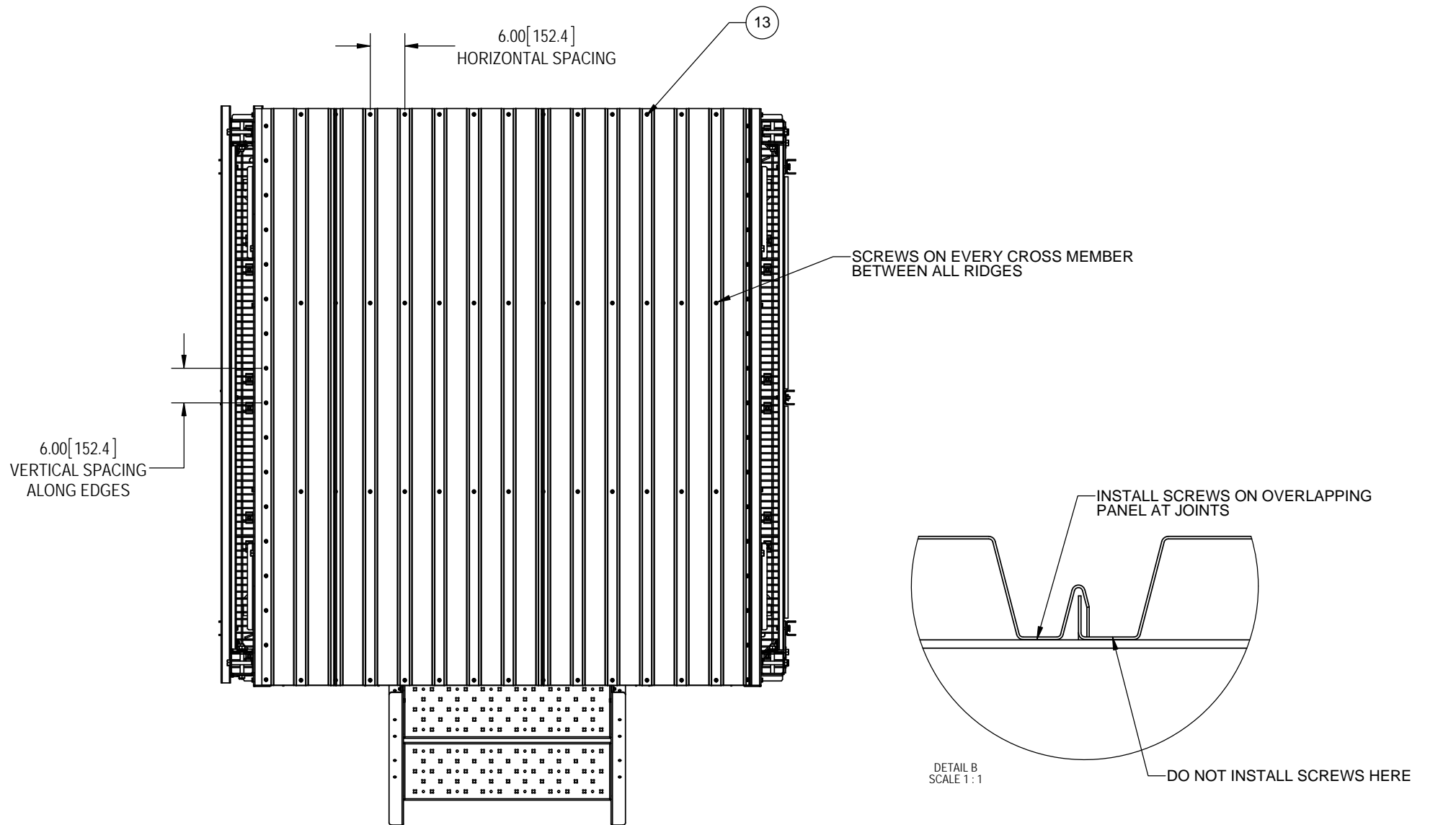
| ITEM | PART NO. | DESCRIPTION | QTY. | WEIGHT | NOTE NO. |
|------|------------|---|------|------------|----------|
| 1 | GB-03105 | 3/8" X 1" GALV BOLT KIT | 32 | 0.05 LBS | |
| 2 | GB-05205 | 5/8" X 2" GALV BOLT KIT | 10 | 0.26 LBS | |
| 3 | GB-05545 | 5/8" X 5-1/2" GALV BOLT KIT | 28 | 0.56 LBS | |
| 4 | GWf-05 | 5/8" GALV FLAT WASHER | 56 | 0.06 LBS | |
| 5 | MT504100 | UNISTRUT, 100" LENGTH | 4 | 14.47 LBS | |
| 6 | MTC371084 | 3/8" X 4" X 5" SQUARE U-BOLT | 8 | 0.50 LBS | |
| 7 | MTC3813C14 | CANOPY BRACE, 11 GA, 30" | 8 | 4.18 LBS | |
| 8 | MTC396602 | BRACKET, CANOPY - ANGLE | 8 | 1.13 LBS | |
| 9 | MTC396616 | CHANNEL, CANOPY SUPPORT - SECONDARY | 4 | 24.26 LBS | |
| 10 | MTC3966100 | CHANNEL, CANOPY SUPPORT - PRIMARY | 2 | 37.95 LBS | |
| 11 | MTC3966110 | POST, CANOPY - 4 X 4 | 4 | 85.769 LBS | |
| 12 | RDB2036100 | ROOF DECKING B 20 GA 36" X 100" | 3 | 51.72 LBS | |
| 13 | TS1275 | TEK SCREW #12 X 3/4, WITH NEOPRENE WASHER | 86 | 0.02 LBS | |

SOME ITEMS OMITTED FOR CLARITY

| | | | |
|-----------------------------------|-------------|-----------------|--------|
| COMMSCOPE, INC. OF NORTH CAROLINA | | | |
| TITLE | | | |
| 8 X 8 PLATFORM | | | |
| SIZE | SCALE | DOCUMENT NO. | |
| C | 1:18 | MTC39668 | |
| DRAWING | | | SHEET |
| VERSION | STATUS | REVISION | 5 OF 6 |
| | | B | |

NOTES:

DETAILS FOR ASSEMBLY OF ROOF AND LOCATION/SPACING OF SCREWS



| | | | | |
|-----------------------------------|-------|--------------|--------|----------|
| COMMSCOPE, INC. OF NORTH CAROLINA | | | | |
| TITLE | | | | |
| 8 X 8 PLATFORM | | | | |
| SIZE | SCALE | DOCUMENT NO. | | |
| C | 1:12 | MTC39668 | | |
| | | DRAWING | | SHEET |
| | | VERSION | STATUS | REVISION |
| | | | | B |
| | | | | 6 OF 6 |