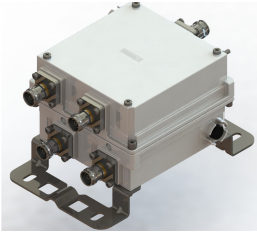


E14F55P25



Twin Diplexer, 703-768/791-935 MHz, DC Bypass on all frequency ports, 4.3-10 connectors

- Industry leading PIM performance
- Designed for network Modernization, introduction of LTE700 on existing site
- Twin configuration
- New 4.3-10 connectors for improved PIM performance and size reduction
- DC/AISG passing on all ports

Product Classification

Product Type Diplexer

General Specifications

Color Gray

Modularity 2-Twin

Mounting Pole | Wall

Mounting Pipe Hardware Band clamps (2)

RF Connector Interface 4.3-10 Female

RF Connector Interface Body Style Medium neck

Dimensions

Height 160 mm | 6.299 in

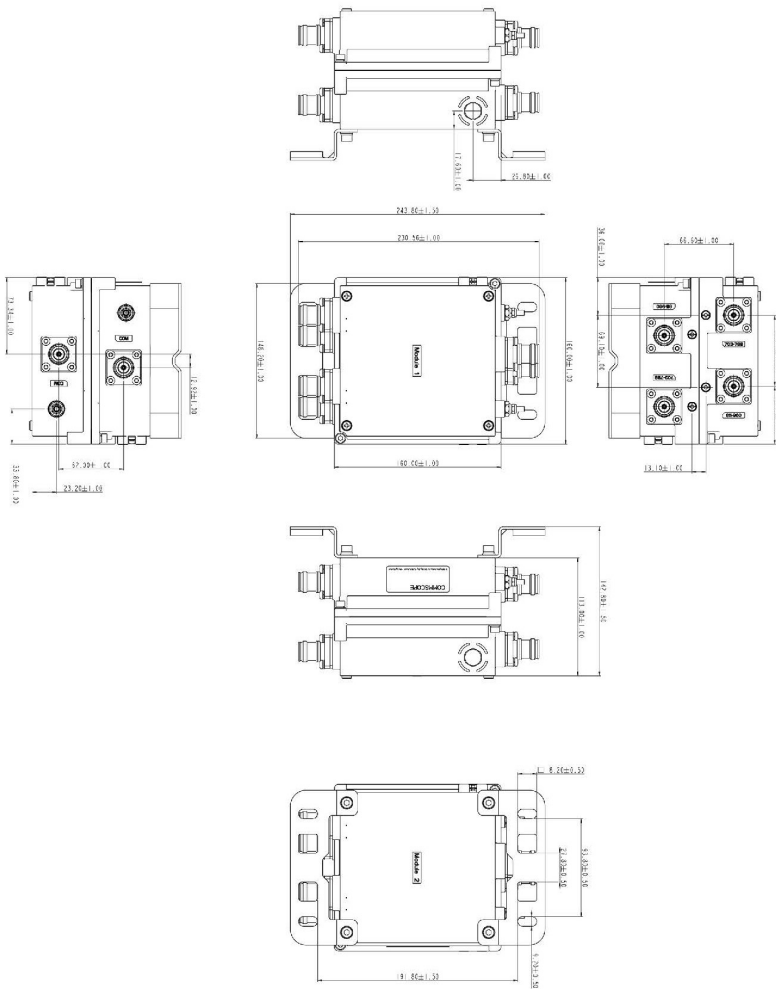
Width 113 mm | 4.449 in

Depth 160 mm | 6.299 in

Mounting Pipe Diameter Range 42.6–122 mm

Outline Drawing

E14F55P25



Electrical Specifications

Impedance	50 ohm
License Band, Band Pass	APT 700 CEL 900

Electrical Specifications, dc Power/Alarm

dc/AISG Pass-through, combiner	Branch 1 Branch 2
dc/AISG Pass-through, demultiplexer	Branch 1 Branch 2
Lightning Surge Current	10 kA
Lightning Surge Current Waveform	8/20 waveform

Electrical Specifications

Sub-module

1 | 2

1 | 2

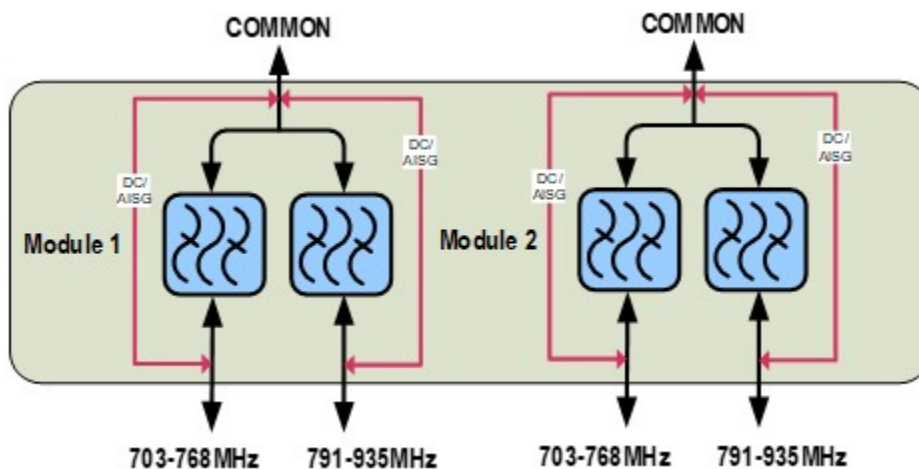
E14F55P25

Branch	1	2
Port Designation	703-768	791-935
License Band	APT 700, Band Pass	CEL 900, Band Pass

Electrical Specifications, Band Pass

Frequency Range, MHz	703–768	791–935
Insertion Loss, typical, dB	0.3	0.3
Return Loss, typical, dB	20	20
Isolation, minimum, dB	50	50
Input Power, RMS, maximum, W	250	250
Input Power, PEP, maximum, W	2500	2500
3rd Order PIM, typical, dBc	-162	-162
3rd Order PIM Test Method	Two +43 dBm carriers	Two +43 dBm carriers

Block Diagram



Environmental Specifications

Operating Temperature	-40 °C to +65 °C (-40 °F to +149 °F)
Corrosion Test Method	IEC 60068-2-11, 30 days
Environmental Test Method	ETSI EN 300 019-1-4
Ingress Protection Test Method	IEC 60529:2001, IP67

Packaging and Weights

Included	Mounting hardware
-----------------	-------------------

E14F55P25

Volume	2.9 L
Weight, net	3.9 kg 8.598 lb
Weight, without mounting hardware	3.6 kg 7.937 lb

Regulatory Compliance/Certifications

Agency

ISO 9001:2015

**Classification**

Designed, manufactured and/or distributed under this quality management system