

4

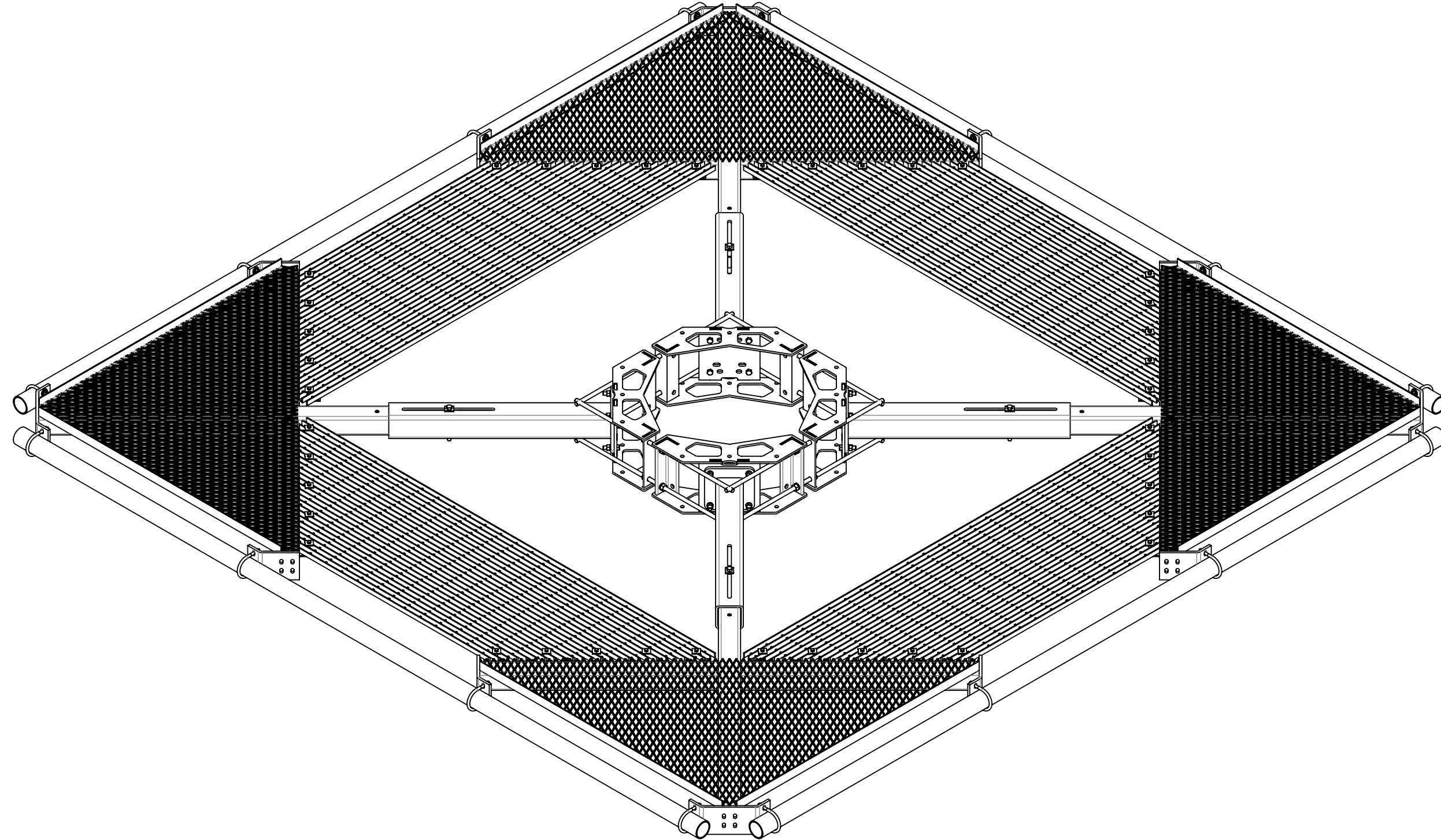
3

2

1

- 1.0 GENERAL NOTES
 1.1 ALL METRIC DIMENSIONS ARE IN BRACKETS [X. X]
 1.2 FOR PATENT INFO: <https://www.cs-pat.com>
- 2.0 DESIGN NOTES
 2.1 ANY HAZARDS OR OBSTRUCTIONS TO THE CLIMBING FACILITY AND SAFETY CLIMB MUST BE IDENTIFIED PRIOR TO INSTALLING THE APPURTENANCE. ADDITIONAL PRODUCTS MAY BE REQUIRED TO MAINTAIN THE INTEGRITY OF THE SAFETY CLIMB. DURING INSTALLATION, TEMPORARY AND/OR PERMANENT PRECAUTIONARY MEASURES SHOULD BE TAKEN TO PRESERVE THE CLIMBING FACILITY AND/OR SAFETY CLIMB.
 2.2 FITS MONOPOLES 30"-60" O.D.
- 3.0 MANUFACTURING/SPECIAL REQUIREMENTS
 3.1 TIGHTEN ALL BOLTS SECURING FLAT PLATES BY THE TURN-OF-NUT METHOD. TIGHTEN ALL U-BOLTS USING TURN-OF-NUT METHOD WITH ATTENTION TO LEAVE EQUAL DISTANCE AND EQUAL FORCE ON EACH LEG OF THE U-BOLT.
- 4.0 TEST
- 5.0 PACKAGING
 5.1 PACKAGING SHALL MEET COMMScope REQUIREMENTS PER DOCUMENT IS-PL-3005
 5.2 PRINTED DOCUMENT TO BE PLACED INSIDE POLYBAG AND THEN IN SHIPPING CONTAINER
 5.3 EXTRA HARDWARE MAY BE SUPPLIED, BAGGED AND SHIPPED

REVISIONS			
REV.	DESCRIPTION	DATE	APPROVED
A	INITIA RELEASE	MSM 18OCT12	
B	NEW RINGMOUNT	MSM 13JUL16	TP 8000015106
C	REDRAWN IN SOLIDWORKS	LL1090 03JUL23	BA1025 40174474CMO
D	MTC820116-00 (ITEM 2) WAS MTC820121	RY1002 20MAR24	YZ1080 40191968CMO



PART NUMBERS, WEIGHTS & EPA

PART NUMBER	DESCRIPTION	WEIGHT (LBS)	(EPA)A (FT^2)*		(EPA)A 1/2" ICE THICKNESS (FT^2)*		ANTENNA PIPES	INCLUDED PARTS			
			MIN	MAX	MIN	MAX		MC-RM3060-4	MCPK14L4-SB01	MCPK4HK	MT547174SB4
MC-PK14L4-B	14'-6" 4-SECTOR PLATFORM 30-60 BASE	2720.21	29.08	30.22	35.86	37.28	-	1	1	1	1

* (EPA)A DOES NOT INCLUDE MOUNTING HARDWARE.

DENSITY		lbs/in ³
MASS	2720.21	lbs
VOLUME	14256.49	in ³
SURFACE AREA	108384.78	in ²
HEIGHT	11.5"	
LENGTH	191.0"	
WIDTH	191.0"	

COMMScope, INC. OF NORTH CAROLINA

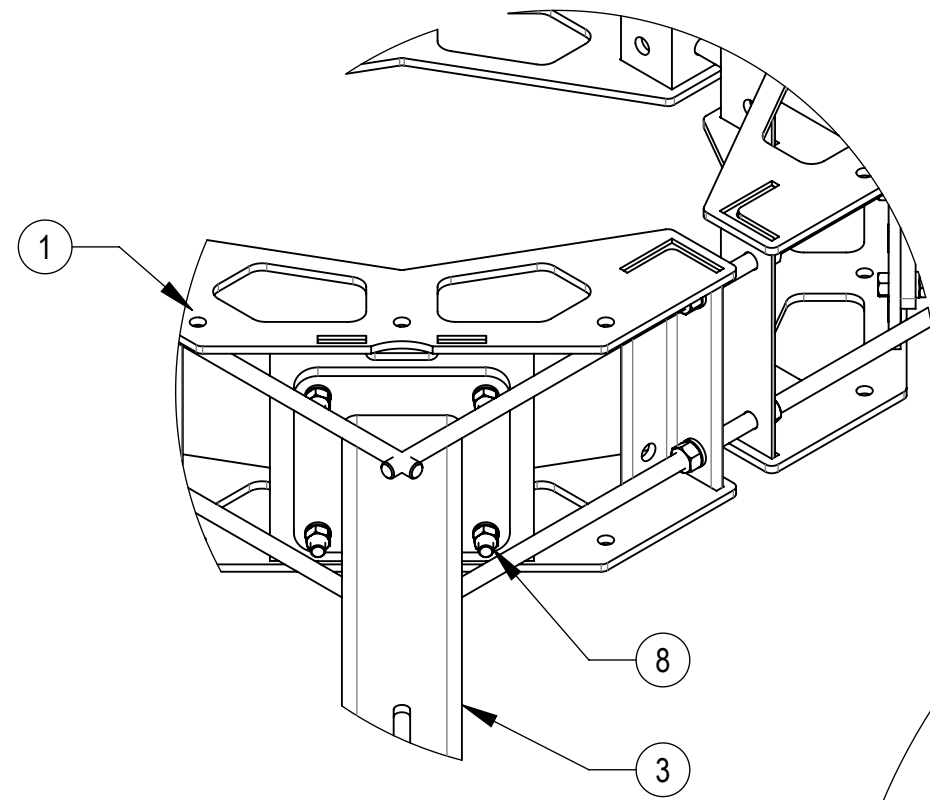
TOLERANCES		SAP MATERIAL MASTER	
1 PLACE .X[X] ± .12[3.0]	3 PLACE .XXX[X] ± .030[0.76]	MC-PK14L4-B	
2 PLACE .XX[X] ± .06[1.5]	ANGLES ± 2°		
FINISH		MATERIAL	
UNLESS OTHERWISE SPECIFIED DIMENSIONS ARE IN INCHES INTERPRET PER ANSI Y 14.5M-1994		TITLE	
CE	MSM	18OCT12	14'-6" 4-SECTOR PLATFORM 30-60 BASE
RW	RY1002	04/17/2024	
AD	YZ1080	04/17/2024	
RE	RY1002	04/25/2024	
ECN 40191968CMO			
SCALE	DOCUMENT NO.		
1:64	MC-PK14L4-B		
SIZE	Auth Group	INSL	MODEL
C			
VERSION	STATUS	REVISION	DRAWING
02	RE	C	01
STATUS	REVISION	STATUS	REVISION
RE	D	RE	D
SHEET			1 OF 4

4

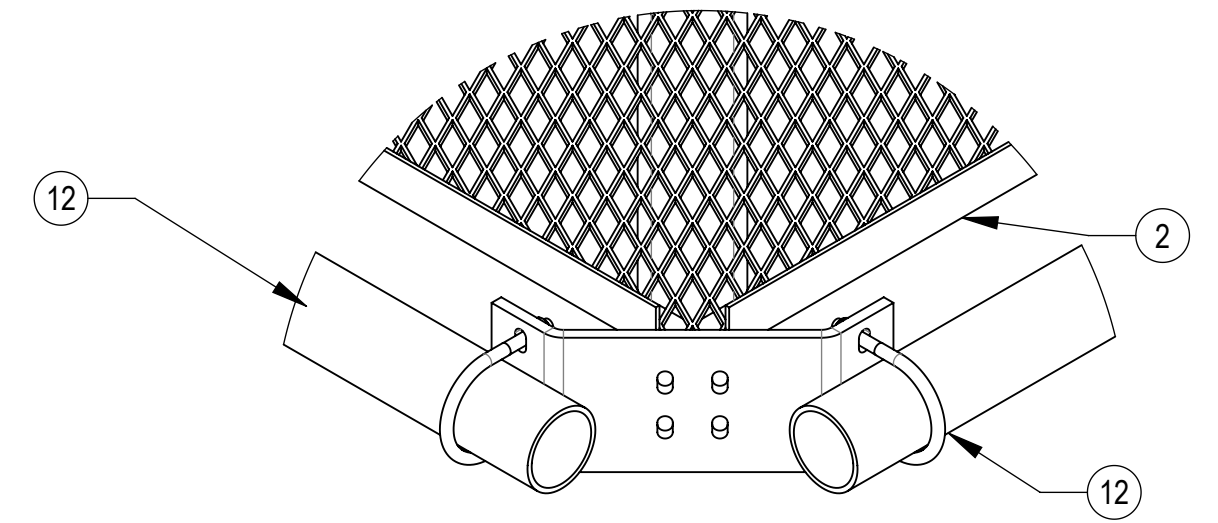
3

2

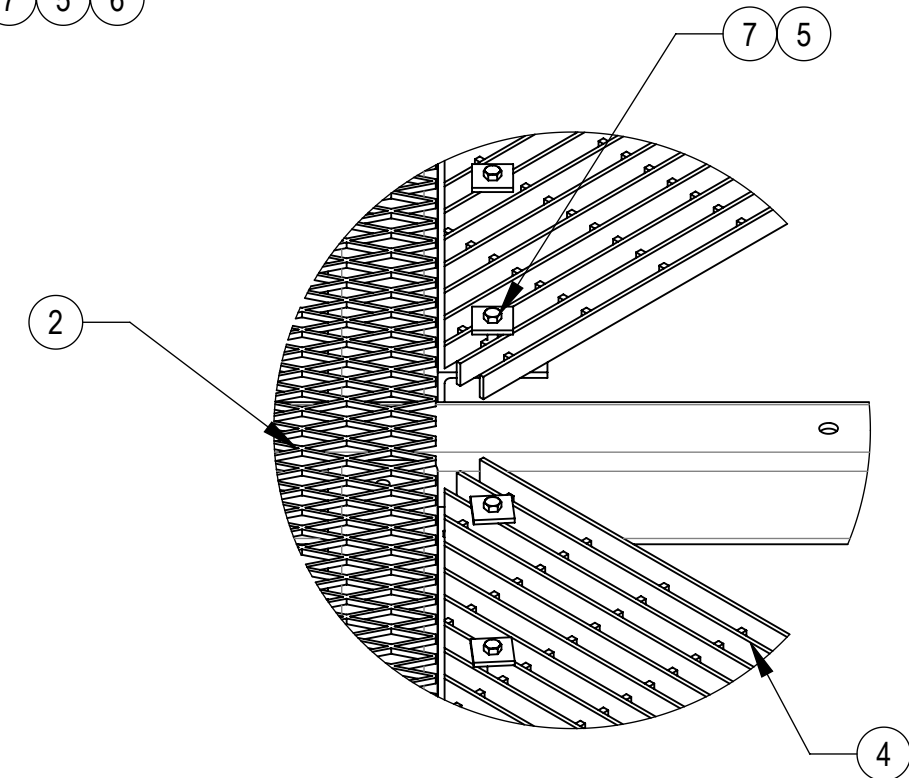
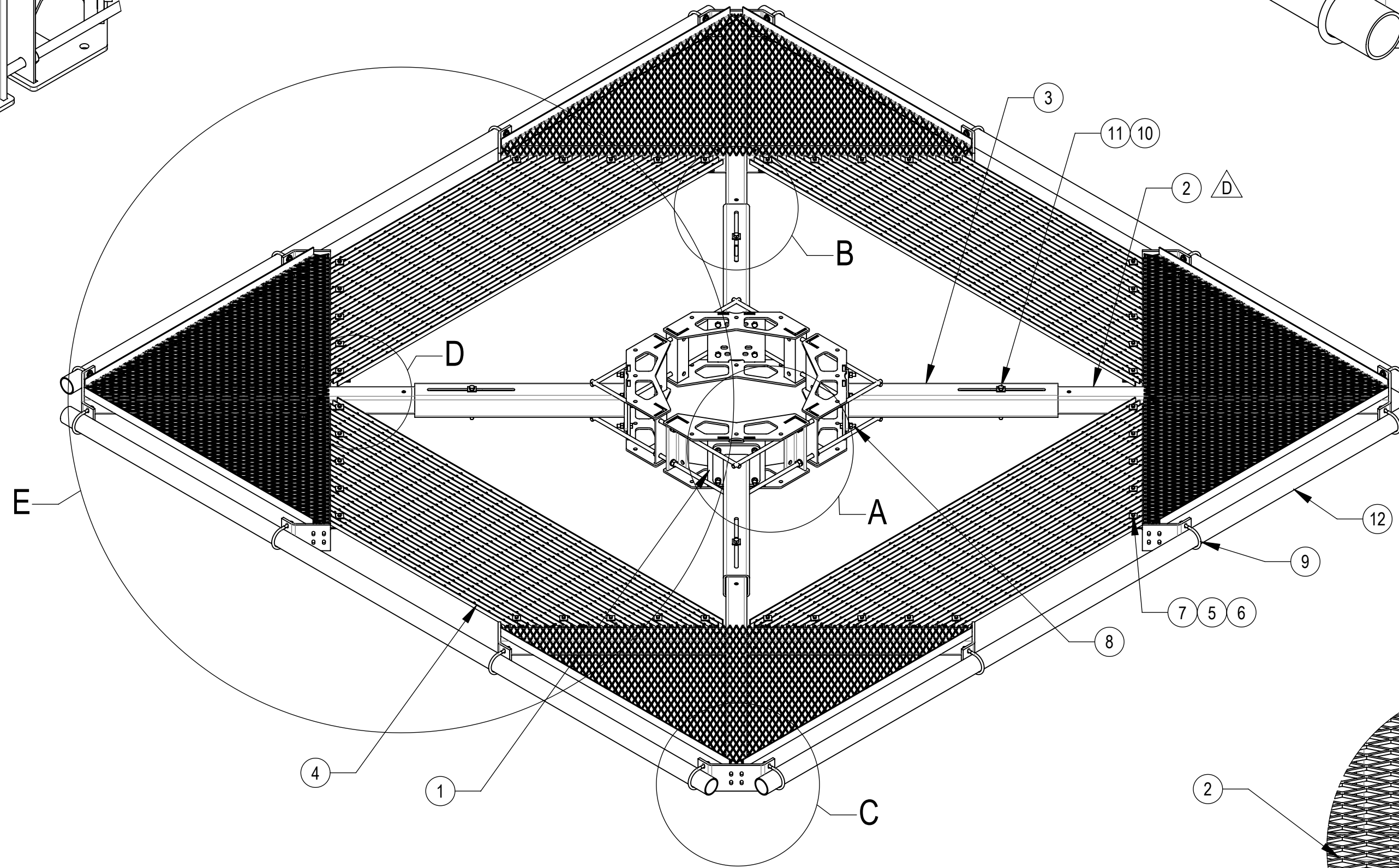
1



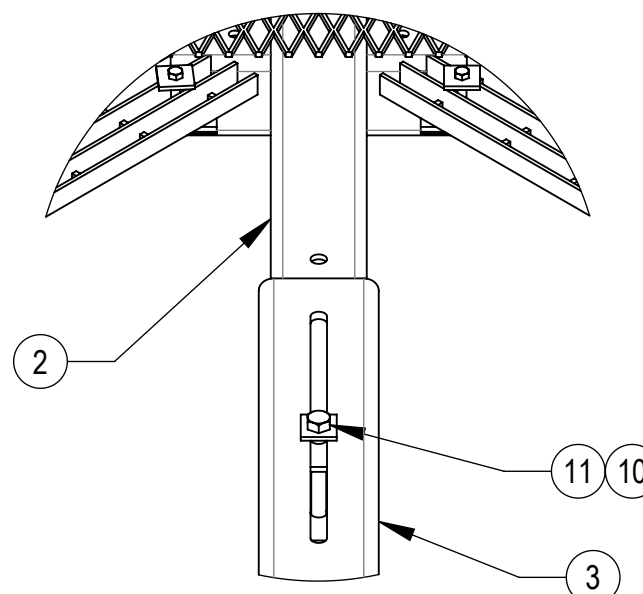
DETAIL A
SCALE 1 : 8



DETAIL C
SCALE 1 : 7



DETAIL D
SCALE 1 : 7



DETAIL B
SCALE 1 : 8

COMPONENT PART NUMBERS PROVIDED FOR ASSEMBLY PURPOSES;
INDIVIDUAL COMPONENTS MAY BE SHIPPED AS PARTS WITHIN AN INCLUDED KIT.

ITEM NO.	PART NUMBER	DESCRIPTION	QTY.	WEIGHT
1	MC-RM3060-4	FOUR SECTOR RING MOUNT, 30-60 OD	1	252.82 LBS
2	MTC820116-00	PLATFORM	4	298.09 LBS
3	MTC820221	4 SECTOR PLATFORM SLIDER TUBE, 14' FACE	4	83.72 LBS
4	MTC820223	GRATING CORNER FILLER	4	116.68 LBS
5	MT-387	SQUARE WASHER 1-1/2"X1-1/2" W/ 7/16 HOLE	40	0.11 LBS
6	GWf-03	3/8" GALV FLAT WASHER	40	0.01 LBS
7	GB-03225	3/8" X 2-1/4" GALV BOLT KIT	40	0.09 LBS
8	GB-0524A	5/8" X 2-1/2" GALV BOLT KIT (A325)	16	0.30 LBS
9	GUB-4355	1/2" X 3-5/8" X 5" GALV U-BOLT	16	0.71 LBS
10	MT389	WASHER, 1-1/2" X 1 5/8", 11/16" HOLE,SQ	8	0.11 LBS
11	GB-0570A	5/8" X 7" GALV BOLT KIT A325	4	0.69 LBS
12	MT-547-174	3 1/2" O.D. X 14'-6" GALV. PIPE	4	109.73 LBS

COMMSCOPE, INC. OF NORTH CAROLINA				
TITLE 14'-6" 4-SECTOR PLATFORM 30-60 BASE				
SIZE C	SCALE 1:24	DOCUMENT NO. MC-PK14L4-B		
DRAWING		VERSION	STATUS	REVISION
SHEET 2 OF 4		01	RE	D

4

3

2

1

D

D

C

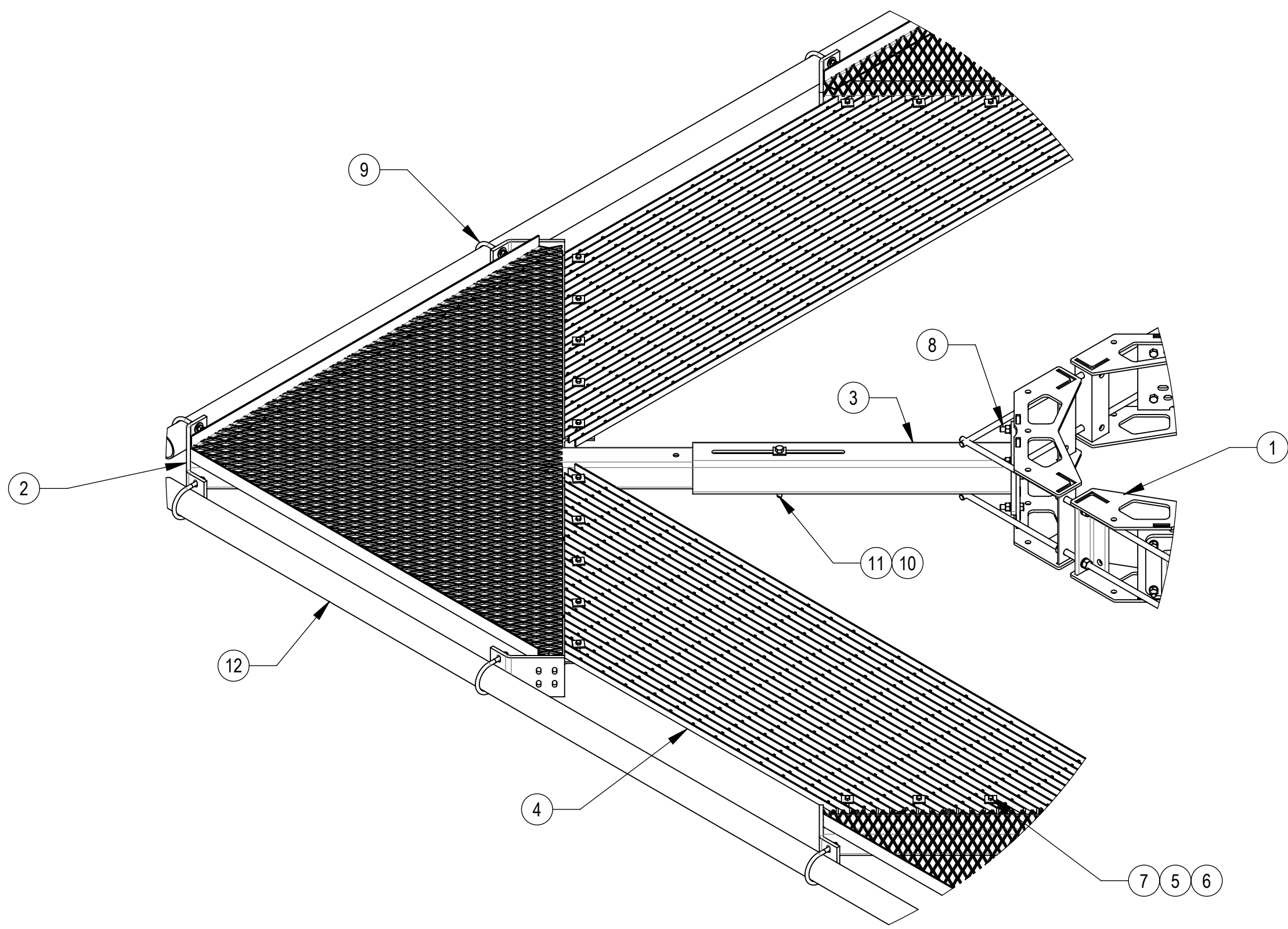
C

B

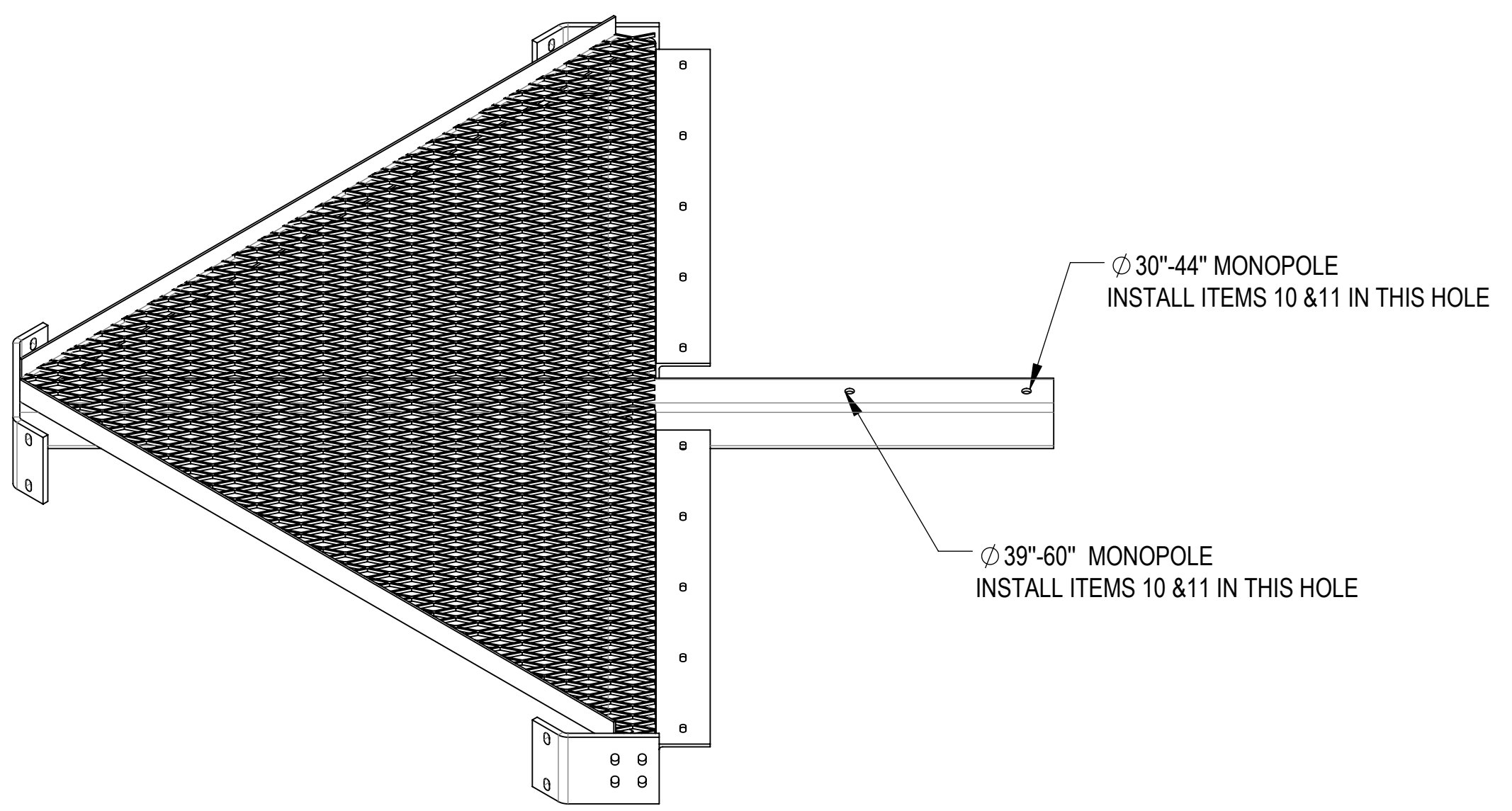
B

A

A



DETAIL E
SCALE 1 : 14



ONLY SHOW T-ARM

COMMSCOPE, INC. OF NORTH CAROLINA				
TITLE 14'-6" 4-SECTOR PLATFORM 30-60 BASE				
SIZE C	SCALE 1:24	DOCUMENT NO. MC-PK14L4-B		
		DRAWING		SHEET
		VERSION	STATUS	REVISION
		01	RE	D
				3 OF 4

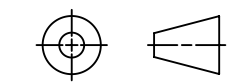
© 2024 CommScope, Inc. Confidential

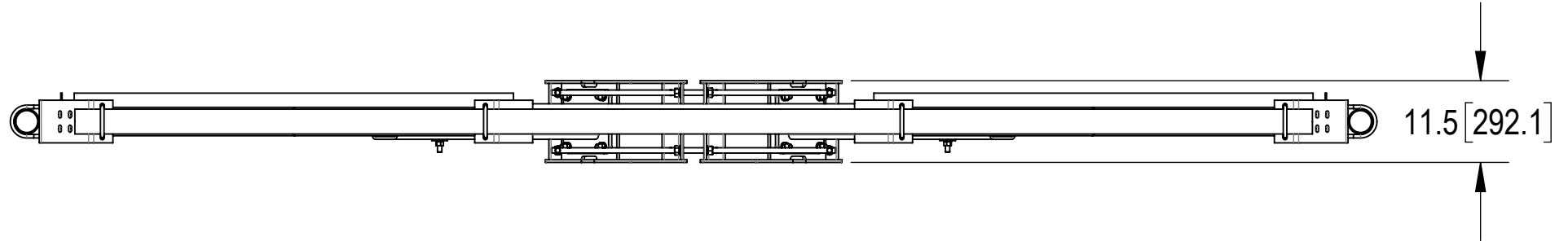
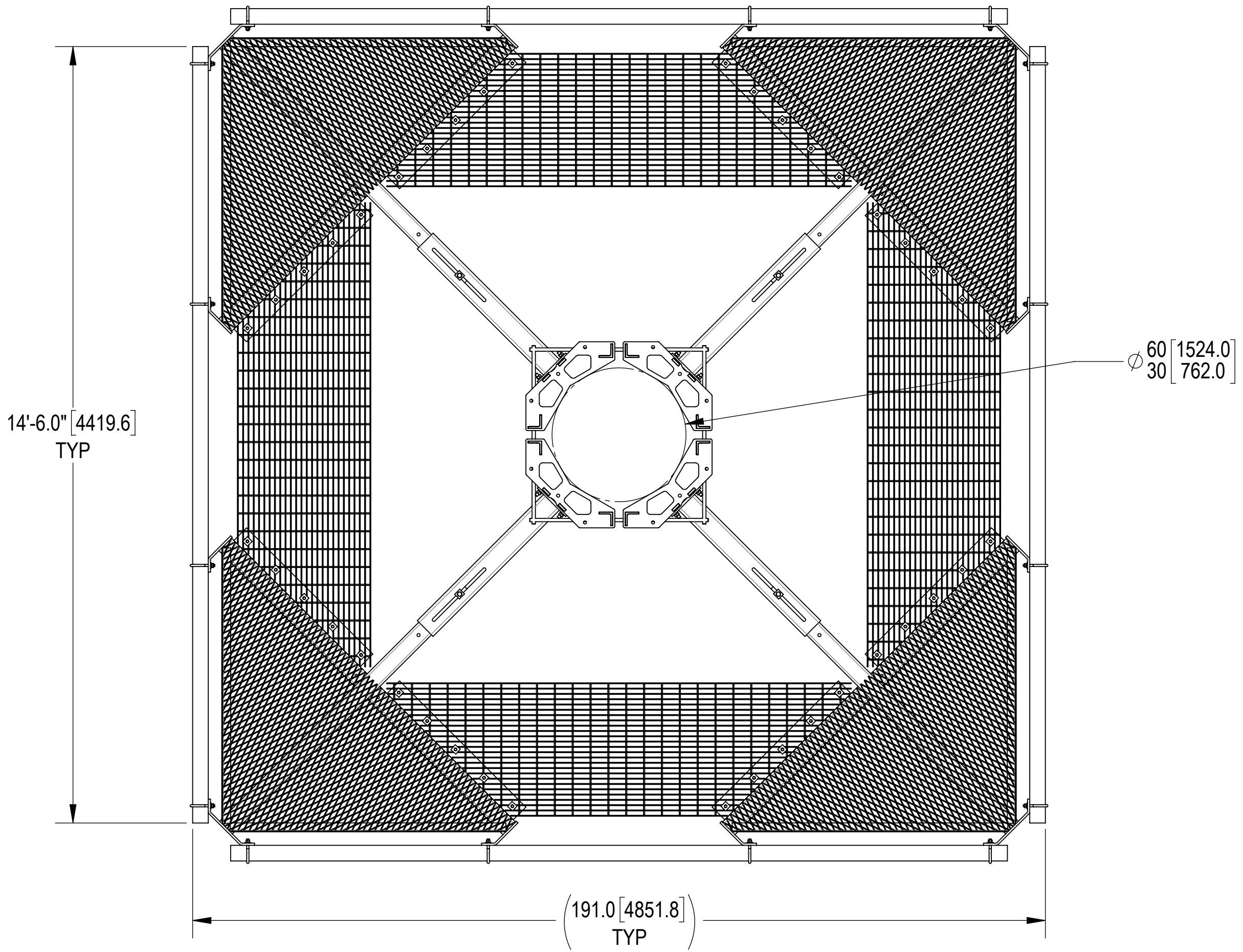
4


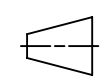
3

2

1





COMMSCOPE, INC. OF NORTH CAROLINA				
TITLE 14'-6" 4-SECTOR PLATFORM 30-60 BASE				
SIZE C	SCALE 1:24	DOCUMENT NO. MC-PK14L4-B		
 		DRAWING		SHEET 4 OF 4
		VERSION 01	STATUS RE	

© 2024 CommScope, Inc. Confidential