

4

3

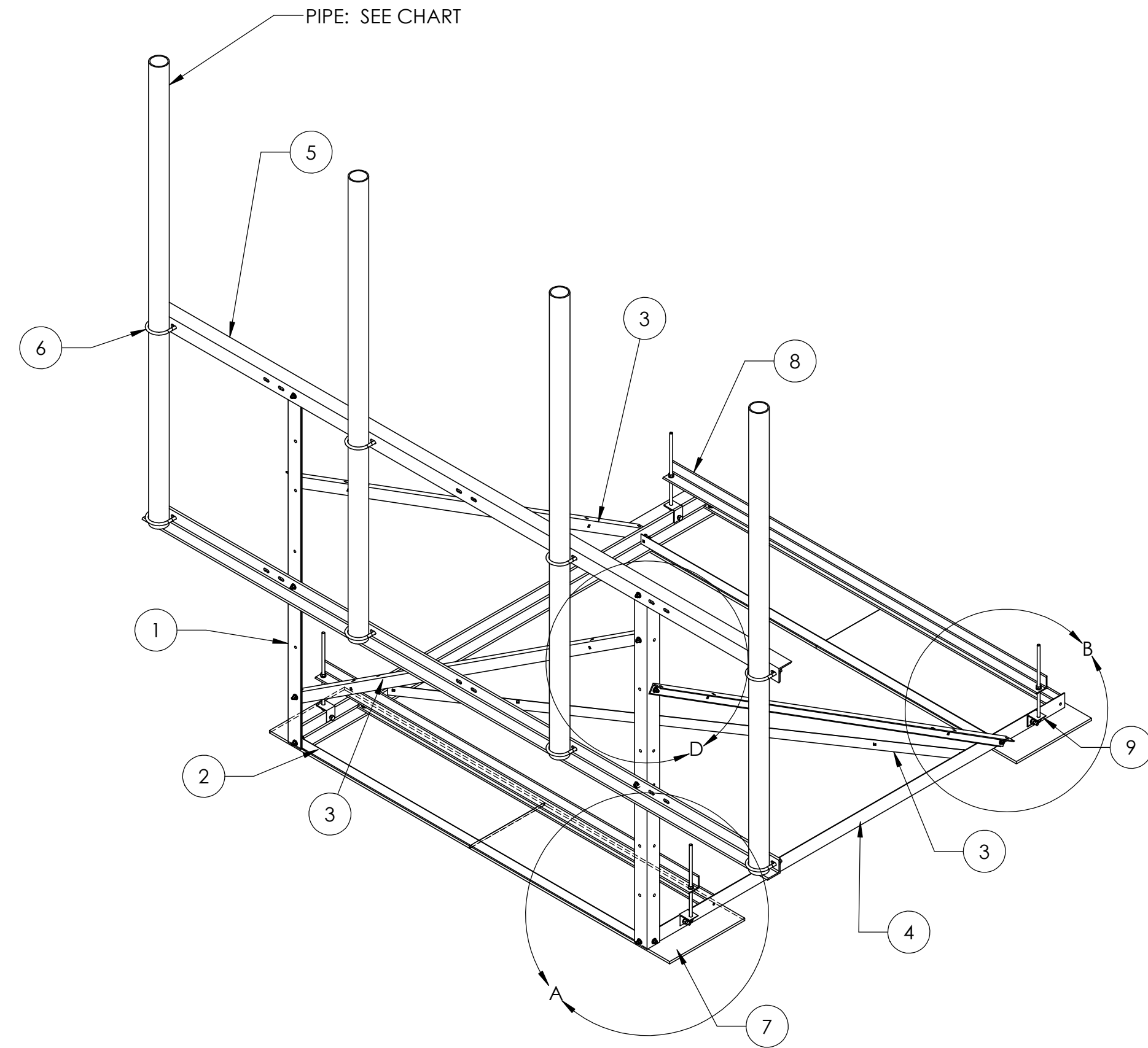
2

1

NOTES:

REVISIONS				
REV.	ZONE	DESCRIPTION	BY	DATE
A	8000015822	INITIAL RELEASE	DRR	08/22/16
B	8000017159	DELETE CARRIAGE BOLTS AND HARDWARE	MSM	11/07/16

ITEM	PART NO.	DESCRIPTION	QTY.	WEIGHT
1	RFNL01	NON-PEN. ROOF MOUNT VERTICAL ANGLE	2	56.34 LBS
2	RFNB02	NON-PEN. ROOF MOUNT BASE ANGLE 2	4	16.70 LBS
3	RFNB03	NON-PEN. ROOF MOUNT BASE ANGLE 3	4	19.84 LBS
4	MTC997807	NON-PEN. ROOF MOUNT BASE ANGLE 7	2	40.03 LBS
5	MTC9978HD1212	NON-PEN. ROOF MOUNT 12' FACE ANGLE	2	59.55 LBS
6	GUB-4355	1/2" X 3-5/8" X 5" GALV U-BOLT	8	0.70 LBS
7	MT-F1637	RUBBER MAT .5" X 18" X 48"	4	15.61 LBS
8	MTC704901	Anti-Theft Bar	2	22.57 LBS
9	MTC8326.01	CLIP ANGLE	4	0.478 LBS
10	MT-379-16	1/2" X 16" GALV THREADED ROD	4	0.88 LBS
11	GWL-04	1/2" GALV LOCK WASHER	8	0.01 LBS
12	GN-04	1/2" GALV HEX NUT	8	0.04 LBS
13	GB-04165	1/2" X 1-3/4" GALV BOLT KIT	4	0.14 LBS
14	GB-03145	3/8" X 1-1/2" GALV BOLT KIT	24	0.07 LBS
15	GWF-03	3/8" GALV FLAT WASHER	24	0.01 LBS



PART NO.	DESCRIPTION	MT54796	MT-547-126	WEIGHT
RF-NL12-B	12' NON-PENETRATING ROOF FRAME FOR Ø 3.5" PIPES	-	-	581.0 LBS
RF-NL12-3-96	12' NON-PENETRATING ROOF FRAME FOR WITH 3X Ø 3.5"X96" PIPES	3	-	761.0 LBS
RF-NL12-3-126	12' NON-PENETRATING ROOF FRAME FOR WITH 3X Ø 3.5"X126" PIPES	4	-	821.0 LBS
RF-NL12-4-96	12' NON-PENETRATING ROOF FRAME FOR WITH 4X Ø 3.5"X96" PIPES	-	3	824.8 LBS
RF-NL12-4-126	12' NON-PENETRATING ROOF FRAME FOR WITH 4X Ø 3.5"X126" PIPES	-	4	906.0 LBS

**COMMSCOPE, INC. OF NORTH CAROLINA**

TOLERANCES		SAP MATERIAL MASTER	
0 PLACE X ± .25	2 PLACE .XX ± .06	<b>RF-NL12 Series</b>	
1 PLACE .X ± .12	ANGLES ± 2°		
FINISH		MATERIAL	
GALV A123		A36, A500	
UNLESS OTHERWISE SPECIFIED DIMENSIONS ARE IN MILLIMETERS INTERPRET PER ISO STANDARDS HANDBOOK TECHNICAL DRAWINGS VOLUMES 1 & 2, THIRD EDITION (2002)	NAME	DATE	TITLE
	CE DRR	08/22/16	<b>Non-Penetrating Roof Frame, 12' Face</b>
	RW		
	RV		
	AD		
RE TP	08/22/16	SCALE	DOCUMENT NO.
ECN 8000015822		<b>1:20</b>	<b>RF-NL12 Series</b>
SIZE	WORK AREA	MODEL	
<b>C</b>		VERSION	DRAWING
		STATUS	REVISION
		VERSION	STATUS
		REVISION	REVISION
			B
			SHEET
			1 OF 5

NOTES:

- ALL METRIC DIMENSIONS ARE IN BRACKETS.
- UP TO 5% ADDITIONAL HARDWARE INCLUDED.

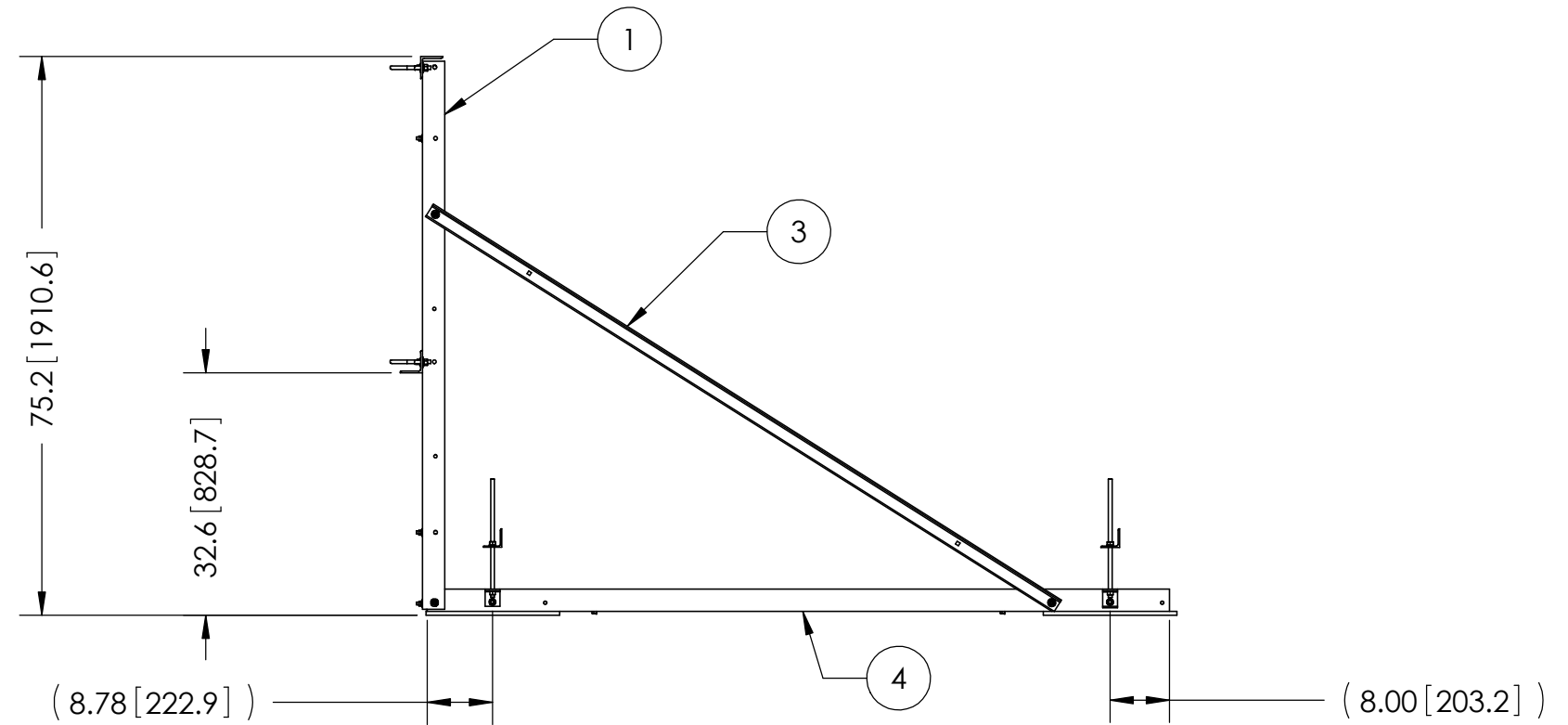
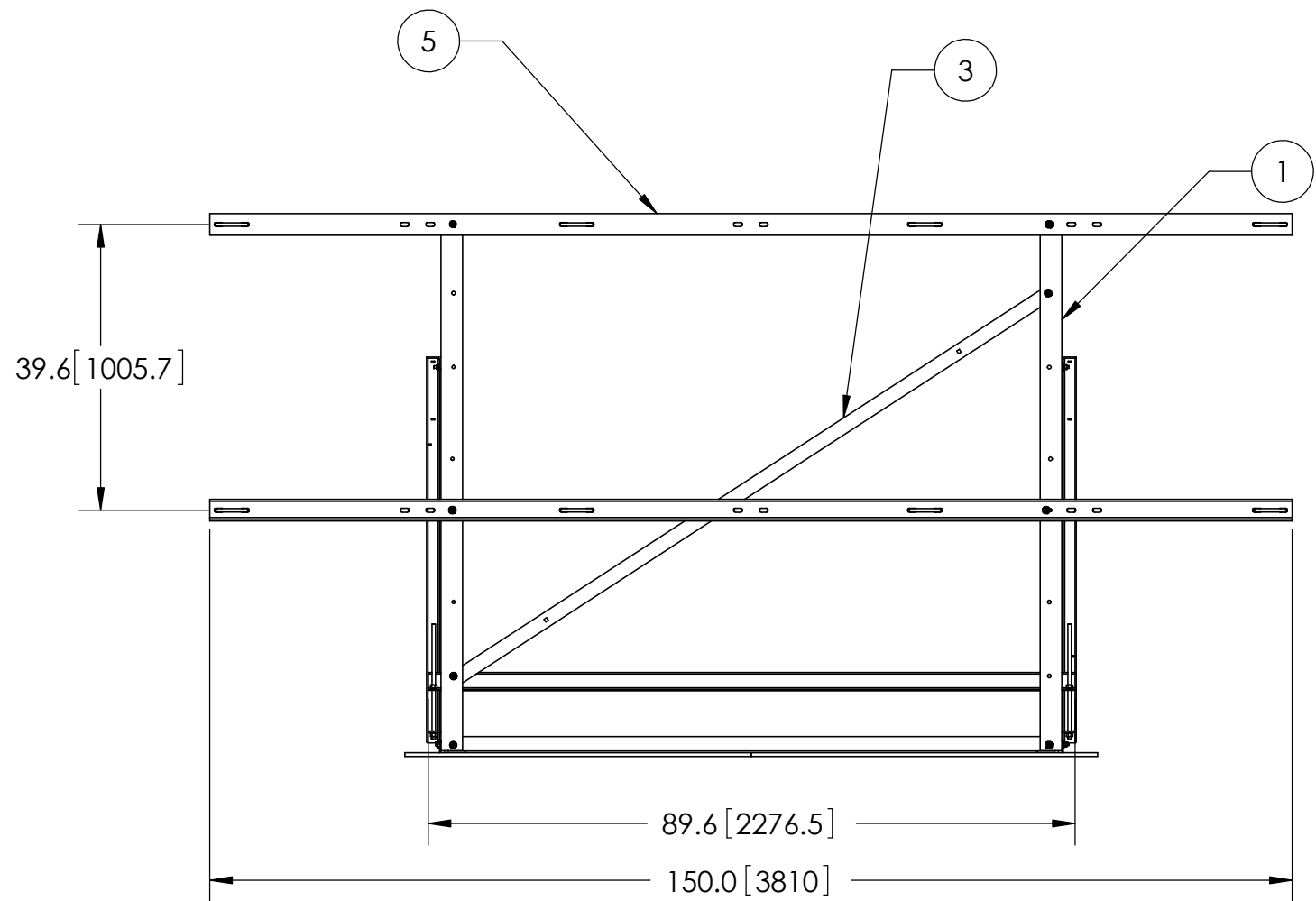
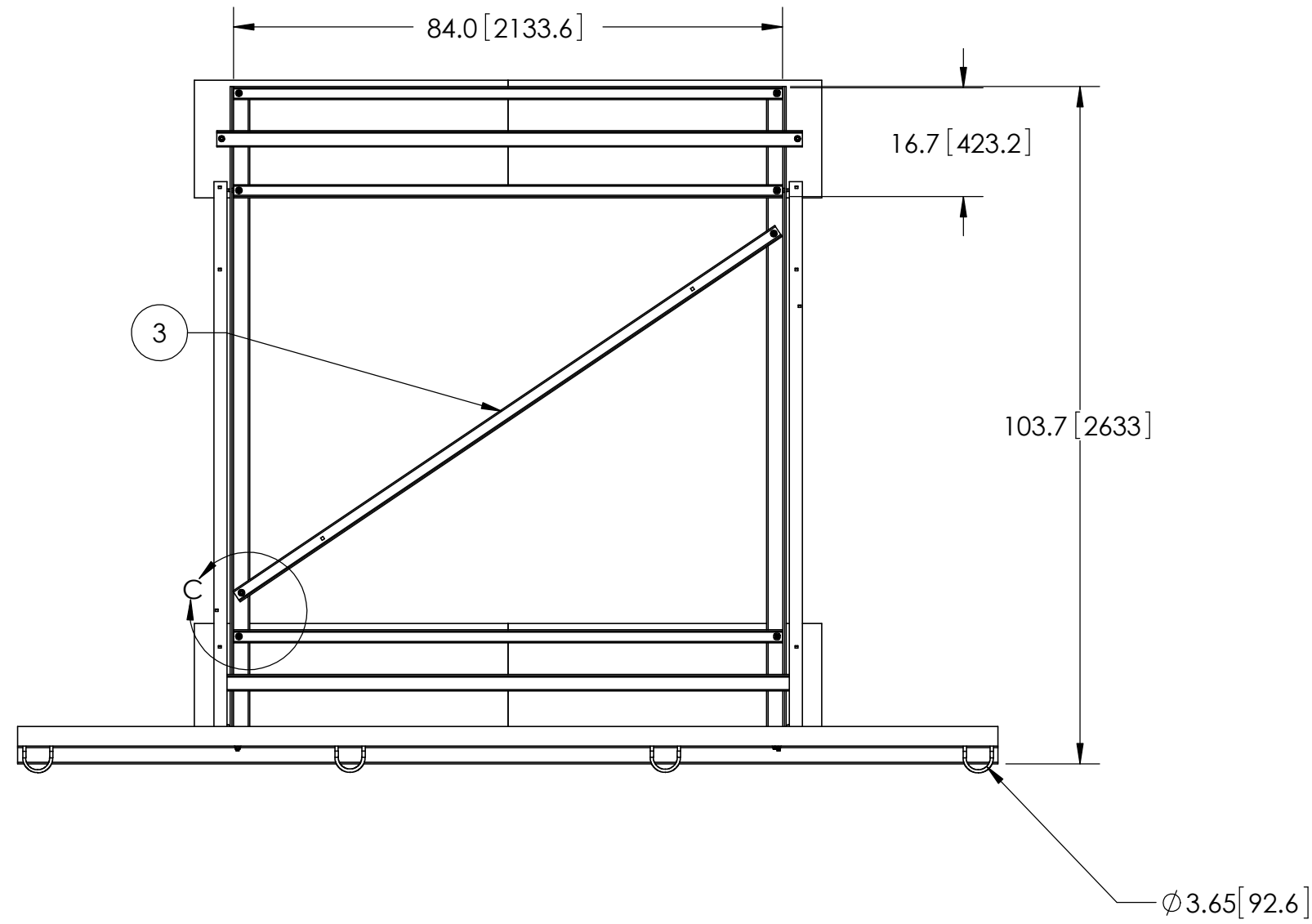
4

3

2

1

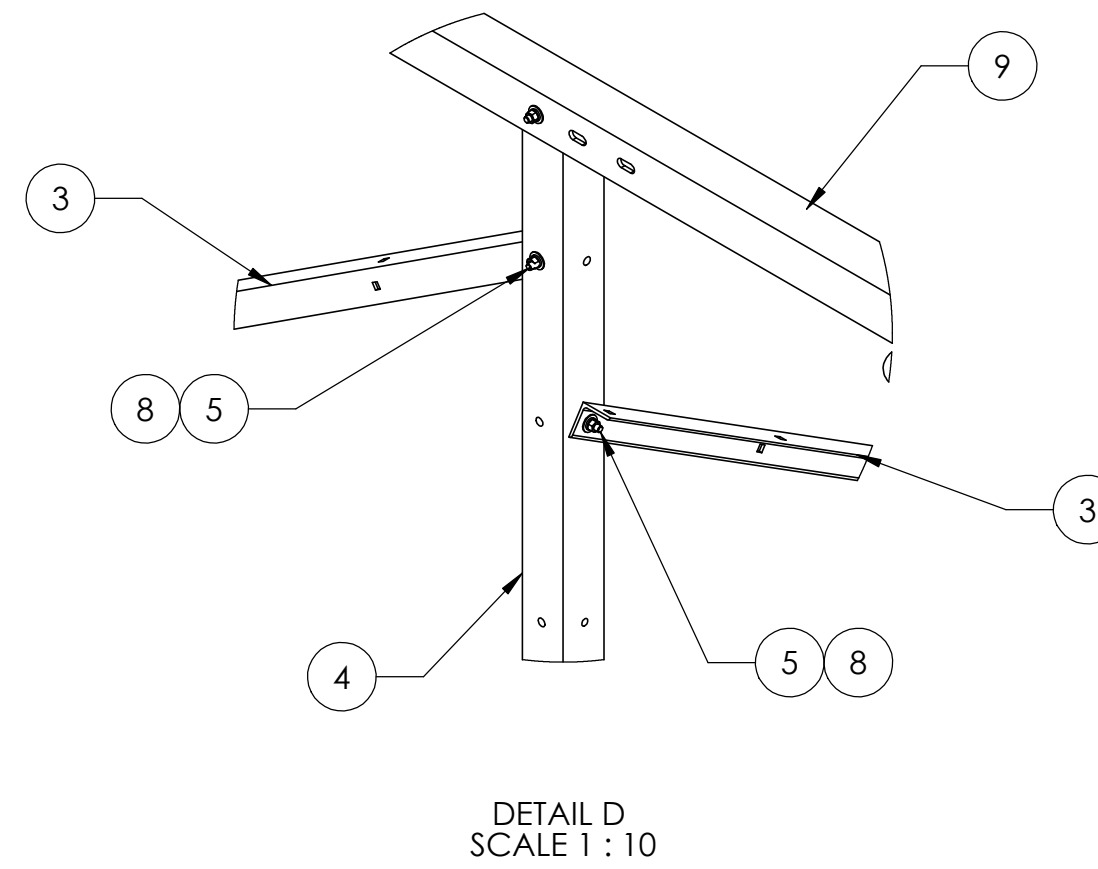
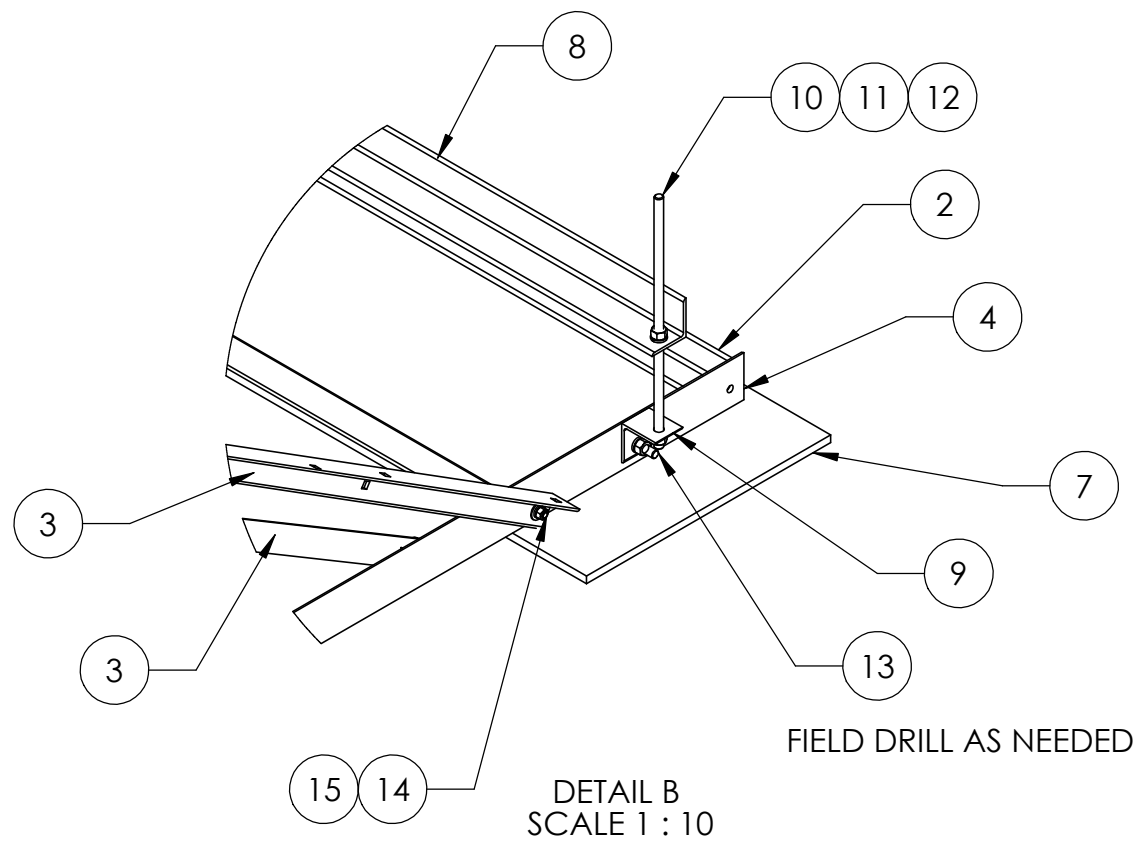
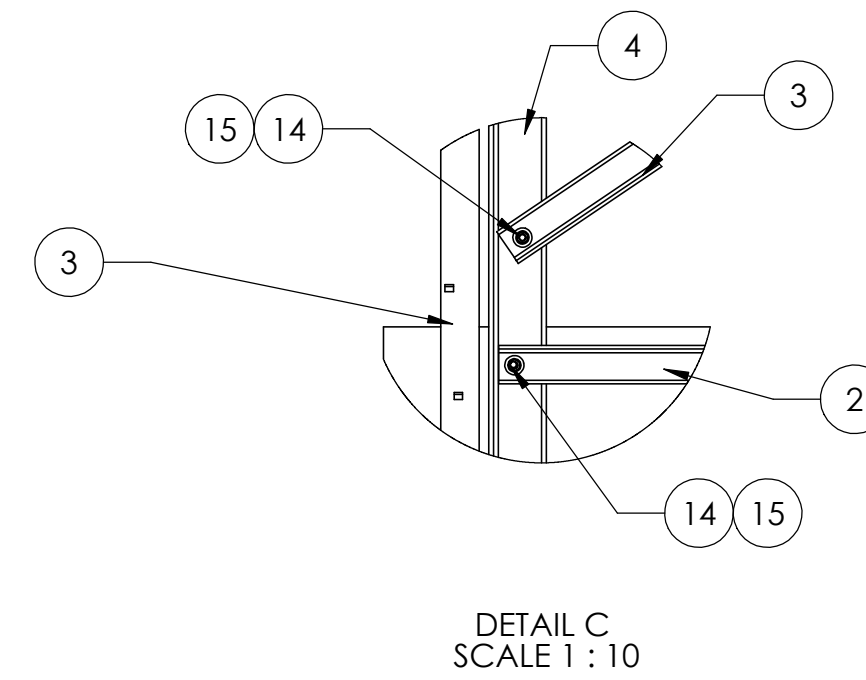
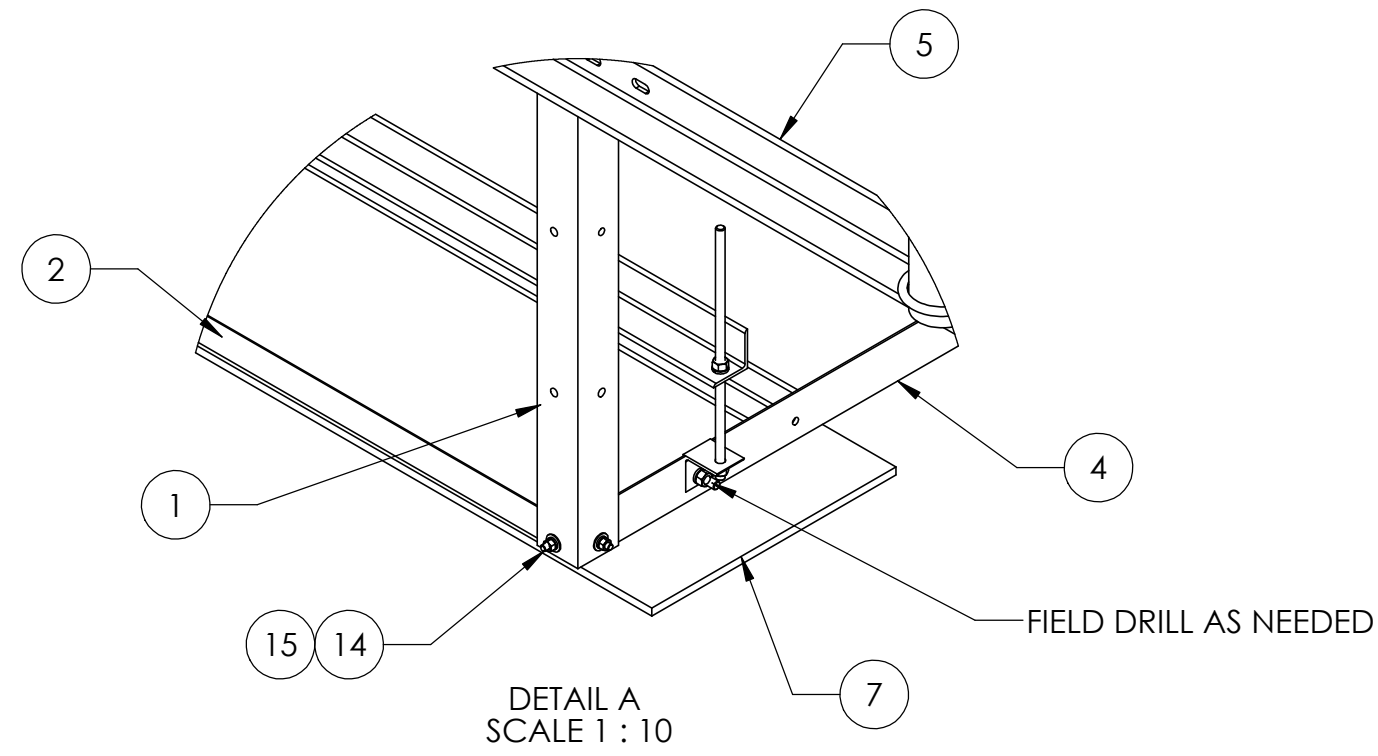
NOTES:



<b>COMMSCOPE, INC. OF NORTH CAROLINA</b>									
TOLERANCES					SAP MATERIAL MASTER				
0 PLACE X ± .25		2 PLACE .XX ± .06			<b>RF-NL12 Series</b>				
1 PLACE .X ± .12		ANGLES ± 2°							
FINISH					MATERIAL				
GALV A123					A36, A500				
UNLESS OTHERWISE SPECIFIED DIMENSIONS ARE IN MILLIMETERS INTERPRET PER ISO STANDARDS HANDBOOK TECHNICAL DRAWINGS VOLUMES 1 & 2, THIRD EDITION (2002)	CE	NAME	DATE	<b>Non-Penetrating Roof Frame, 12' Face</b>					
	RW	DRR	08/22/16						
	RV			SCALE		DOCUMENT NO.			
	AD			1:24		RF-NL12 Series			
	RE	TP	08/22/16	ECN 8000015822					
SIZE	WORK AREA	MODEL		DRAWING			SHEET		
C		VERSION	STATUS	REVISION	VERSION	STATUS	REVISION	2 OF 5	

DENSITY		lbs/in <sup>3</sup>
MASS	822.20	lbs
VOLUME		in <sup>3</sup>
SURFACE AREA		in <sup>2</sup>
HEIGHT		
LENGTH		
WIDTH		

NOTES:



COMMScope, INC. OF NORTH CAROLINA

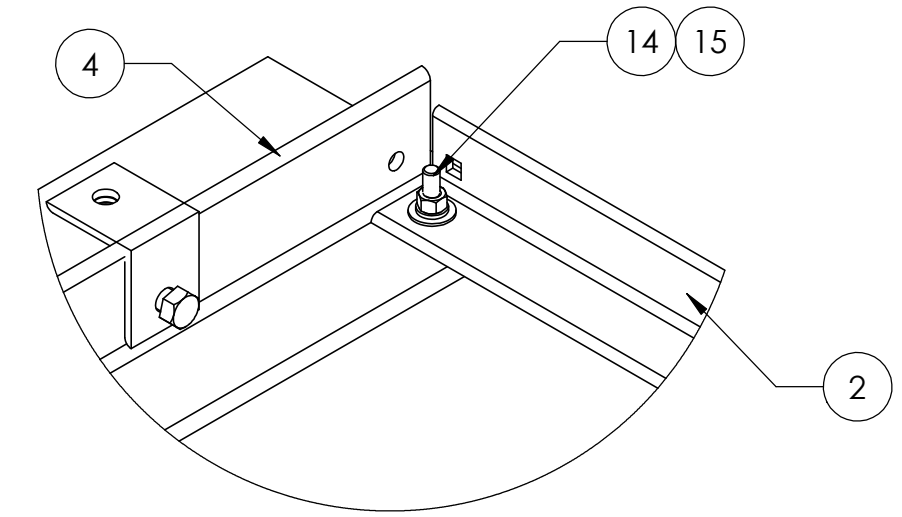
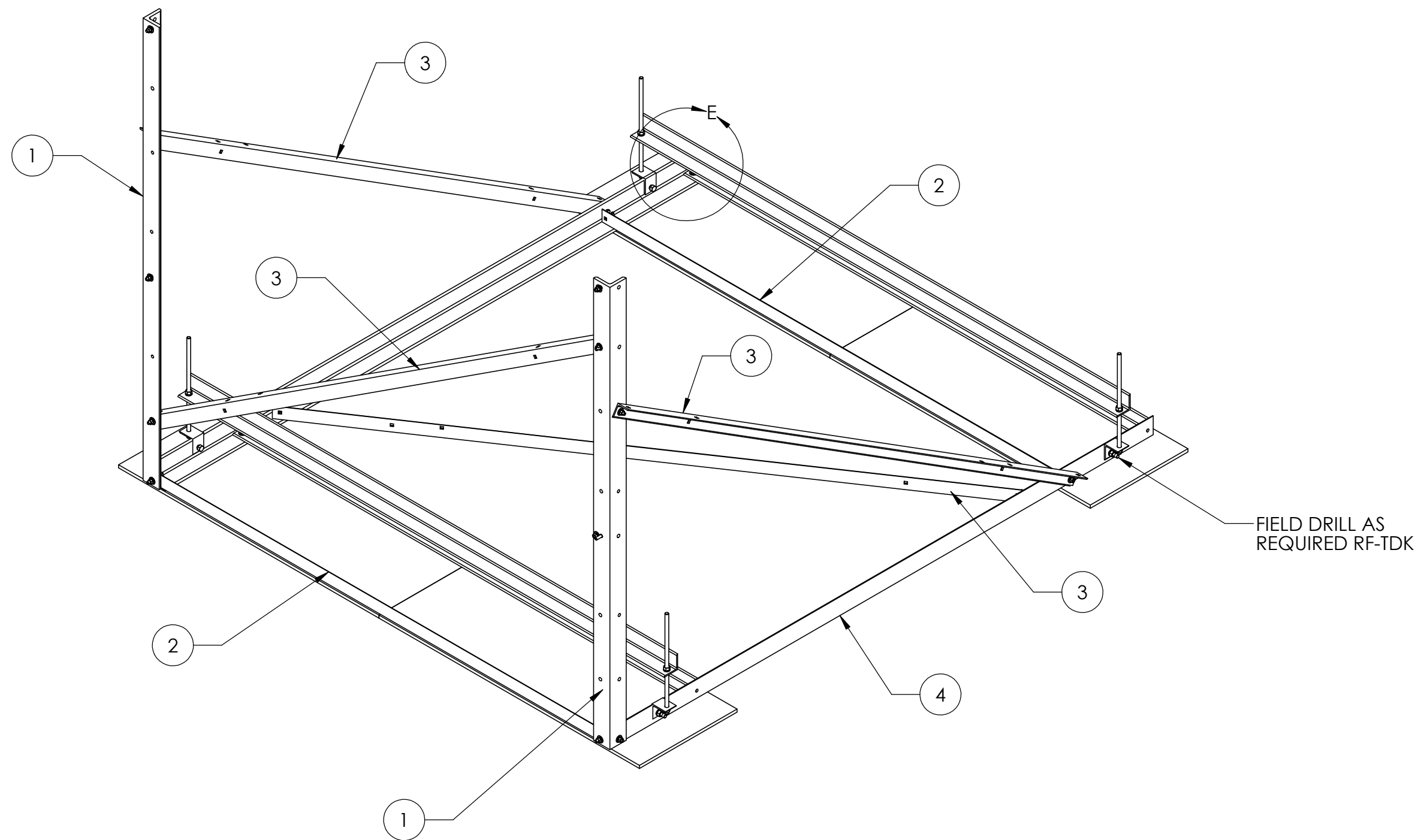
TOLERANCES		SAP MATERIAL MASTER	
0 PLACE	X ± .25	2 PLACE	.XX ± .06
1 PLACE	.X ± .12	ANGLES	± 2°
FINISH		MATERIAL	
GALV A123		A36, A500	

UNLESS OTHERWISE SPECIFIED DIMENSIONS ARE IN MILLIMETERS INTERPRET PER ISO STANDARDS HANDBOOK TECHNICAL DRAWINGS VOLUMES 1 & 2, THIRD EDITION (2002)	CE	NAME	DATE	TITLE
	RW	DRR	08/22/16	<b>Non-Penetrating Roof Frame, 12' Face</b>
	RV			
	AD			
	RE	TP	08/22/16	
ECN	8000015822		SCALE	DOCUMENT NO.
			<b>1:32</b>	<b>RF-NL12 Series</b>

DENSITY		lbs/in <sup>3</sup>
MASS	822.20	lbs
VOLUME		in <sup>3</sup>
SURFACE AREA		in <sup>2</sup>
HEIGHT		
LENGTH		
WIDTH		

SIZE	WORK AREA	MODEL			DRAWING			SHEET 3 OF 5
<b>C</b>		VERSION	STATUS	REVISION	VERSION	STATUS	REVISION	
							B	

NOTES:



DETAIL E  
SCALE 1 : 4

COMMSCOPE, INC. OF NORTH CAROLINA

TOLERANCES		SAP MATERIAL MASTER					
0 PLACE X ± .25	2 PLACE .XX ± .06	<b>RF-NL12 Series</b>					
1 PLACE .X ± .12	ANGLES ± 2°						
FINISH		MATERIAL					
GALV A123		A36, A500					
UNLESS OTHERWISE SPECIFIED DIMENSIONS ARE IN MILLIMETERS INTERPRET PER ISO STANDARDS HANDBOOK TECHNICAL DRAWINGS VOLUMES 1 & 2, THIRD EDITION (2002)	NAME	DATE	TITLE				
	CE DRR	08/22/16	<b>Non-Penetrating Roof Frame, 12' Face</b>				
	RW						
	RV						
	AD						
RE TP	08/22/16	SCALE	DOCUMENT NO.				
ECN 8000015822		<b>1:15</b>	<b>RF-NL12 Series</b>				
SIZE	WORK AREA	MODEL		DRAWING		SHEET 4 OF 5	
<b>C</b>		VERSION	STATUS	REVISION	VERSION		STATUS
							B

DENSITY		lbs/in <sup>3</sup>
MASS	822.20	lbs
VOLUME		in <sup>3</sup>
SURFACE AREA		in <sup>2</sup>
HEIGHT		
LENGTH		
WIDTH		

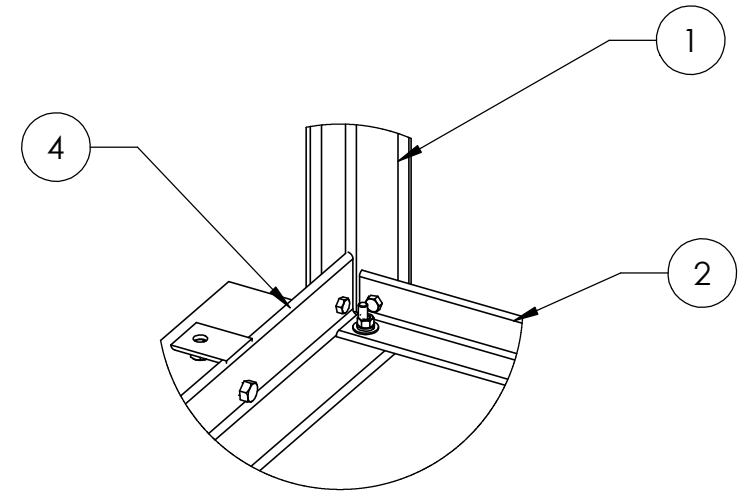
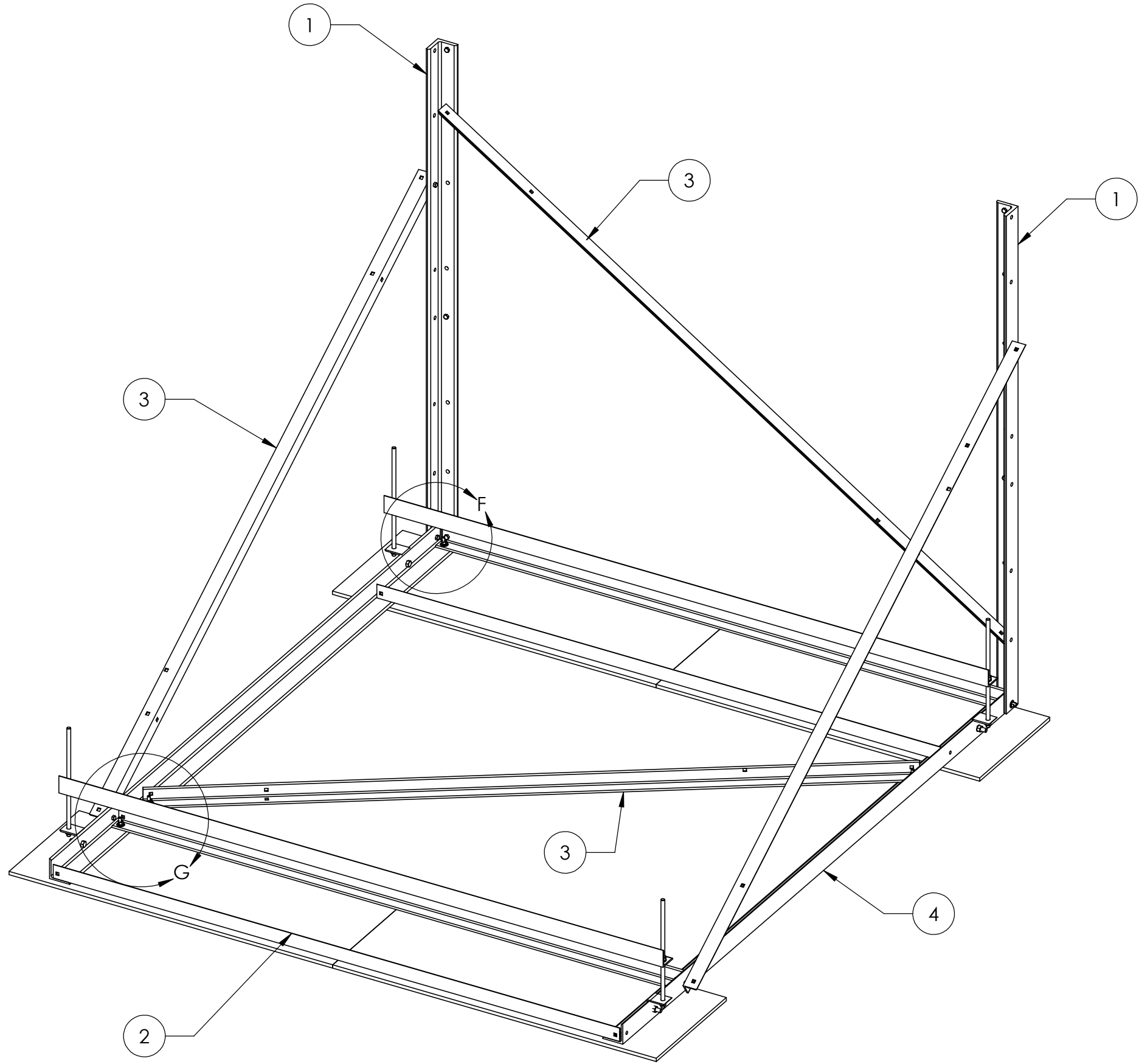
4

3

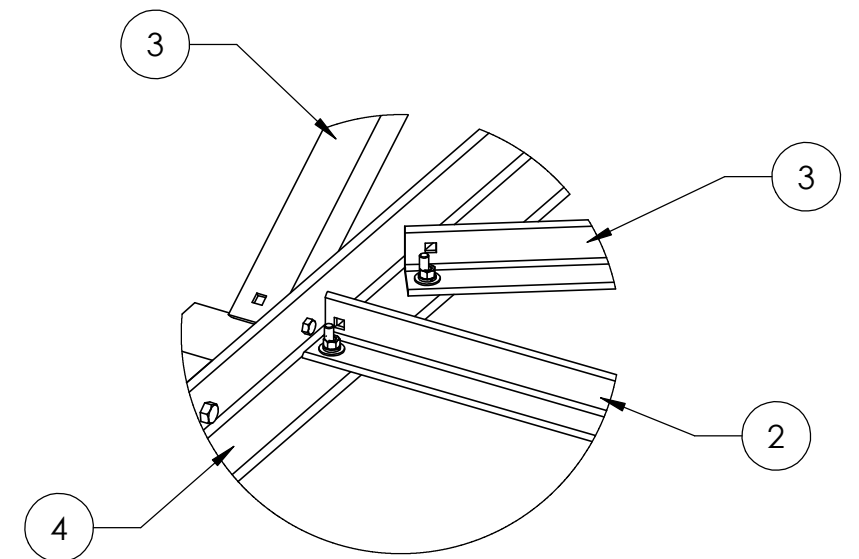
2

1

NOTES:



DETAIL F  
SCALE 2 : 15



DETAIL G  
SCALE 2 : 15

<b>COMMSCOPE, INC. OF NORTH CAROLINA</b>									
TOLERANCES					SAP MATERIAL MASTER				
0 PLACE X ± .25		2 PLACE .XX ± .06			<b>RF-NL12 Series</b>				
1 PLACE .X ± .12		ANGLES ± 2°							
FINISH GALV A123					MATERIAL A36, A500				
UNLESS OTHERWISE SPECIFIED DIMENSIONS ARE IN MILLIMETERS INTERPRET PER ISO STANDARDS HANDBOOK TECHNICAL DRAWINGS VOLUMES 1 & 2, THIRD EDITION (2002)	CE	NAME	DATE	<b>Non-Penetrating Roof Frame, 12' Face</b>					
	RW	DRR	08/22/16						
	RV			SCALE <b>1:15</b>		DOCUMENT NO. <b>RF-NL12 Series</b>			
	AD								
	RE	TP	08/22/16	ECN 8000015822					
ECN	8000015822								
SIZE	WORK AREA	MODEL		DRAWING			SHEET 5 OF 5		
<b>C</b>		VERSION	STATUS	REVISION	VERSION	STATUS		REVISION	
							B		

DENSITY		lbs/in <sup>3</sup>
MASS	822.20	lbs
VOLUME		in <sup>3</sup>
SURFACE AREA		in <sup>2</sup>
HEIGHT		
LENGTH		
WIDTH		

4

3

2

1