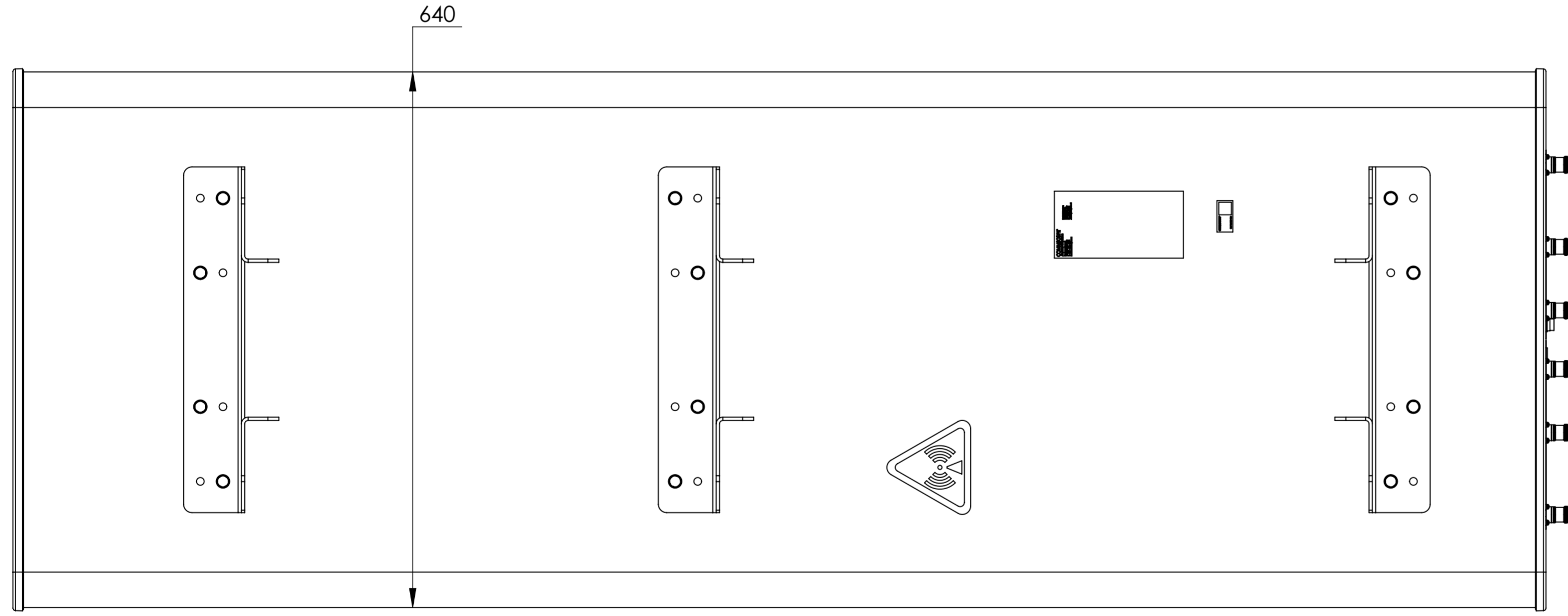
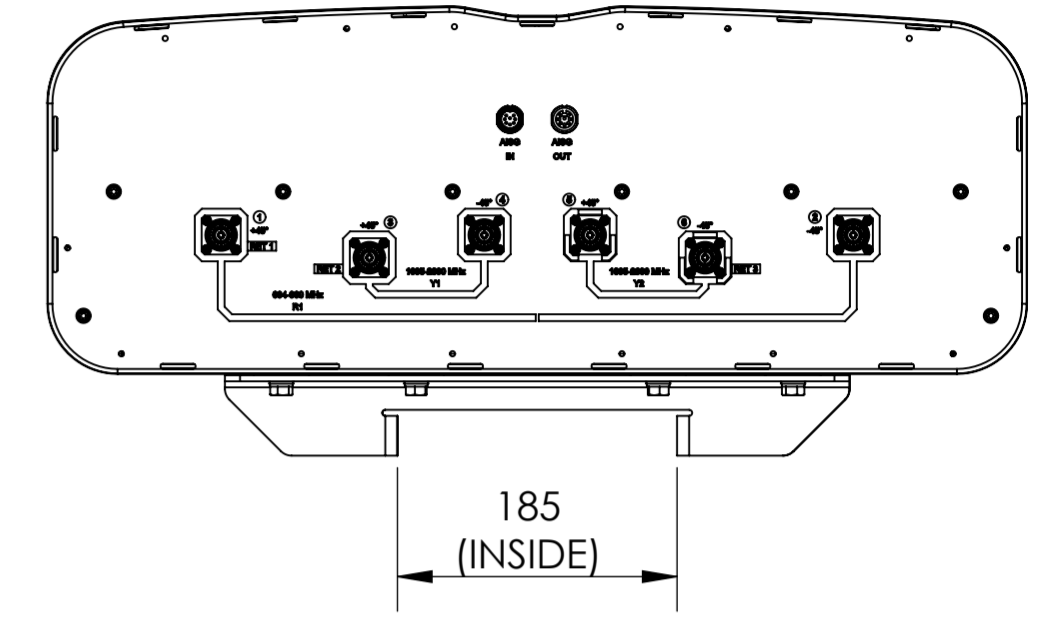
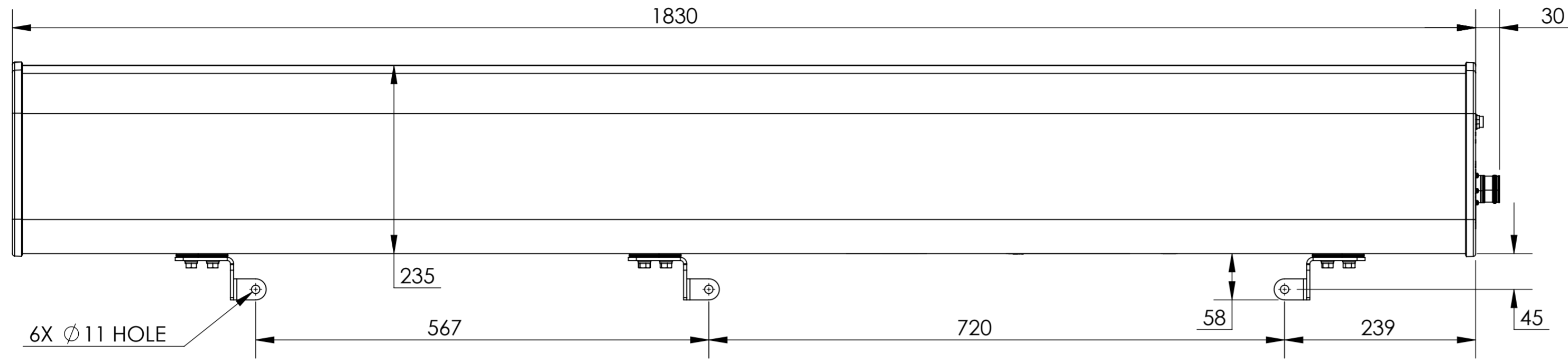


NOTES:

REVISIONS			
REV.	DESCRIPTION	DATE	APPROVED
A	ECR 8000012236: RELEASE TO PRODUCTION PER EAO 603182 .	7/28/16 SXH	DM.WANG/HHCHEN
B	ECR 8000017500: EXCHANGE "IN" AND "OUT" MARK OF AISG ON ENDCAP.	29NOV16 ZLL	S.LIU/JIHE



RVV-33B-R3

COMMSCOPE, INC. OF NORTH CAROLINA												
TOLERANCES						SAP MATERIAL MASTER						
0 PLACE X ±			2 PLACE .XX ±			1 PLACE .X ±			ANGLES ±			
FINISH						MATERIAL						
PRODUCT DRAWING												
ECN 8000017500-O												
SCALE 1:5 DOCUMENT NO. RVV-33B-R3-L												
SIZE A2			WORK AREA 23			MODEL			DRAWING			SHEET
						VERSION 03			REVISION RE			1 OF 1

DENSITY	g/mm ³
MASS	grams
VOLUME	mm ³
SURFACE AREA	mm ²
HEIGHT	
LENGTH	
WIDTH	

© 2016 CommScope, Inc.