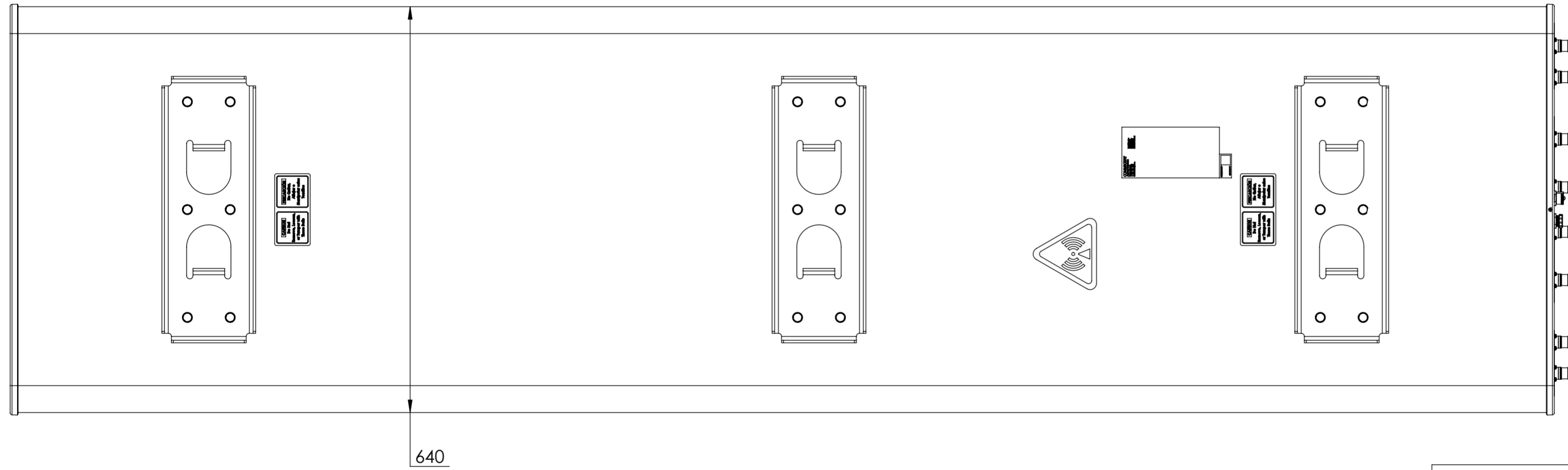
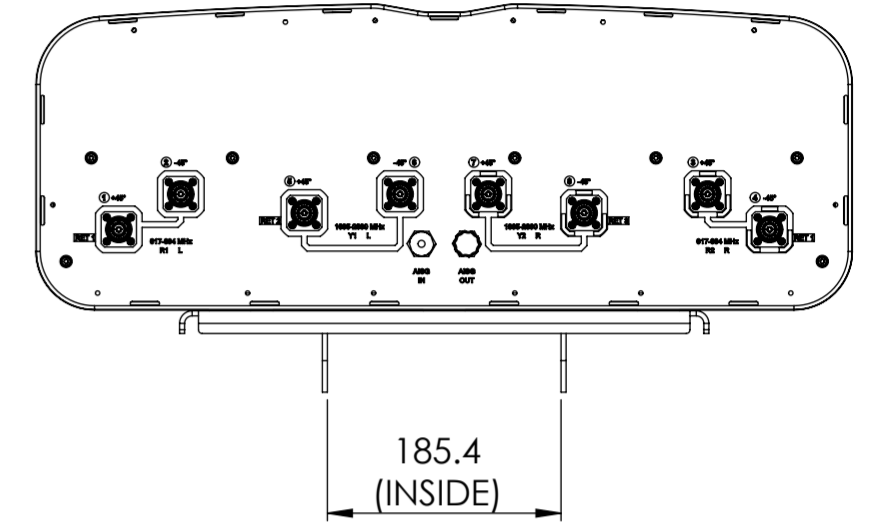
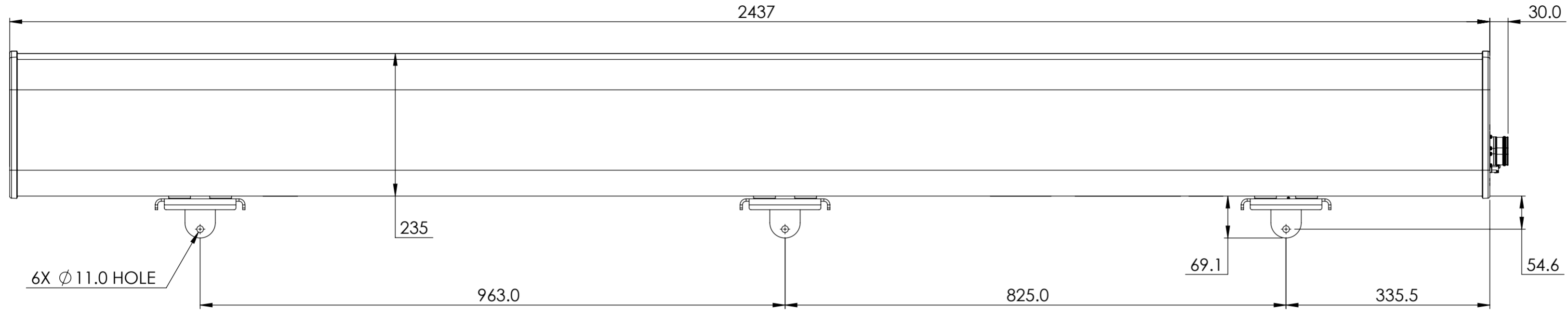


NOTES:

REVISIONS			
REV.	DESCRIPTION	DATE	APPROVED
A	ECR 8000037514: RELEASE TO PRODUCTION PER EAO 607145.	17OCT19 QF	CHF/YWQ
B	ECR 10580PC: UPDATE DRAWING.	02MAR21 HLI	PL.TANG / HANSEN.W



FFVV-65C-R3-V1

COMMScope, INC. OF NORTH CAROLINA

TOLERANCES		SAP MATERIAL MASTER
0 PLACE X ±	2 PLACE .XX ±	
1 PLACE .X ±	ANGLES ±	

FINISH	MATERIAL
--------	----------

UNLESS OTHERWISE SPECIFIED DIMENSIONS ARE IN MILLIMETERS INTERPRET PER ISO STANDARDS HANDBOOK 1 TECHNICAL DRAWINGS VOLUMES 1 & 2, THIRD EDITION (2002)	NAME	DATE	TITLE
	CE QW1004	10/17/2019	PRODUCT DRAWING
	RW HLI2	03/03/2021	
	RV HC1060	11/14/2019	
	AD PLTANG	03/08/2021	
RE ZHHCHEN	03/08/2021		
ECN 10580PC	SCALE 1:6	DOCUMENT NO. FFVV-65C-R3-V1-L	

DENSITY	g/mm <sup>3</sup>
MASS	grams
VOLUME	mm <sup>3</sup>
SURFACE AREA	mm <sup>2</sup>
HEIGHT	
LENGTH	
WIDTH	

SIZE	WORK AREA	BSA	MODEL	DRAWING			SHEET		
A2			VERSION	STATUS	REVISION	VERSION	STATUS	REVISION	1 OF 1
			05	RE	F	01	RE	B	