

NOTES:

1.0 GENERAL

- 1.1 ALL METRIC DIMENSIONS ARE IN BRACKETS
- 1.2 MARK PART WITH IDENTIFICATION NUMBER
- 1.3 FOR PATENT INFO: <https://www.cs-pat.com>

2.0 DESIGN NOTES

3.0 MANUFACTURING/SPECIAL REQUIREMENTS

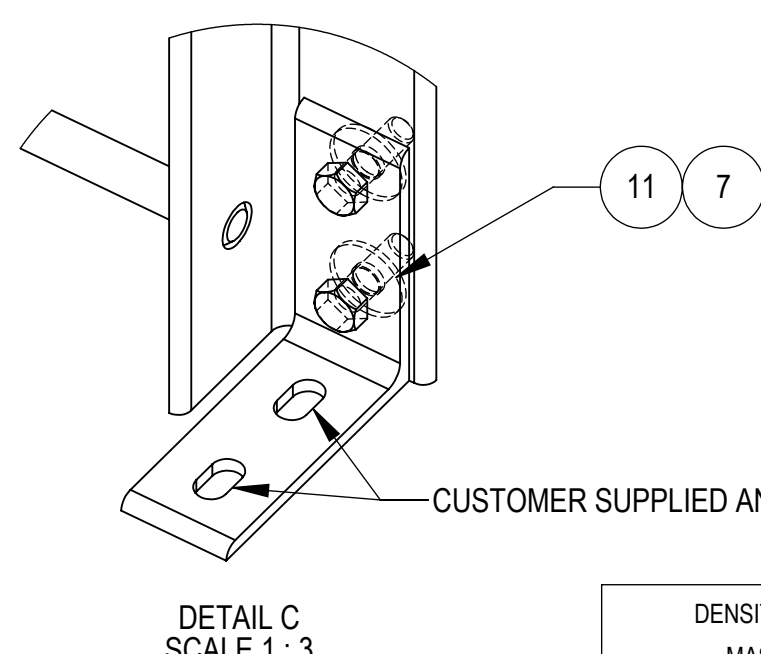
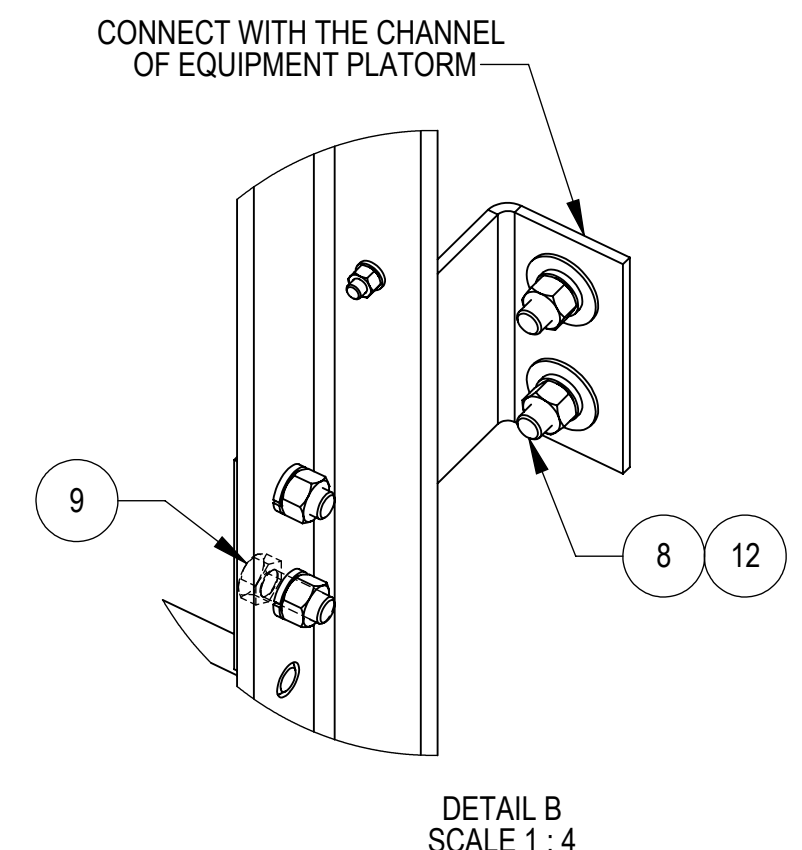
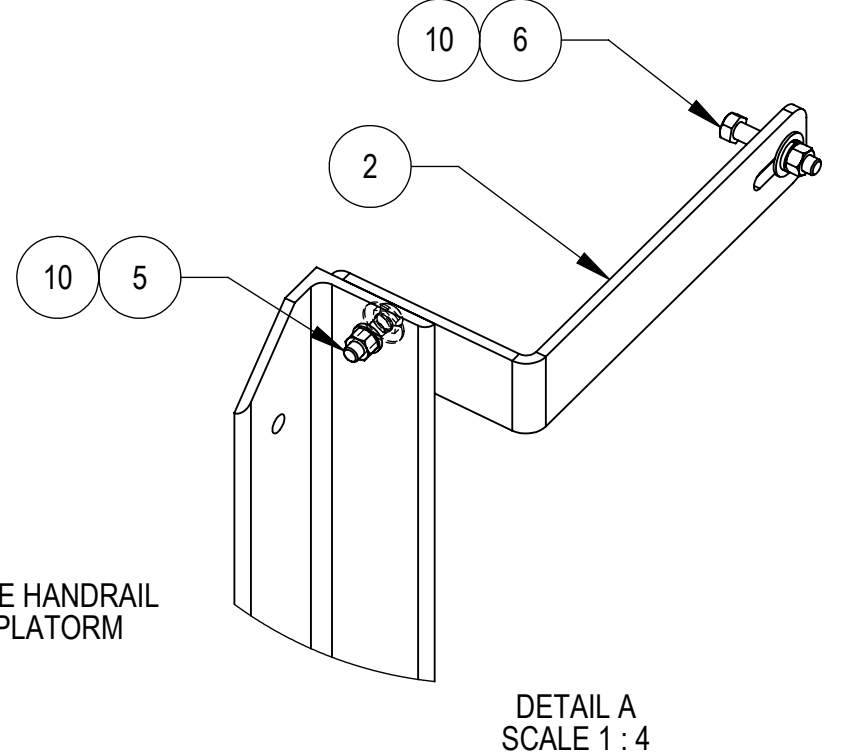
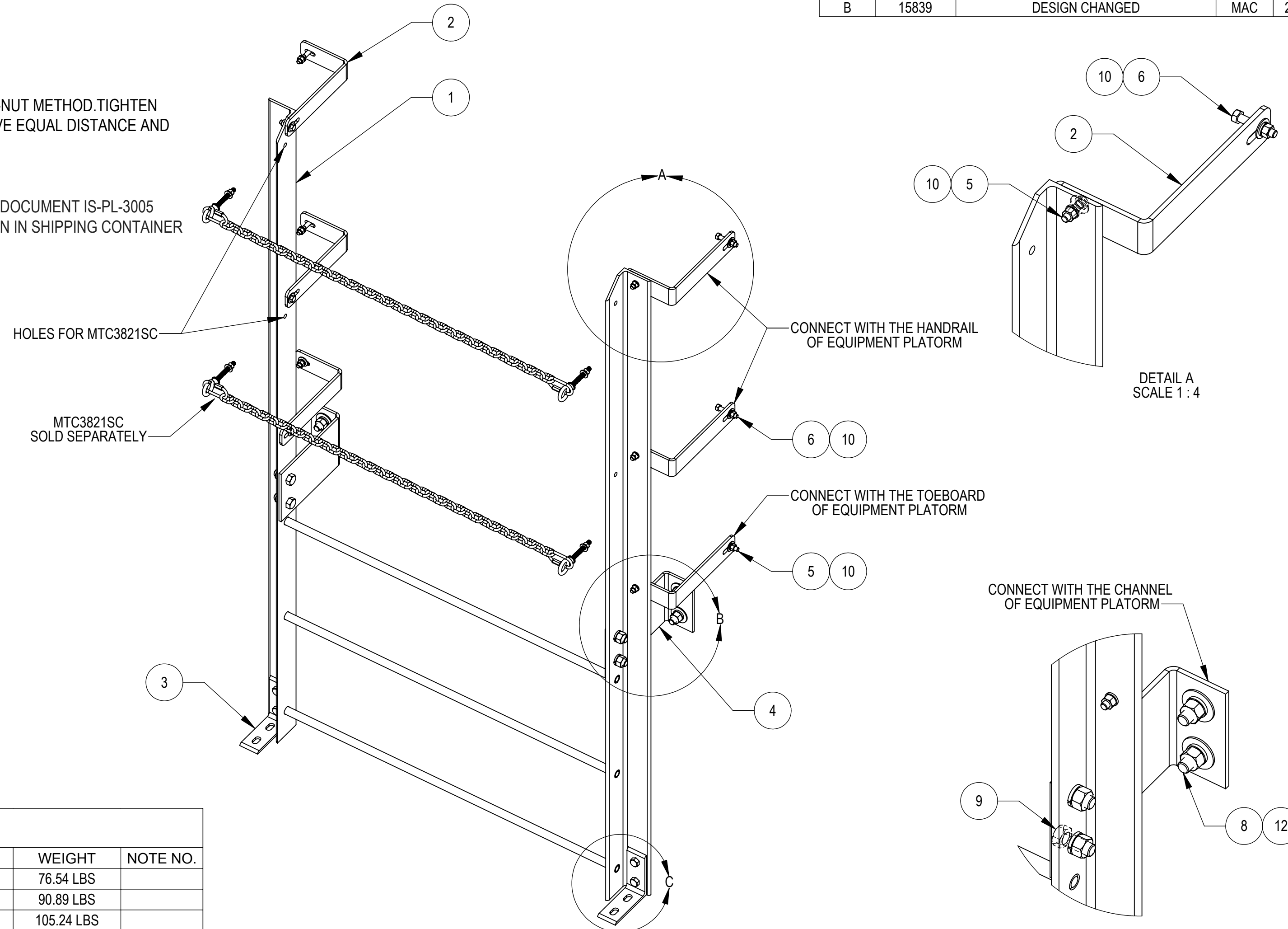
- 3.1 TIGHTEN ALL BOLTS SECURING FLAT PLATES BY THE TURN-OF-NUT METHOD. TIGHTEN ALL U-BOLTS USING TURN-OF-NUT METHOD WITH ATTENTION TO LEAVE EQUAL DISTANCE AND EQUAL FORCE ON EACH LEG OF THE U-BOLT.

4.0 TEST

5.0 PACKAGING

- 5.1 PACKAGING SHALL MEET COMMSCOPE REQUIREMENTS PER DOCUMENT IS-PL-3005
- 5.2 PRINTED DOCUMENT TO BE PLACED INSIDE POLYBAG AND THEN IN SHIPPING CONTAINER
- 5.3 EXTRA HARDWARE MAYBE SUPPLIED BAGGED AND SHIPPED

REVISIONS				
REV.	ECN	DESCRIPTION	BY	DATE
A	15839	INITIAL RELEASE	MAC	2021/11/17
B	15839	DESIGN CHANGED	MAC	2022/3/11



EQUIPMENT LADDER SERIES TABLE 1

TOP MID	PART NO.	DESCRIPTION	QTY.	WEIGHT	NOTE NO.
EQ-LD3	EQPLD-1000	WELDMENT, LADDER	1	76.54 LBS	
EQ-LD4	EQPLD-2000	WELDMENT, LADDER	1	90.89 LBS	
EQ-LD5	EQPLD-3000	WELDMENT, LADDER	1	105.24 LBS	
EQ-LD6	EQPLD-4000	WELDMENT, LADDER	1	119.59 LBS	
EQ-LD7	EQPLD-5000	WELDMENT, LADDER	1	133.94 LBS	
EQ-LD8	EQPLD-6000	WELDMENT, LADDER	1	148.29 LBS	
EQ-LD9	EQPLD-7000	WELDMENT, LADDER	1	162.64 LBS	
EQ-LD10	EQPLD-8000	WELDMENT, LADDER	1	176.99 LBS	

BOM IS FOR REFERENCE ONLY, PART NUMBER SUBSTITUTIONS MAY BE MADE

ITEM	PART NO.	DESCRIPTION	QTY.	WEIGHT	NOTE NO.
1	SEE TABLE 1	WELDMENT, LADDER	1	-	
2	EQP-1000	HANDRAIL SPACE	6	2.01 LBS	
3	EQP-3000	ANGLE, LADDER	2	1.28 LBS	
4	EQP-5000	ANGLED BRACKET	2	5.2165 LBS	
5	GB-03125	3/8" X 1-1/4" GALV BOLT KIT	8	0.06 LBS	
6	GB-03205	3/8" X 2" GALV BOLT KIT	4	0.08 LBS	
7	GB-04145	1/2" X 1-1/2" GALV BOLT KIT	4	0.13 LBS	
8	GB-05205	5/8" X 2" GALV BOLT KIT	4	0.26 LBS	
9	GB-05145	5/8" X 1-1/2" GALV BOLT KIT	4	0.22 LBS	
10	GWF-03	3/8" GALV FLAT WASHER	12	0.01 LBS	
11	GWF-04	1/2" GALV FLAT WASHER	4	0.04 LBS	
12	GWF-05	5/8" GALV FLAT WASHER, 1.70D	8	0.06 LBS	

DENSITY	lbs/in ³
MASS	lbs
VOLUME	in ³
SURFACE AREA	in ²
HEIGHT	
LENGTH	
WIDTH	

COMMSCOPE, INC. OF NORTH CAROLINA

TOLERANCES: 1 PLACE .X ± 0.25, 2 PLACE .XX ± 0.12, 3 PLACE .XXX ± 0.06, ANGLES ± 2°

SAP MATERIAL MASTER: EQ-LD SERIES

FINISH: GALV A123, MATERIAL: SEE BOM

NAME	DATE	TITLE
CE MAC	11/17/2021	EQUIPMENT, LADDER SERIES
RW MM1298	03/16/2022	
AD BA1025	03/16/2022	
RE MM1298	03/16/2022	

ECN 15839PC

SCALE: 1:8, DOCUMENT NO.: EQ-LD SERIES

SIZE	Auth Group	INSL	MODEL	DRAWING			SHEET		
C			VERSION 02	STATUS RE	REVISION B	VERSION 01	STATUS RE	REVISION B	1 OF 2

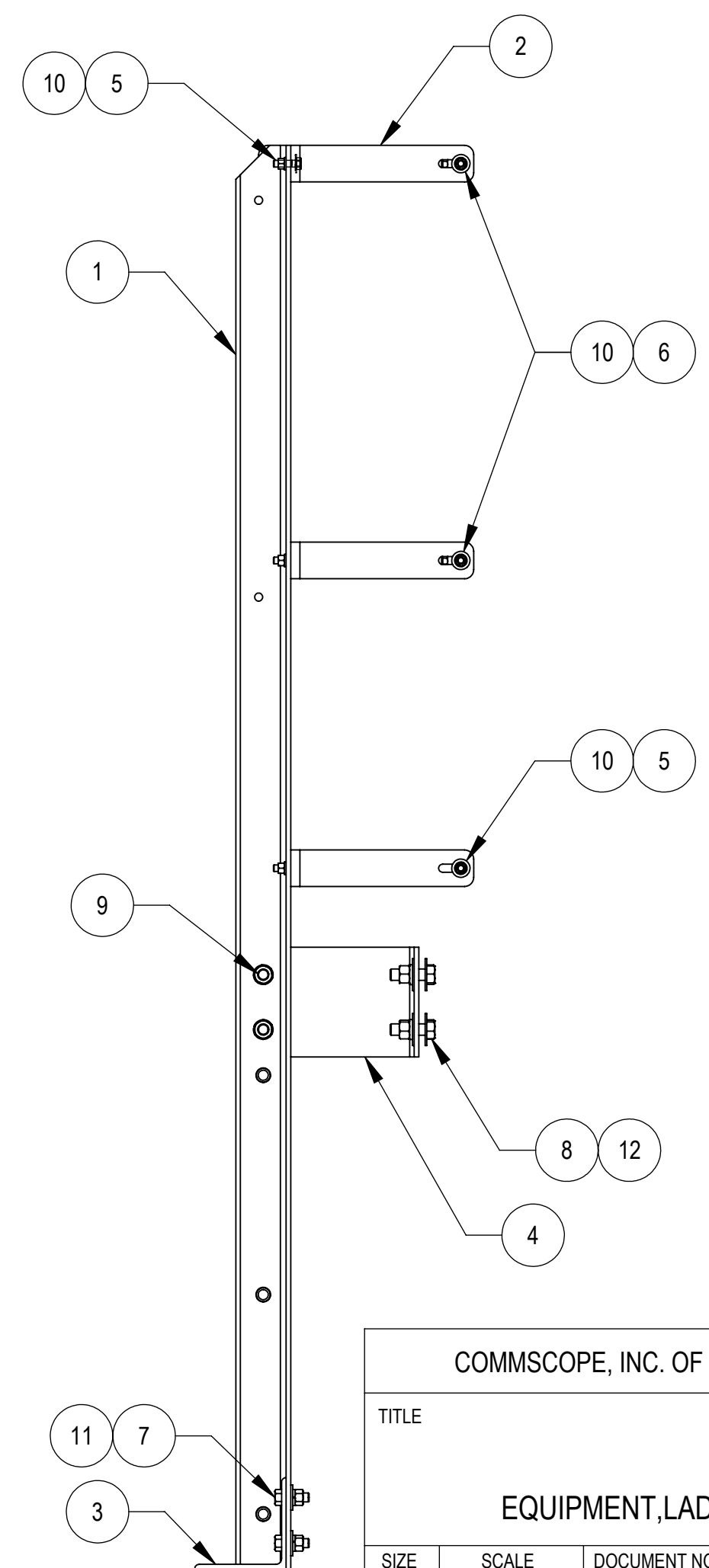
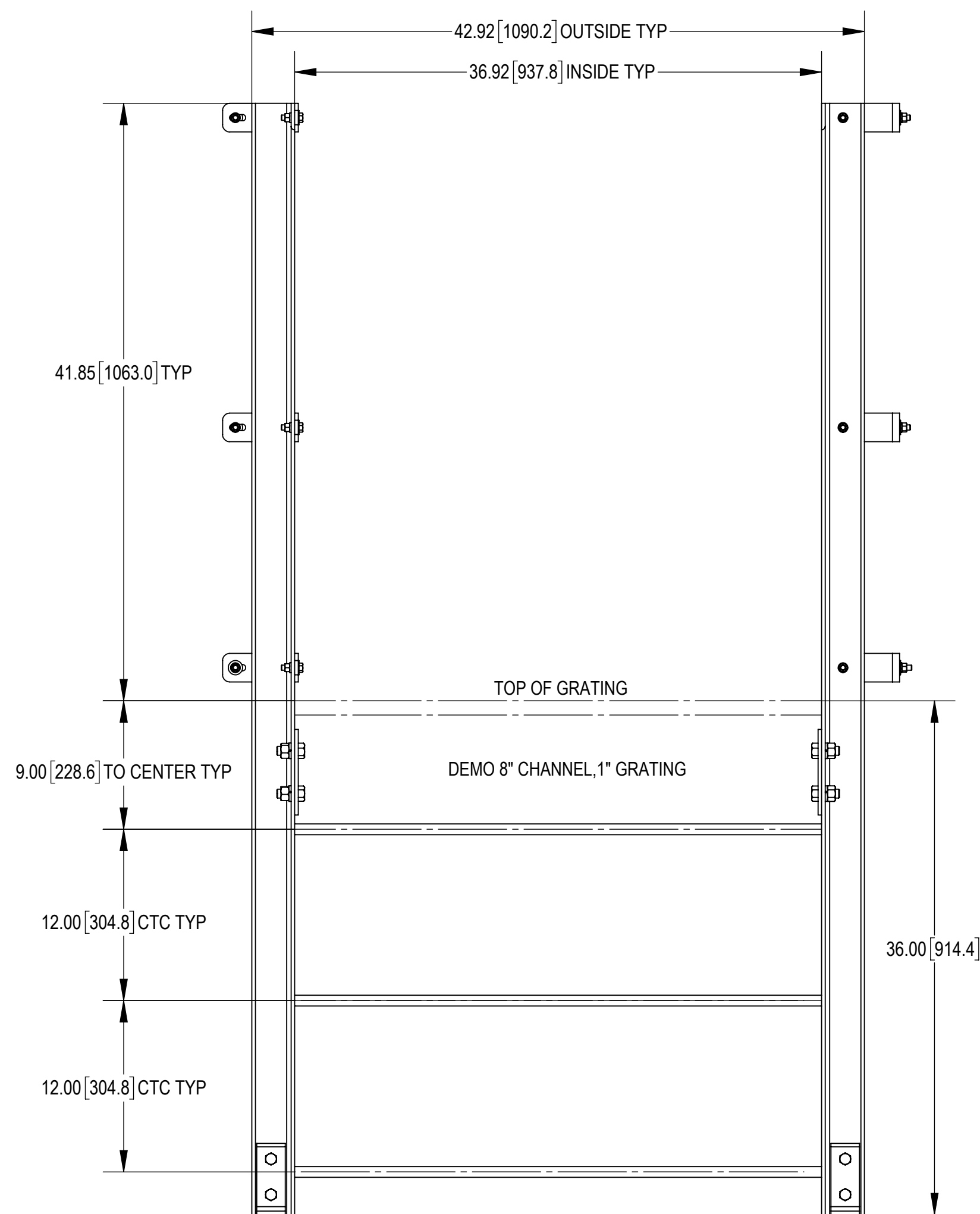
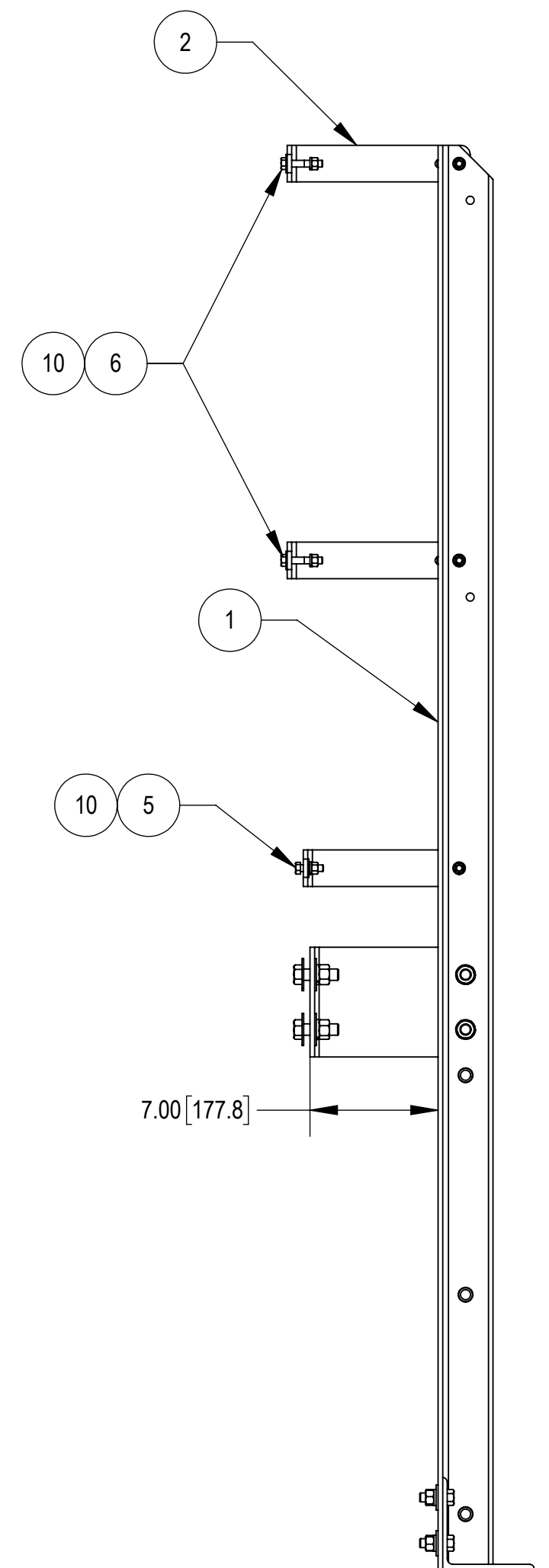
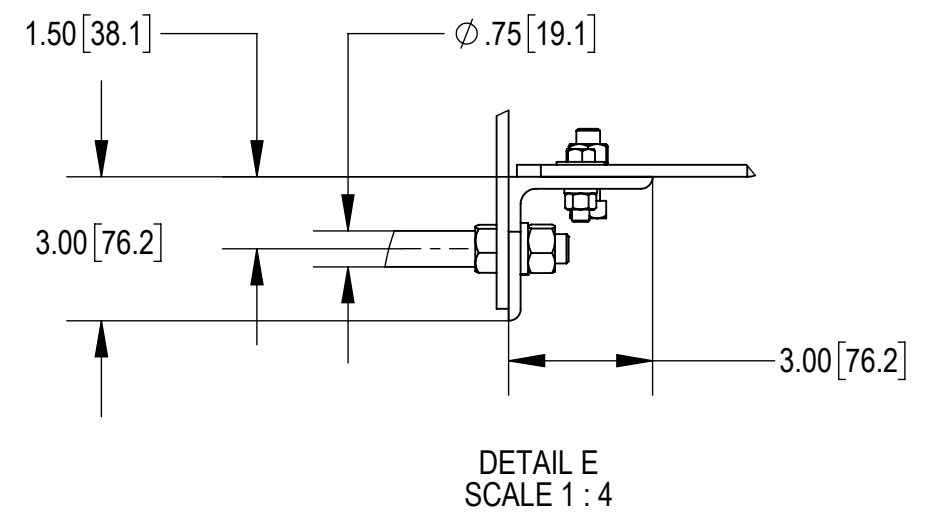
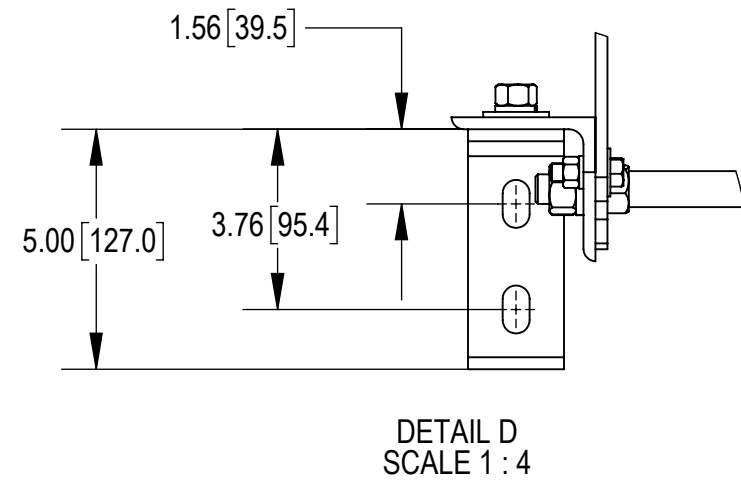
4

3

2

1

NOTES:



COMMSCOPE, INC. OF NORTH CAROLINA				
TITLE				
EQUIPMENT, LADDER SERIES				
SIZE	SCALE	DOCUMENT NO.		
C	1:8	EQ-LD SERIES		
		DRAWING		SHEET
		VERSION	STATUS	REVISION
		01	RE	B
				SHEET
				2 OF 2

© 2021 CommScope, Inc. Confidential

4

3

2

1

D

D

C

C

B

B

A

A