

FIBER MANAGEMENT SYSTEM (FMS)

1. INSTRUCTION

This instruction provides information for the installation and routing of the fibers in the 1U Fiber Optic Patch Panel. Read this instruction before starting assembly. The patch panels are to be mounted into 19" racks with front mounting styles. The panel is equipped with a sliding drawer for easy access.

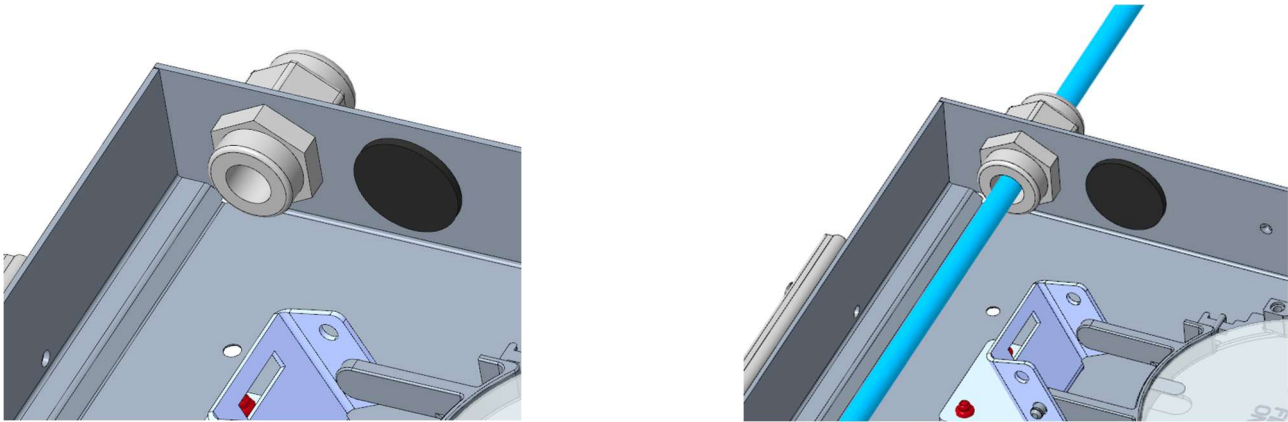


2. SAFETY REQUIREMENTS

Always wear eye protection when working with optical fibers. Never look into the end of terminated or unterminated fibers. Laser radiation is invisible but can damage eye tissue. Never eat, drink, or Smoke when working with fibers. This could lead to ingestion of glass particles.

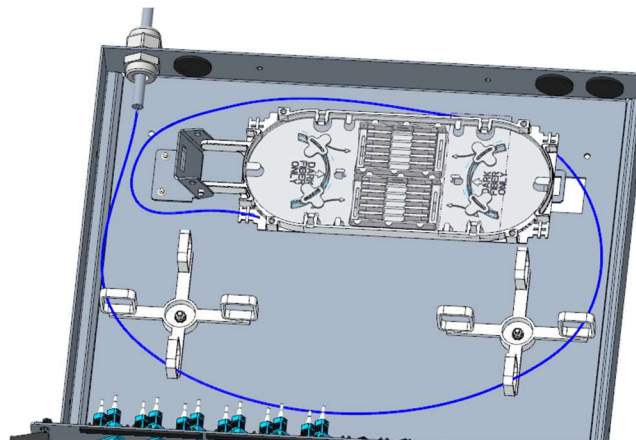
3. INSTALLATION

Install the gland at the back of the shelf and push the cable trough the gland inside the shelf. Cable entry is provided at both sides on the back of the shelf.

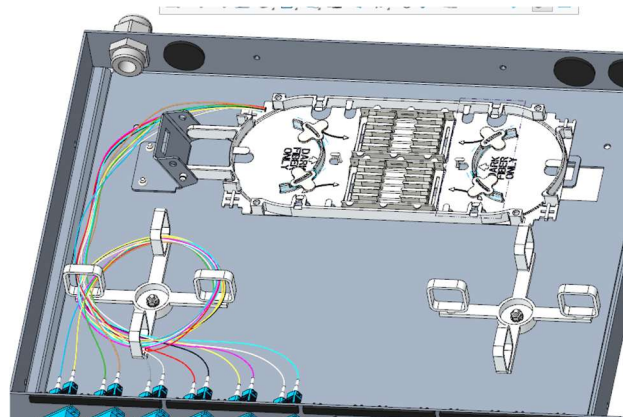


3.1 Termination cable and pigtails

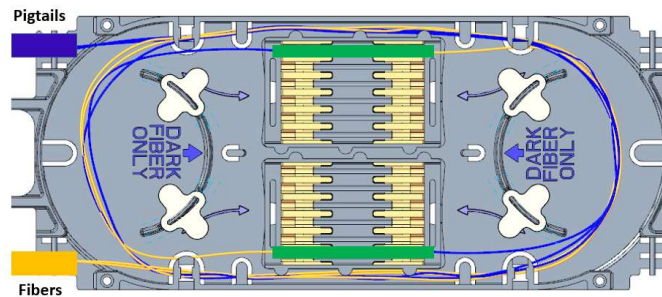
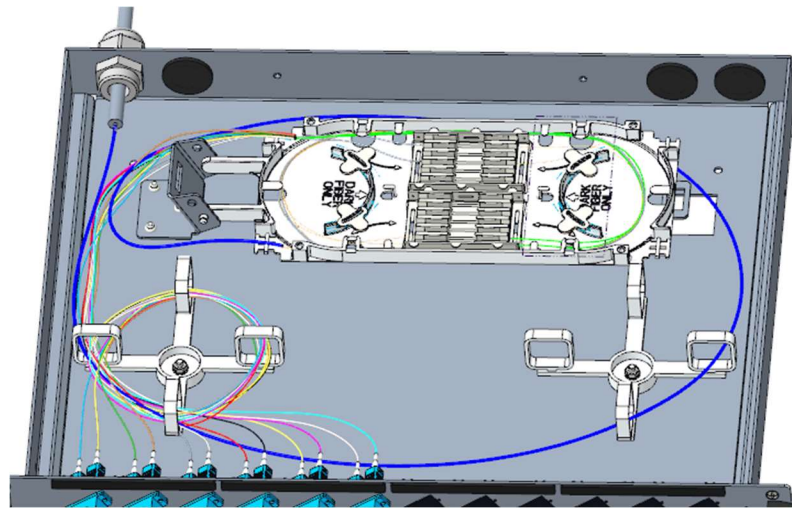
- a) Strip the cable over a length of 2.5~3.0m, the fibers routing as below



- b) The pigtails routing as below



c) The fibers and pigtails splicing in the tray



(Reference only)

3.2 Direct termination (For empty shelf, no splicing tray and pigtail)

a) Breakout cable routing

