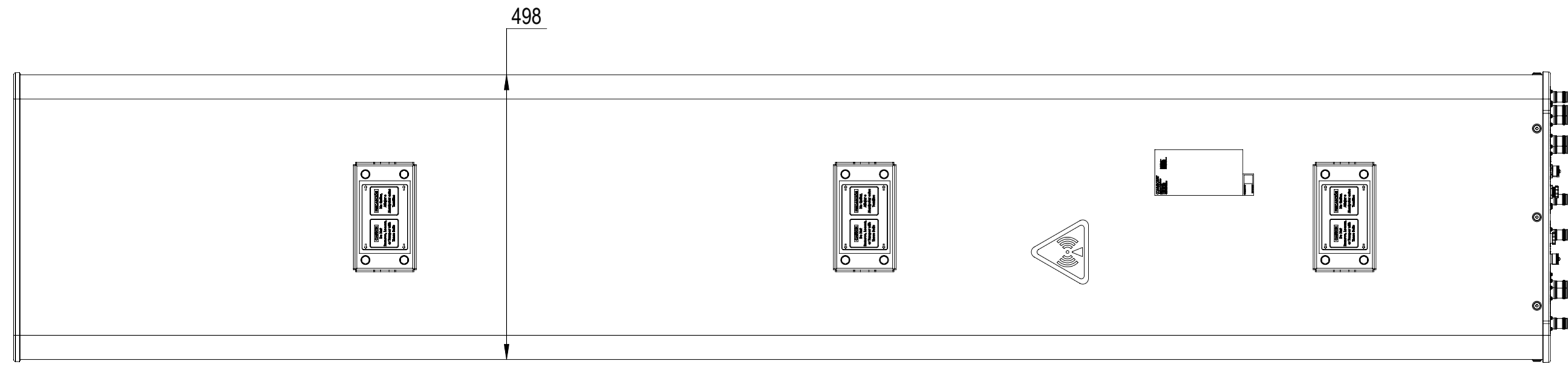
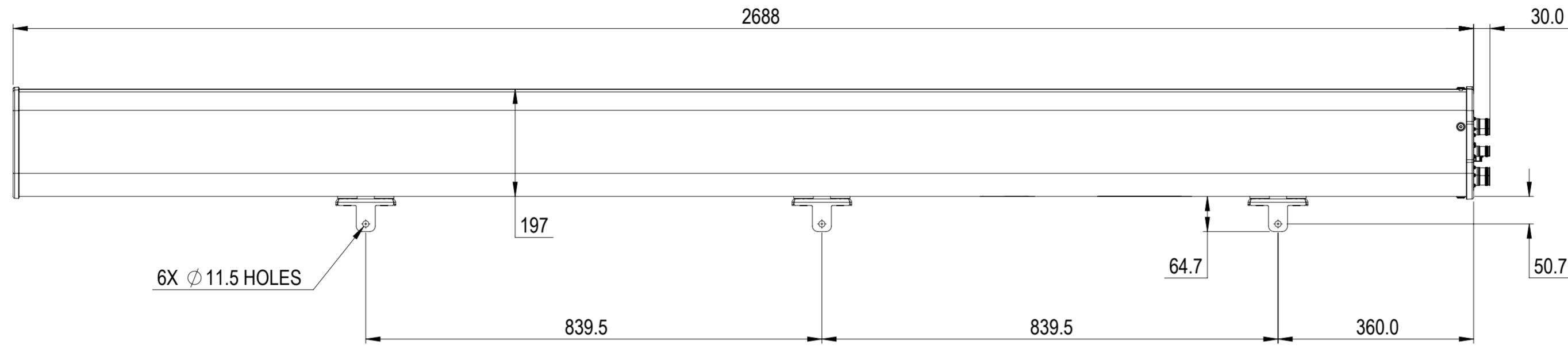


REVISIONS			
REV.	DESCRIPTION	DATE	APPROVED
A	ECR 10211PC: RELEASE TO PRODUCTION PER EAO 609480.	19FEB21 FFJ	ZYL/YWQ



10P-4L6M-D5

COMMSCOPE, INC. OF NORTH CAROLINA

TOLERANCES		SAP MATERIAL MASTER	
0 PLACE X ±	2 PLACE .XX ±		
1 PLACE .X ±	ANGLES ±		
FINISH		MATERIAL	
<small>UNLESS OTHERWISE SPECIFIED DIMENSIONS ARE IN MILLIMETERS INTERPRET PER ISO STANDARDS HANDBOOK TECHNICAL DRAWINGS VOLUMES 1 & 2, THIRD EDITION (2002)</small>		NAME	DATE
		CE FFAN2	02/19/2021
		RW FFAN2	02/20/2021
		RV	
		AD ZL8001	02/22/2021
RE ZHHCHEN	02/22/2021	TITLE PRODUCT DRAWING	
ECN 10211PC			
SCALE		DOCUMENT NO.	
1:8		10P-4L6M-D5-L	
SIZE	WORK AREA	BSA	MODEL
A2			VERSION
			STATUS
			REVISION
			VERSION
			STATUS
			REVISION
			SHEET
			1 OF 1