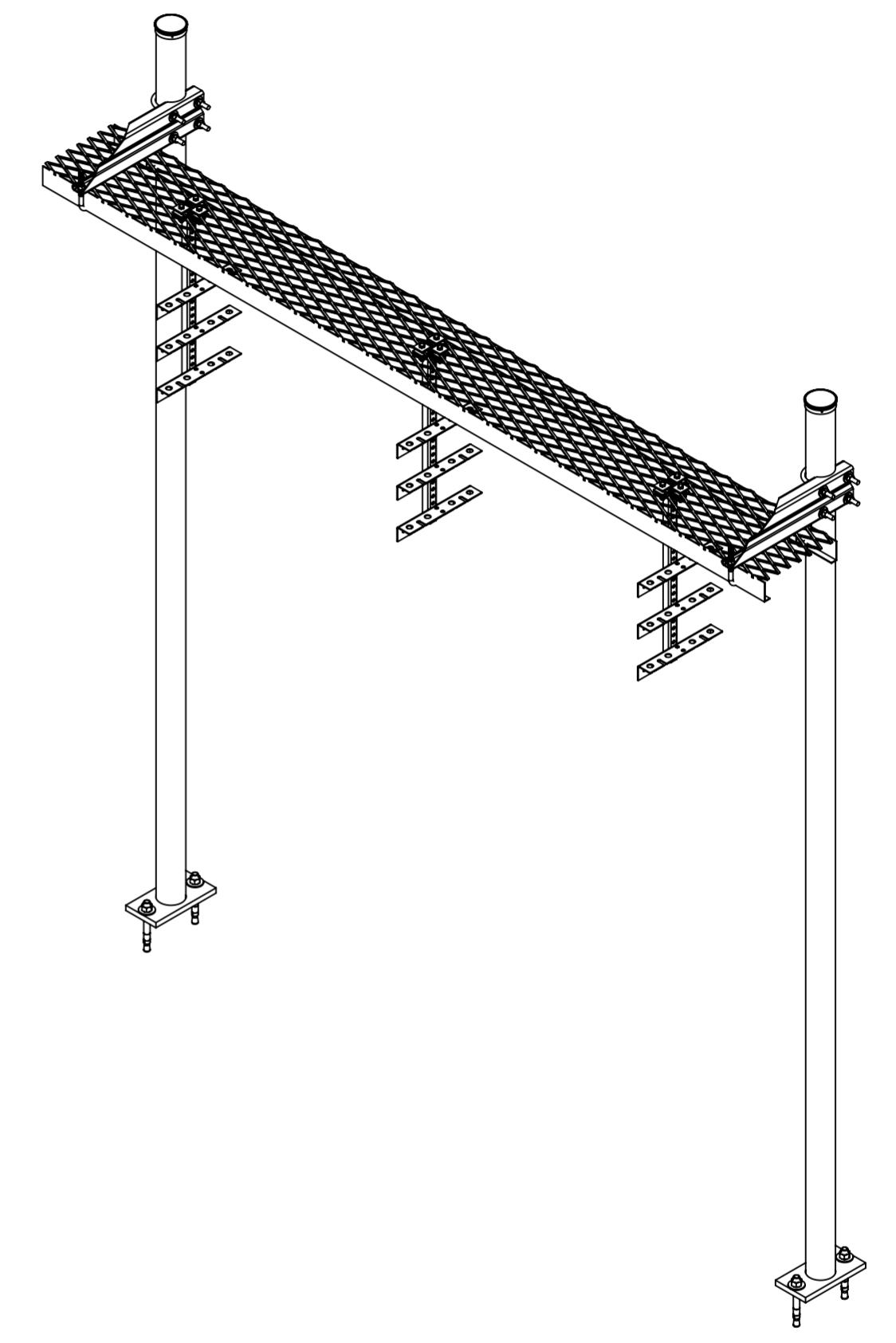
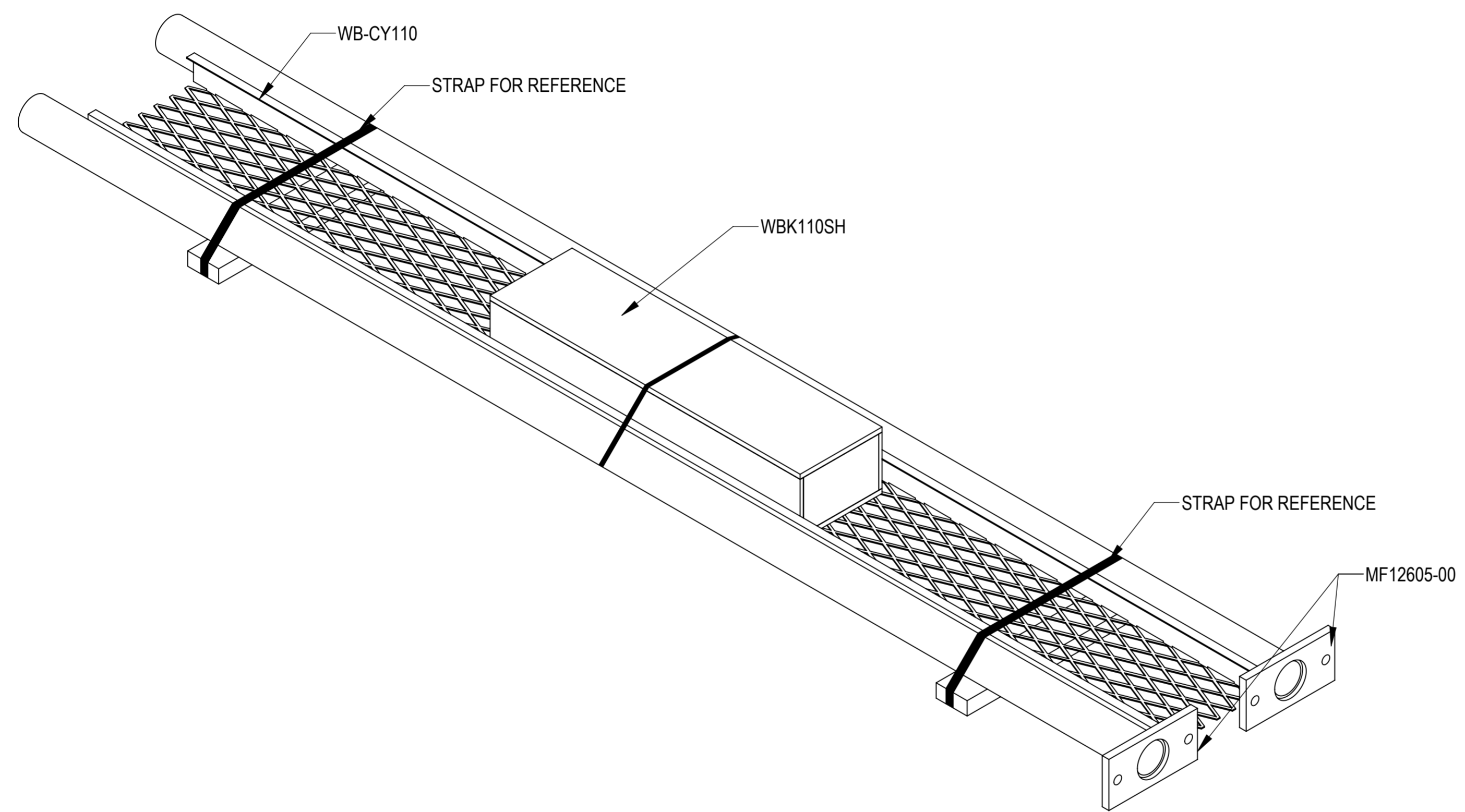


- 1.0 GENERAL NOTES
 1.1 ALL IMPERIAL DIMENSIONS ARE IN BRACKETS [X.XX]
 1.2 MARK PART WITH IDENTIFICATION NUMBER
 1.3 FOR PATENT INFO: <https://www.cs-pat.com>
 2.0 DESIGN NOTES
 3.0 MANUFACTURING/SPECIAL REQUIREMENTS
 3.1 TIGHTEN ALL BOLTS SECURING FLAT PLATES BY THE TURN-OF-NUT METHOD. TIGHTEN ALL U-BOLTS USING TURN-OF-NUT METHOD WITH ATTENTION TO LEAVE EQUAL DISTANCE AND EQUAL FORCE ON EACH LEG OF THE U-BOLT.
 4.0 TEST
 5.0 PACKAGING
 5.1 PACKAGING SHALL MEET COMMSCOPE REQUIREMENTS PER DOCUMENT IS-PL-3005
 5.2 PRINTED DOCUMENT TO BE PLACED INSIDE POLYBAG AND THEN IN SHIPPING CONTAINER
 5.3 EXTRA HARDWARE MAY BE SUPPLIED, BAGGED AND SHIPPED.

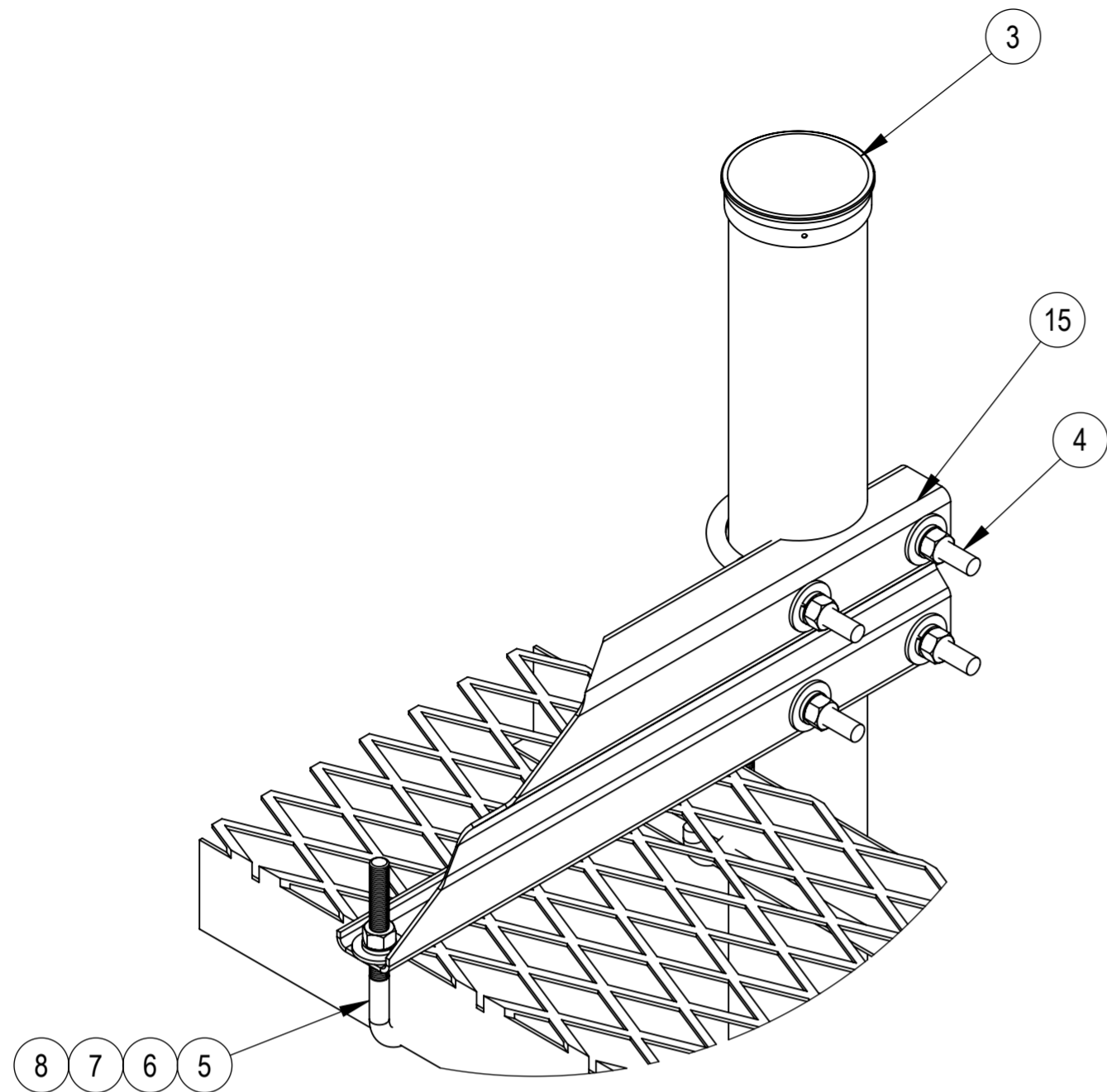
REVISIONS			
REV.	DESCRIPTION	DATE	APPROVED
A	INITIAL RELEASE	JYANG4 23AUG22	YW1047 40155031CMO
B	UPDATED BOM STRUCTURE TO WBK110SH	YH1102 11NOV22	YW1047 40160797CMO



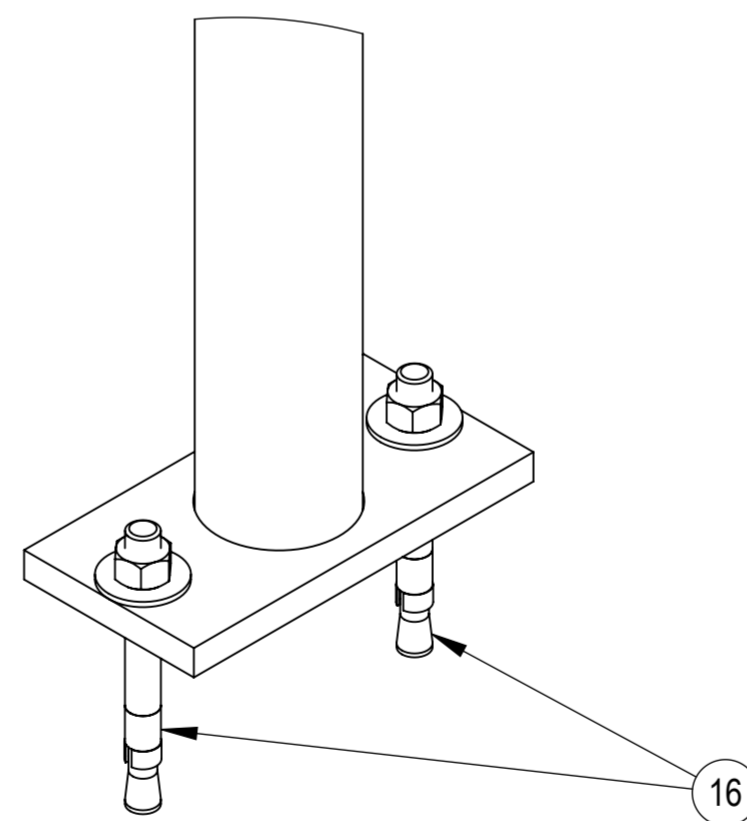
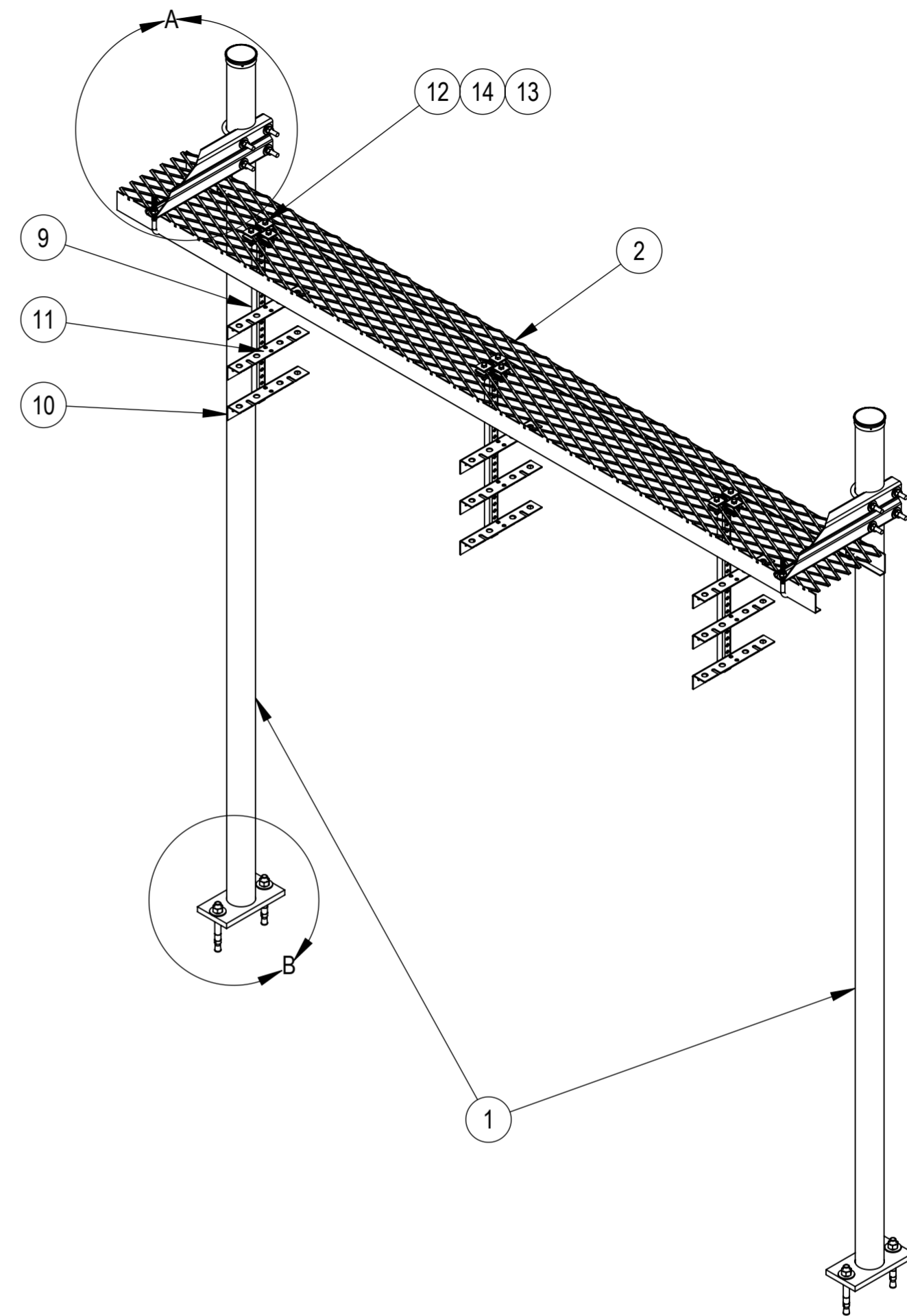
DENSITY	lbs/in ³
MASS	256.84 lbs
VOLUME	911.72 in ³
SURFACE AREA	10974.3 in ²
DENSITY	g/mm ³
MASS	116747.2402 grams
VOLUME	14941278.8644 mm ³
SURFACE AREA	7080190.9820 mm ²
HEIGHT	3354[132.0]
LENGTH	3048[120.0]
WIDTH	511[20.1]

COMMSCOPE, INC. OF NORTH CAROLINA

TOLERANCES		SAP MATERIAL MASTER	
0 PLACE	X[.X] ± 6[0.25]	2 PLACE	.XX[.XXX] ± 1.50[0.06]
1 PLACE	.X[.XX] ± 3.0[0.12]	ANGLES	± 2°
FINISH		MATERIAL	
WBKIT, 13FT 4IN, SCH. 40, BASE SHOE			
SCALE		DOCUMENT NO.	
1:4		WB-K110-S-HD	
SIZE	Auth Group	INSL	MODEL
A2		VERSION	STATUS
		01	RE
DRAWING		REVISION	VERSION
STATUS		REVISION	VERSION
RE		B	01
RE		B	B
			SHEET
			1 OF 7



DETAIL A
SCALE 1 : 4

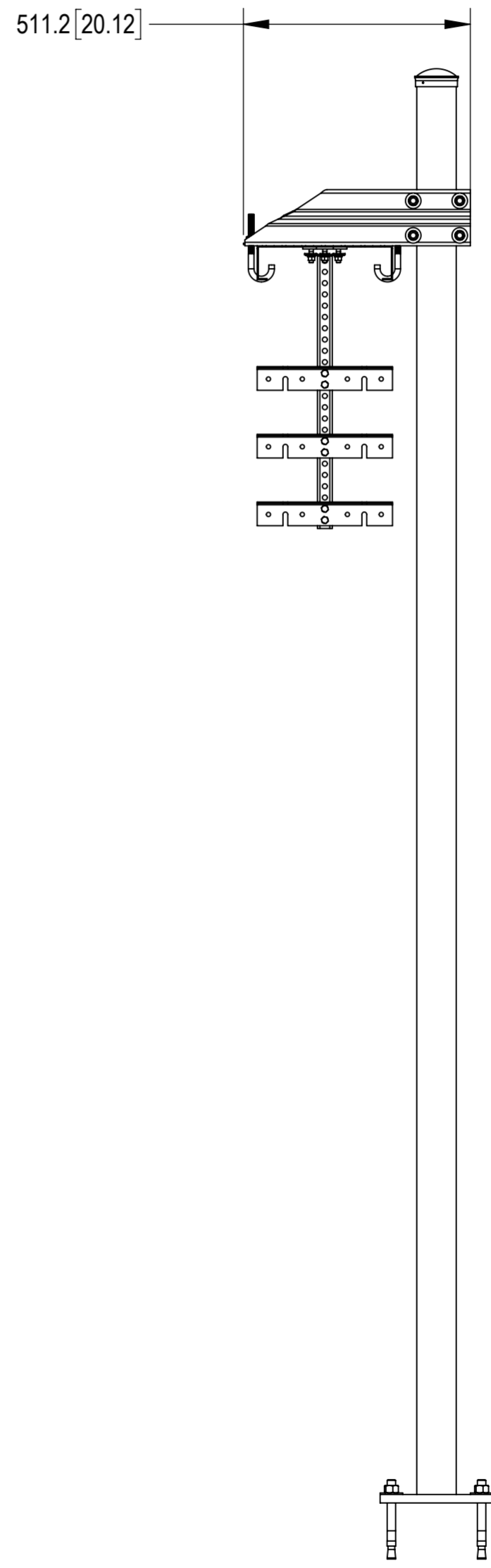
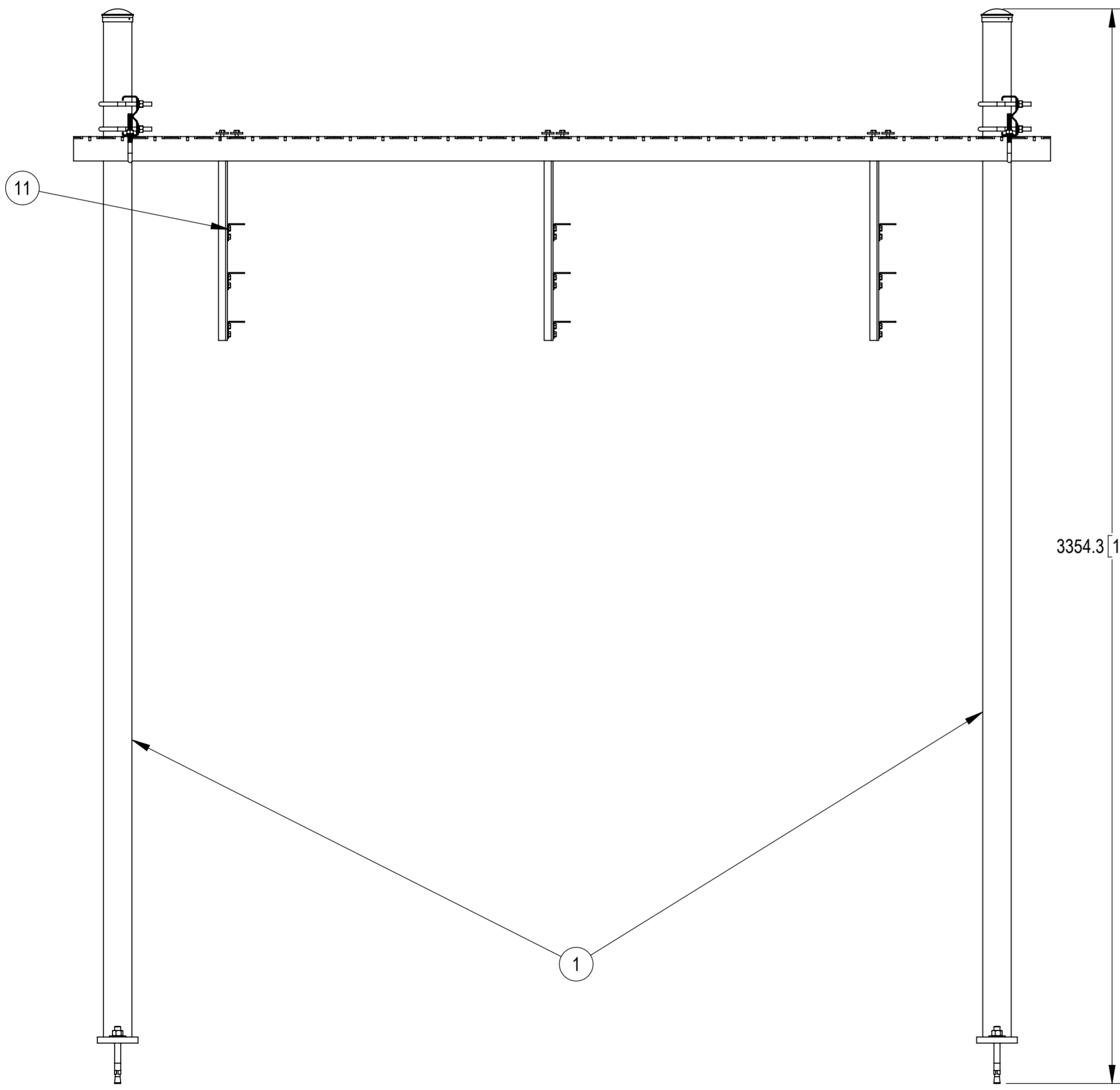
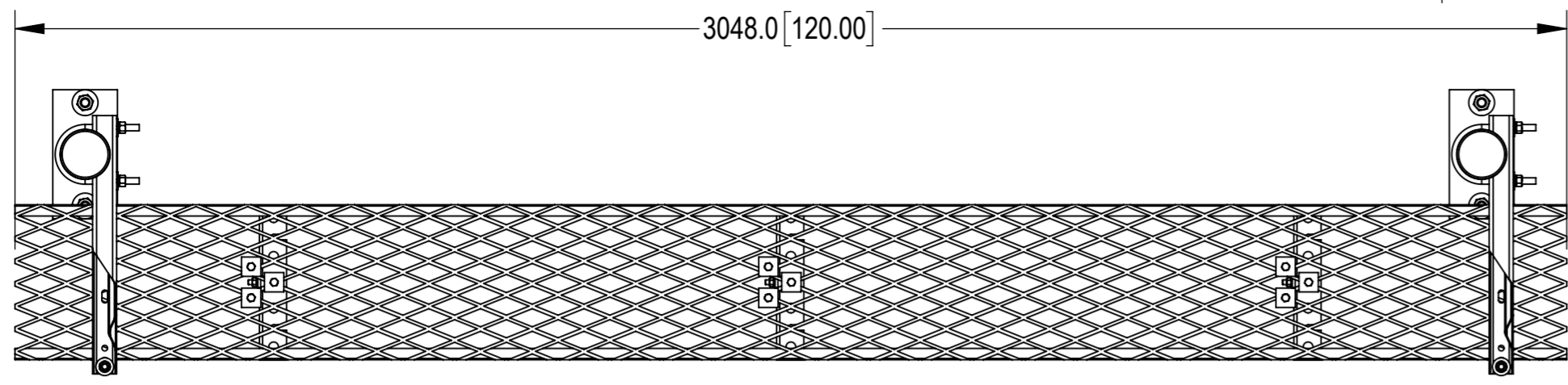


DETAIL B
SCALE 1 : 4

COMPONENT PART NUMBERS PROVIDED FOR ASSEMBLY PURPOSES;
INDIVIDUAL COMPONENTS MAY BE SHIPPED AS PARTS WITHIN AN INCLUDED KIT.

ITEM	PART NO.	DESCRIPTION	QTY.	WEIGHT	NOTE NO.
1	MF12605-00	10'-6" BASE SHOE WELDMENT	2	87.33 LBS	
2	WB-CY110	SAFETY GRATING 12" X 10'	1	36.54 LBS	
3	PC-034	PIPE CAP 3-1/2"	2	0.66 LBS	
4	GUB-4356	1/2" X 3-5/8" X 6" GALV U-BOLT	4	0.81 LBS	
5	GWF-04	1/2" GALV FLAT WASHER	4	0.04 LBS	
6	WJB6	1/2" J-BOLT	4	0.41 LBS	
7	GWL-04	1/2" GALV LOCK WASHER	4	0.01 LBS	
8	GN-04	1/2" GALV HEX NUT	4	0.04 LBS	
9	WBT24301	VERTICAL TRAPEZE SECTION	3	2.53 LBS	
10	WBT12302	12" HORIZONTAL TRAPEZE SECTION	9	1.46 LBS	
11	GB-03105	3/8" X 1" GALV BOLT KIT	18	0.05 LBS	
12	GB-03205	3/8" X 2" GALV BOLT KIT	9	0.08 LBS	
13	GWF-03	3/8" GALV FLAT WASHER	9	0.01 LBS	
14	MT-387	SQUARE WASHER, 1-1/2" X 1-1/2" W/ 7/16" HOLE	18	0.11 LBS	
15	WBLB12307	12" WAVEGUIDE BRIDGE SUPPORT BRACKET	2	4.72 LBS	
16	MT-287	3/4" ANCHOR BOLT	4	1.08 LBS	

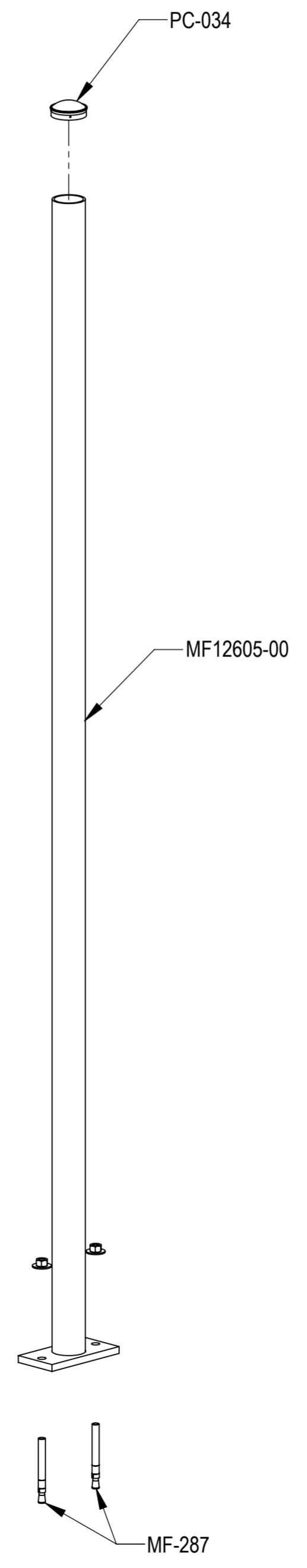
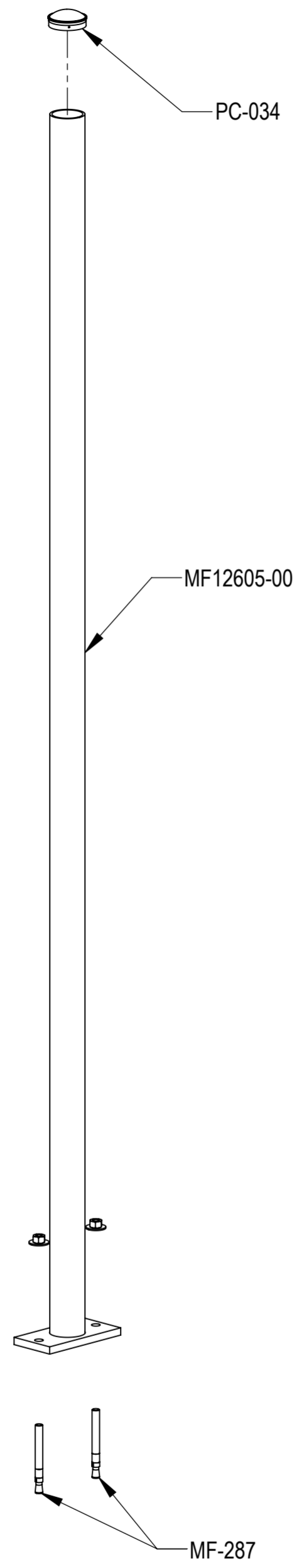
COMMSCOPE, INC. OF NORTH CAROLINA				
TITLE WBKIT, 13FT 4IN, SCH. 40, BASE SHOE				
SIZE A2	SCALE 1:16	DOCUMENT NO. WB-K110-S-HD		
DRAWING		VERSION	STATUS	REVISION
		01	RE	B
				SHEET 2 OF 7



COMMSCOPE, INC. OF NORTH CAROLINA				
TITLE WBKIT, 13FT 4IN, SCH. 40, BASE SHOE				
SIZE A2	SCALE 1:12	DOCUMENT NO. WB-K110-S-HD		
		DRAWING		SHEET
		VERSION	STATUS	REVISION
		01	RE	B
				SHEET 3 OF 7

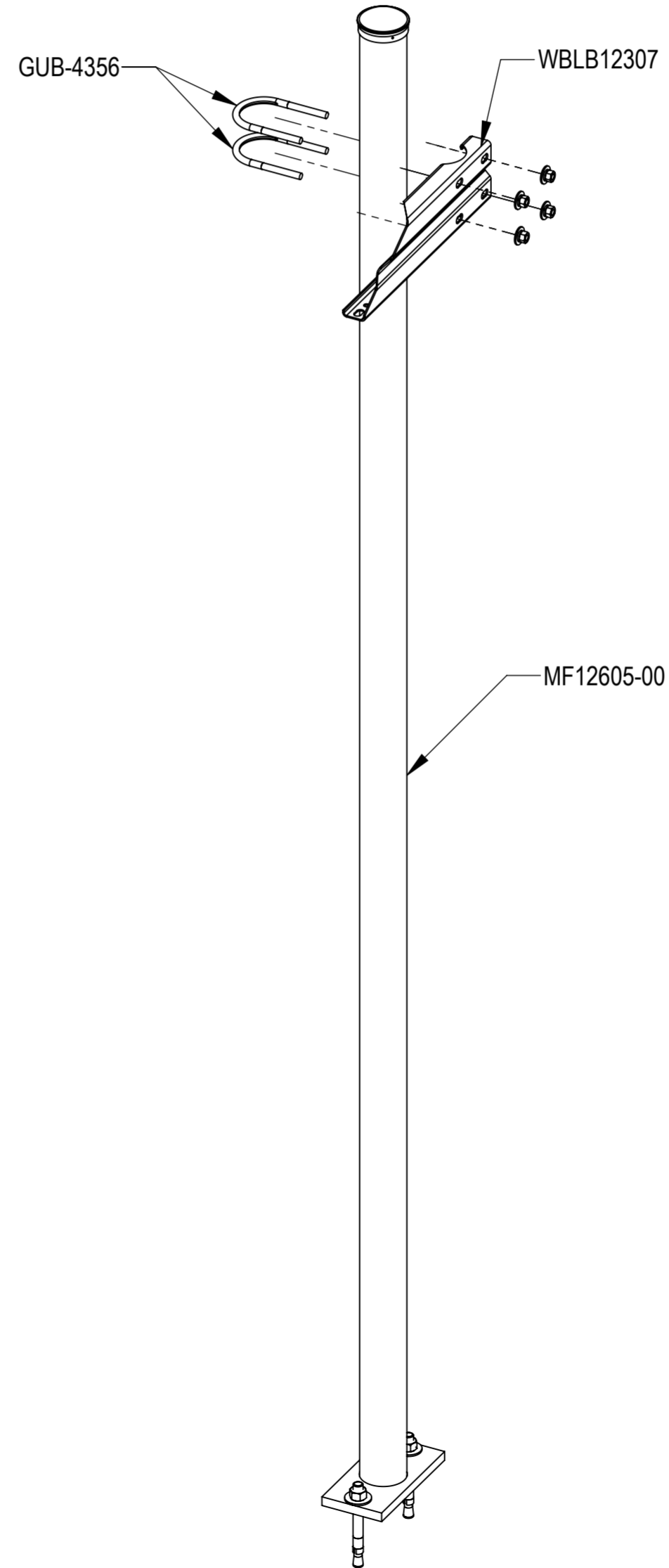
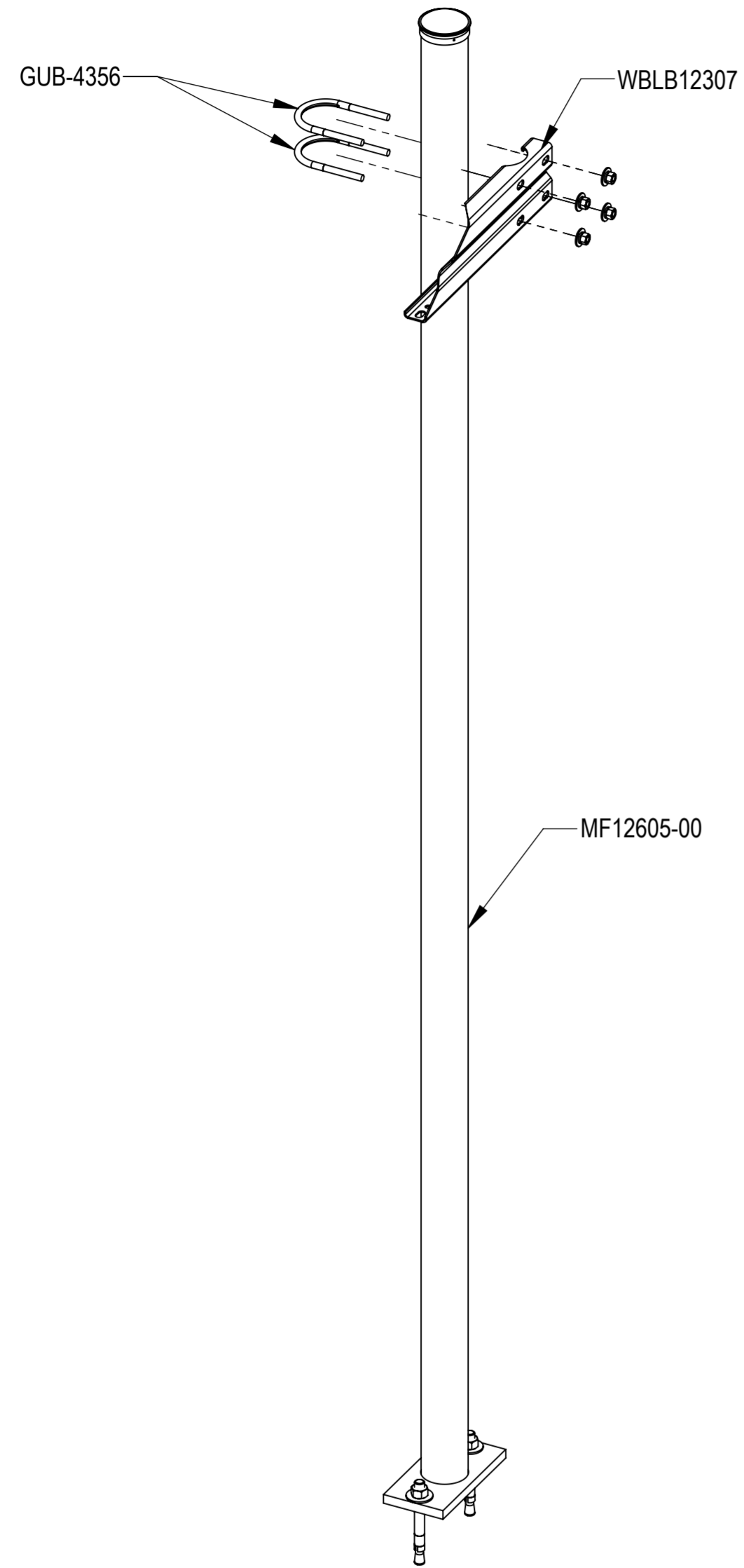
© 2022 CommScope, Inc. Confidential

STEP1: ATTACH PIPE CAP (PC-034) AND ANCHOR BOLT (MT-287) TO BASE SHOE WELDMENT (MF12605-00)



COMMSCOPE, INC. OF NORTH CAROLINA				
TITLE WBKIT, 13FT 4IN, SCH. 40, BASE SHOE				
SIZE A2	SCALE 1:12	DOCUMENT NO. WB-K110-S-HD		
DRAWING				SHEET
VERSION 01	STATUS RE	REVISION B	4 OF 7	

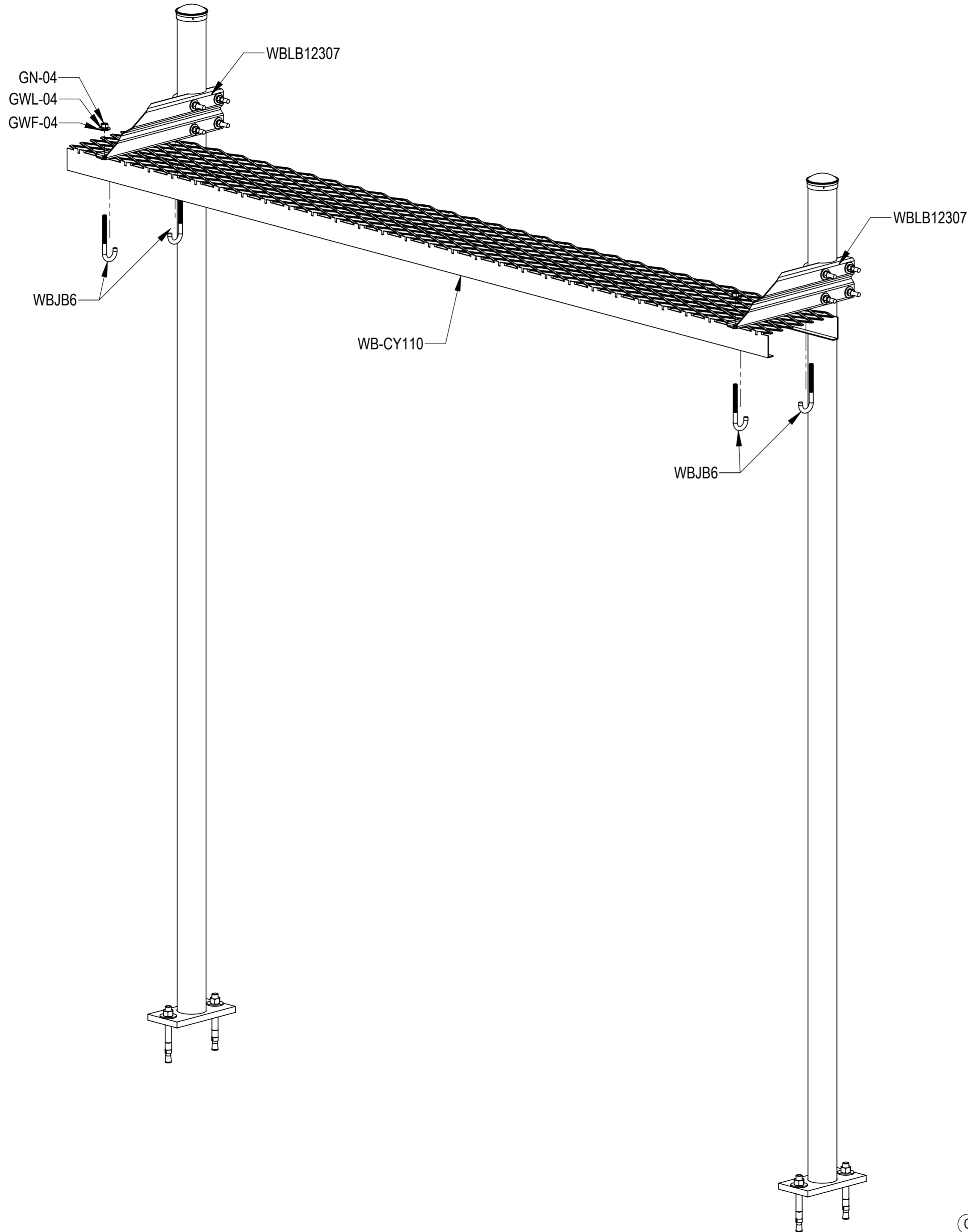
STEP2: ATTACH BRIDGE SUPPORT BRACKET (WBLB12307) TO BASE SHOE WELDMENT (MF12605-00) USING U-BOLT KIT (GUB-4356)



COMMSCOPE, INC. OF NORTH CAROLINA				
TITLE WBKIT, 13FT 4IN, SCH. 40, BASE SHOE				
SIZE A2	SCALE 1:10	DOCUMENT NO. WB-K110-S-HD		
DRAWING				SHEET
VERSION 01	STATUS RE	REVISION B	5 OF 7	

© 2022 CommScope, Inc. Confidential

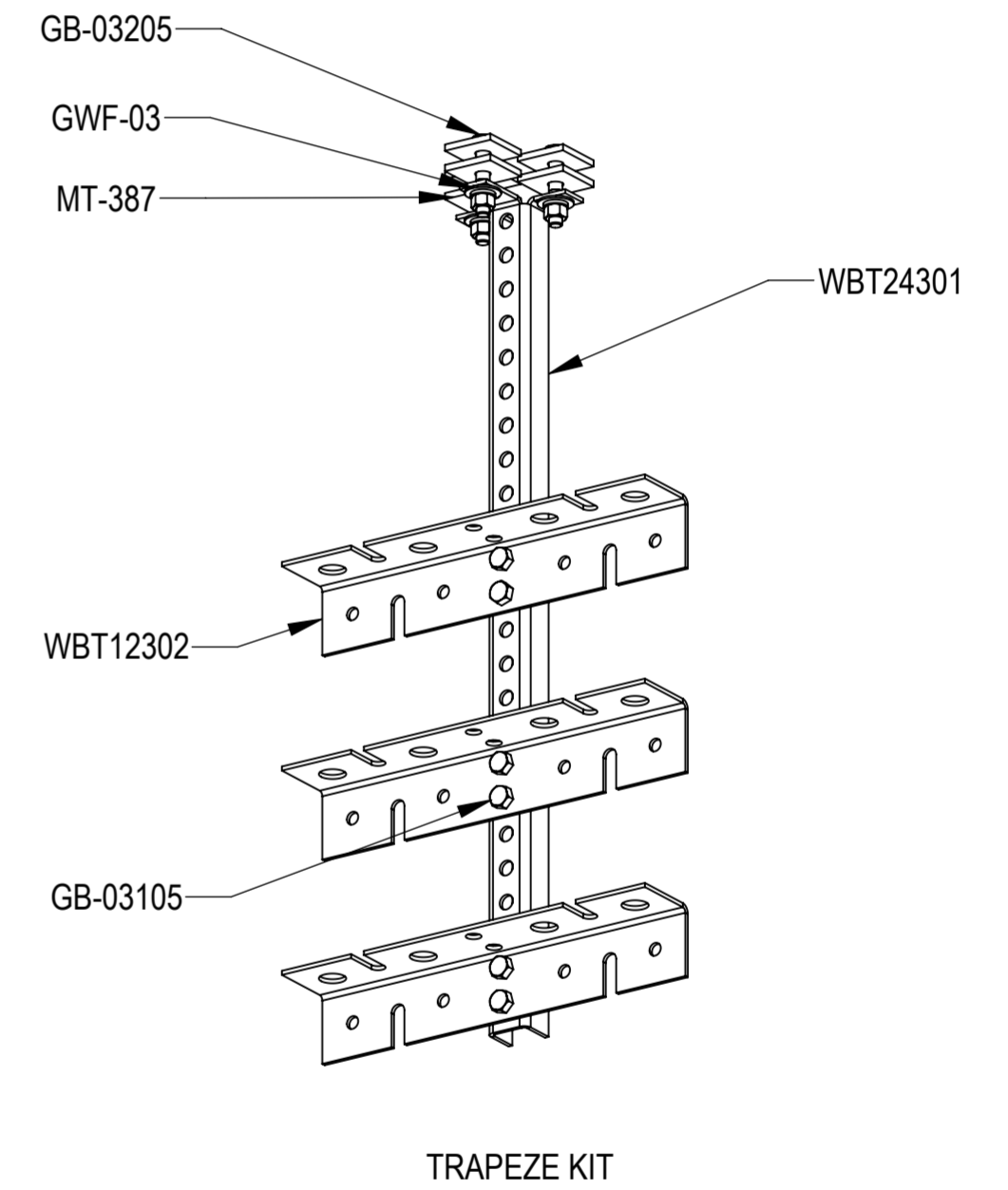
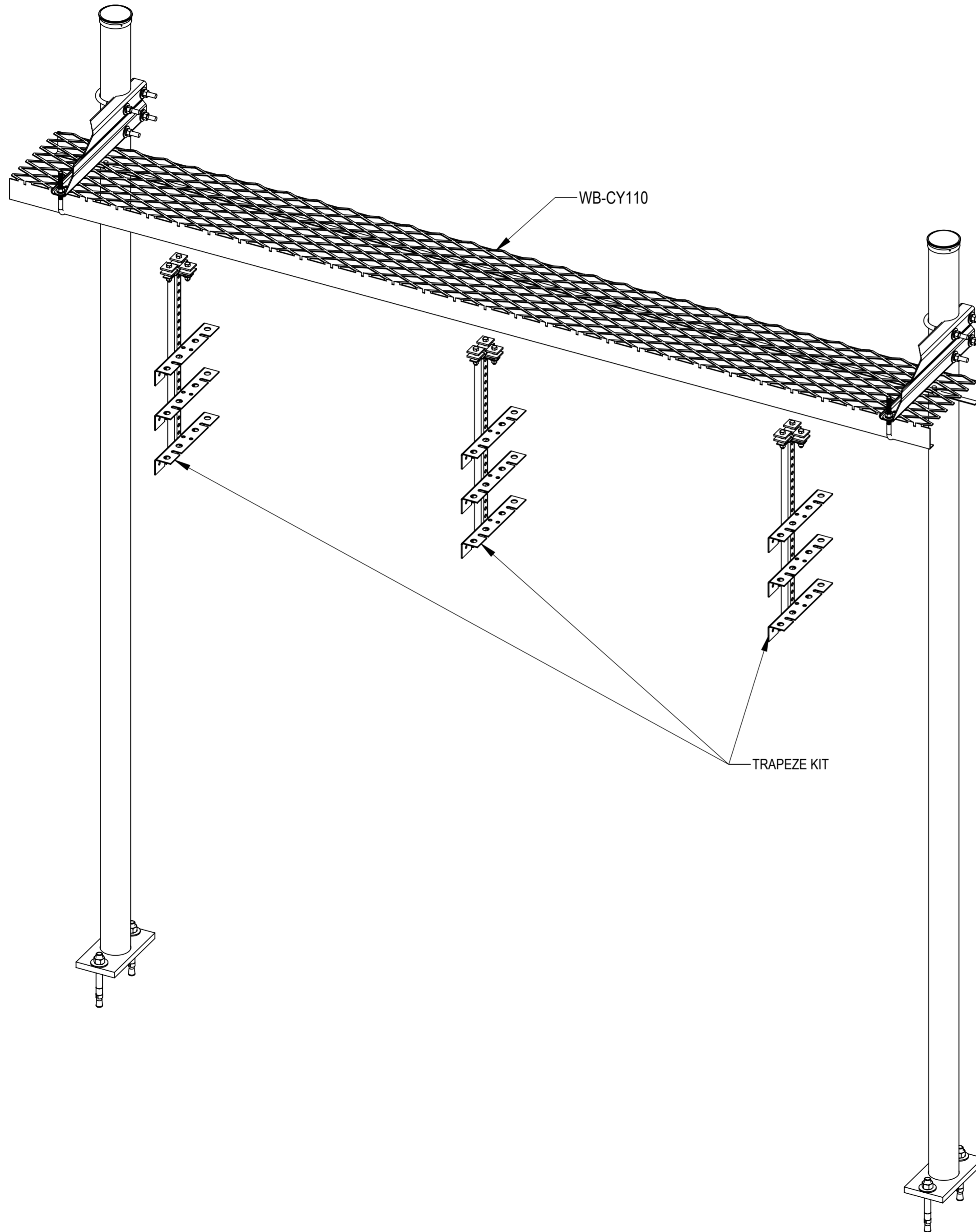
STEP3: ATTACH BRIDGE SUPPORT BRACKET (WBLB12307) TO SAFETY GRATED WAVEGUIDE BRIDGE CHANNEL (WB-CY110) USING J-BOLT (WBJB6), FLAT WASHER (GWF-04), LOCK WASHER (GWL-04) AND NUT (GN-04)



COMMSCOPE, INC. OF NORTH CAROLINA				
TITLE WBKIT, 13FT 4IN, SCH. 40, BASE SHOE				
SIZE A2	SCALE 1:10	DOCUMENT NO. WB-K110-S-HD		
DRAWING				SHEET
VERSION 01	STATUS RE	REVISION B	6 OF 7	

© 2022 CommScope, Inc. Confidential

STEP4: ATTACH TRAPEZE KIT TO SAFETY GRATED WAVEGUIDE BRIDGE CHANNEL (WB-CY110)



COMMSCOPE, INC. OF NORTH CAROLINA				
TITLE WBKIT, 13FT 4IN, SCH. 40, BASE SHOE				
SIZE A2	SCALE 1:10	DOCUMENT NO. WB-K110-S-HD		
DRAWING				SHEET
VERSION 01	STATUS RE	REVISION B	7 OF 7	