

4

3

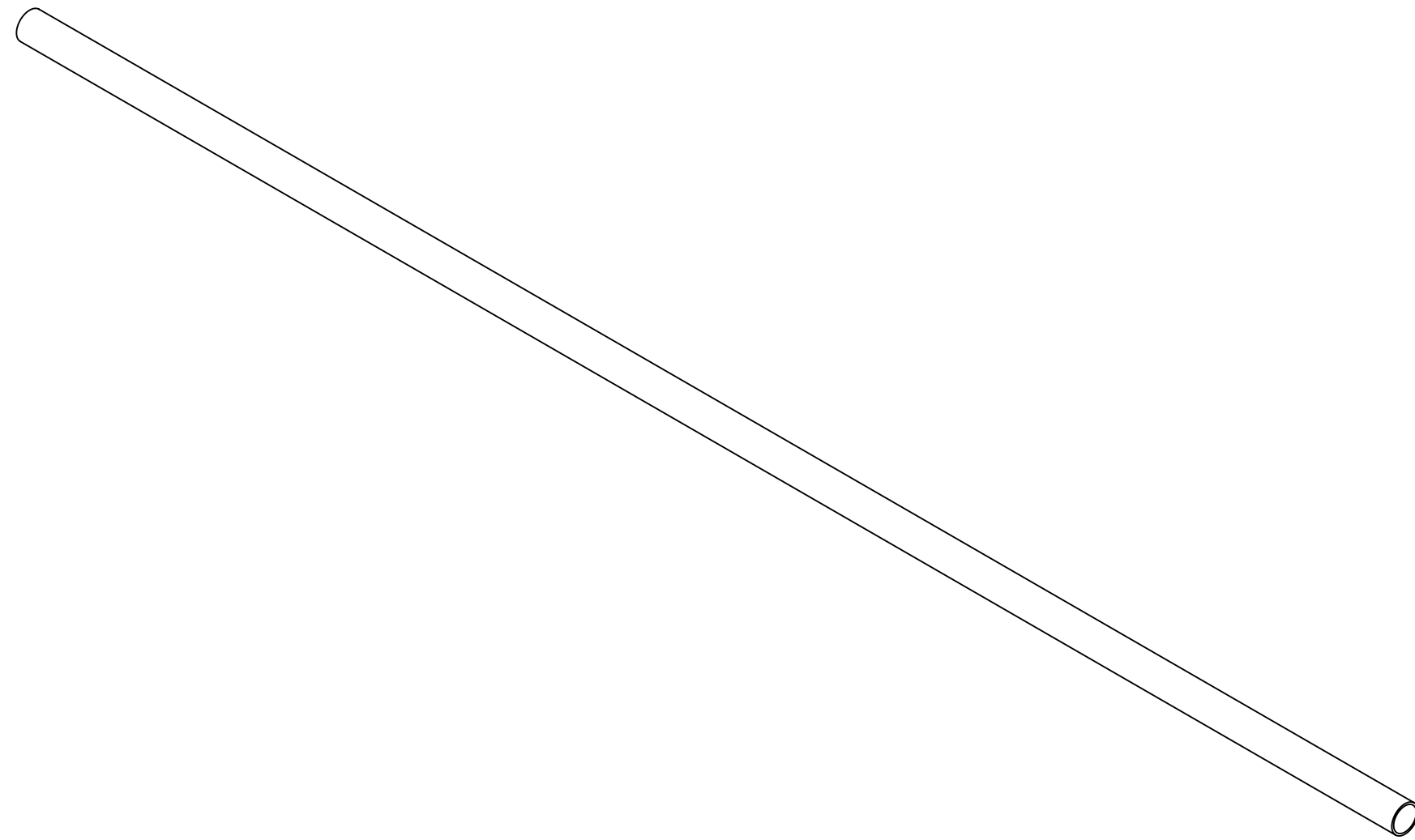
2

1

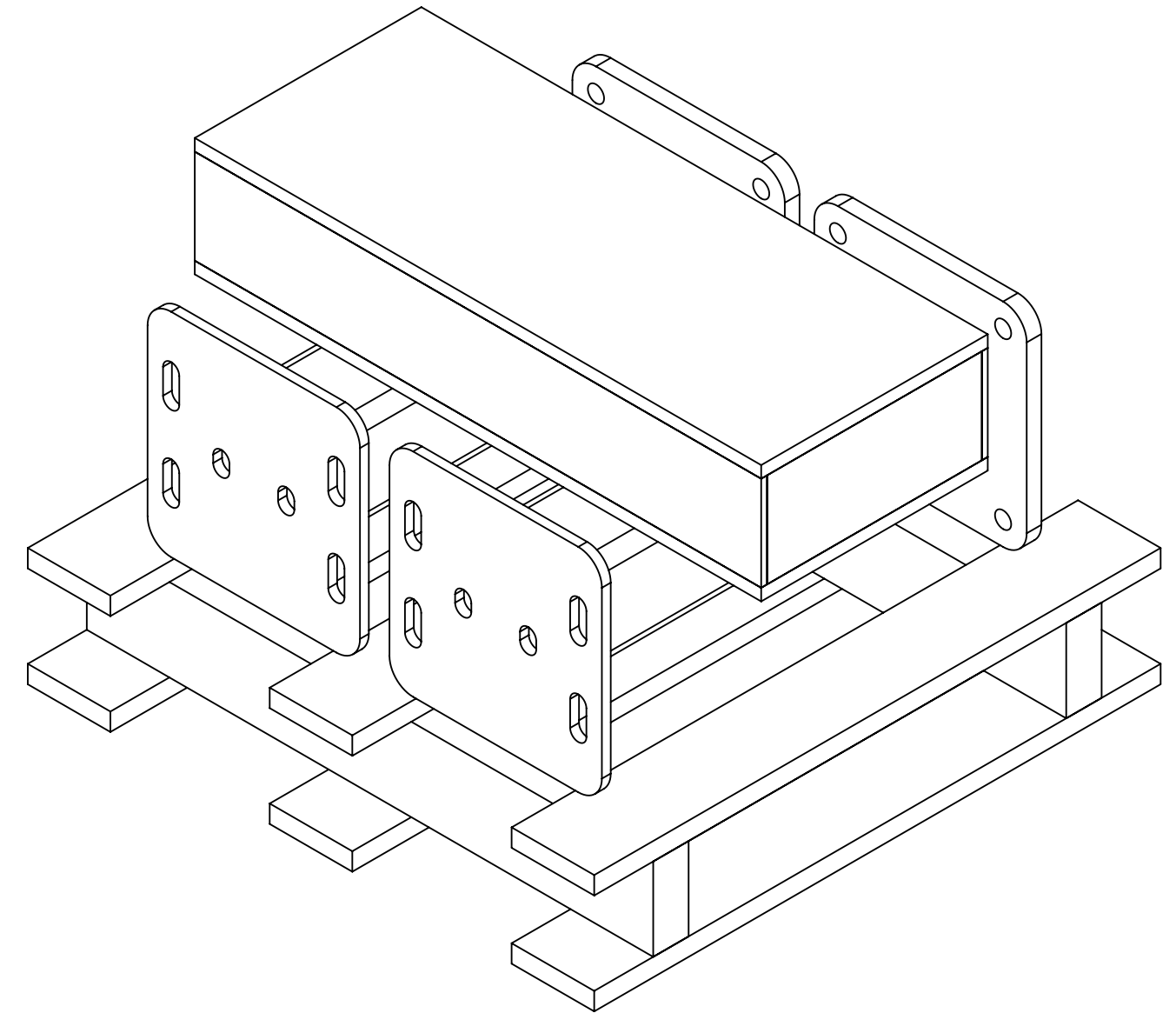
NOTES:

- 1.0 GENERAL NOTES
 - 1.1 ALL METRIC DIMENSIONS ARE IN BRACKETS [X. X]
 - 1.2 MARK PART WITH IDENTIFICATION NUMBER
- 2.0 DESIGN NOTES
 - 2.1 DESIGN SURVIVAL WIND SPEED: 180 MPH (GROUN BASED DESIGN LOADING).
- 3.0 MANUFACTURING/SPECIAL REQUIREMENTS
 - 3.1 TIGHTEN ALL THREADED RODS SECURING BACK PLATES AND STAND-OFFS BY THE TURN-OF-NUT METHOD. TIGHTEN ALL U-BOLTS SECURING PIPES USING TURN-OF-NUT METHOD WITH ATTENTION TO LEAVE EQUAL DISTANCE AND EQUAL FORCE ON EACH LEG OF THE U-BOLT.
- 4.0 TEST
- 5.0 PACKAGING
 - 5.1 PACKAGING SHALL MEET COMMSCOPE REQUIREMENTS PER DOCUMENT IS-PL-3005.
 - 5.2 PRINTED DOCUMENT TO BE PLACED INSIDE POLYBAG AND THEN IN SHIPPING CONTAINER.
 - 5.3 EXTRA HARDWARE MAYBE SUPPLIED, BAGGED AND SHIPPED.

REVISIONS			
REV.	DESCRIPTION	ECO	DATE
A	INITIAL RELEASE	40146687CMO	YW1045 4/12/2022



MT-546-150



WM-ST1812-PK01

COMMSCOPE, INC. OF NORTH CAROLINA												
TOLERANCES					SAP MATERIAL MASTER							
1 PLACE .X ± 0.25		3 PLACE .XXX ± 0.06			WM-ST1812							
2 PLACE .XX ± 0.12		ANGLES ± 2°			MATERIAL SEE SEPARATE BILLS OF MATERIAL							
FINISH GALV A123					MATERIAL SEE SEPARATE BILLS OF MATERIAL							
UNLESS OTHERWISE SPECIFIED DIMENSIONS ARE IN INCHES INTERPRET PER ANSI Y 14.5M-1994		NAME	DATE	TITLE								
	CE	YW1045	4/12/2022	WALL MOUNT STAND-OFF KIT 150 PIPE								
	RW	LS1146	05/26/2022									
	AD	YW1045	05/29/2022									
	RE	YMENG	05/29/2022									
	ECN	40146687CMO								SCALE	DOCUMENT NO.	
			1:5							WM-ST1812		
DENSITY		lbs/in ³	SIZE		Auth Group	INSL	MODEL			DRAWING		SHEET 1 OF 3
MASS	125.42	lbs	C	⊕	⚡	VERSION	STATUS	REVISION	VERSION	STATUS	REVISION	
VOLUME	1347.16	in ³				11	RE	K	00	RE	A	
SURFACE AREA	5874.81	in ²										
HEIGHT	16.5"											
LENGTH	24"											
WIDTH	24"											

4

3

2

1

4

3

2

1

NOTES:

D

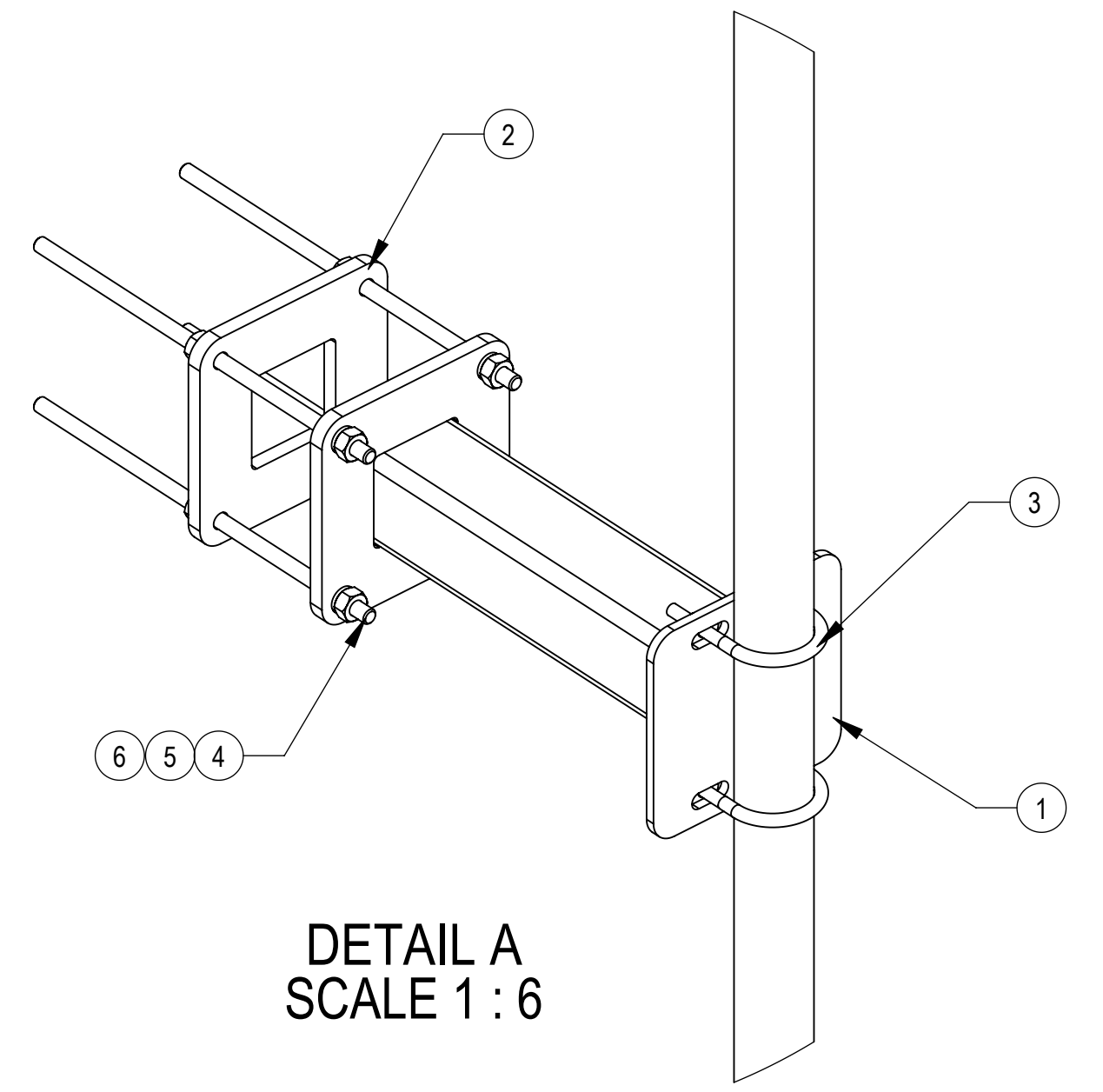
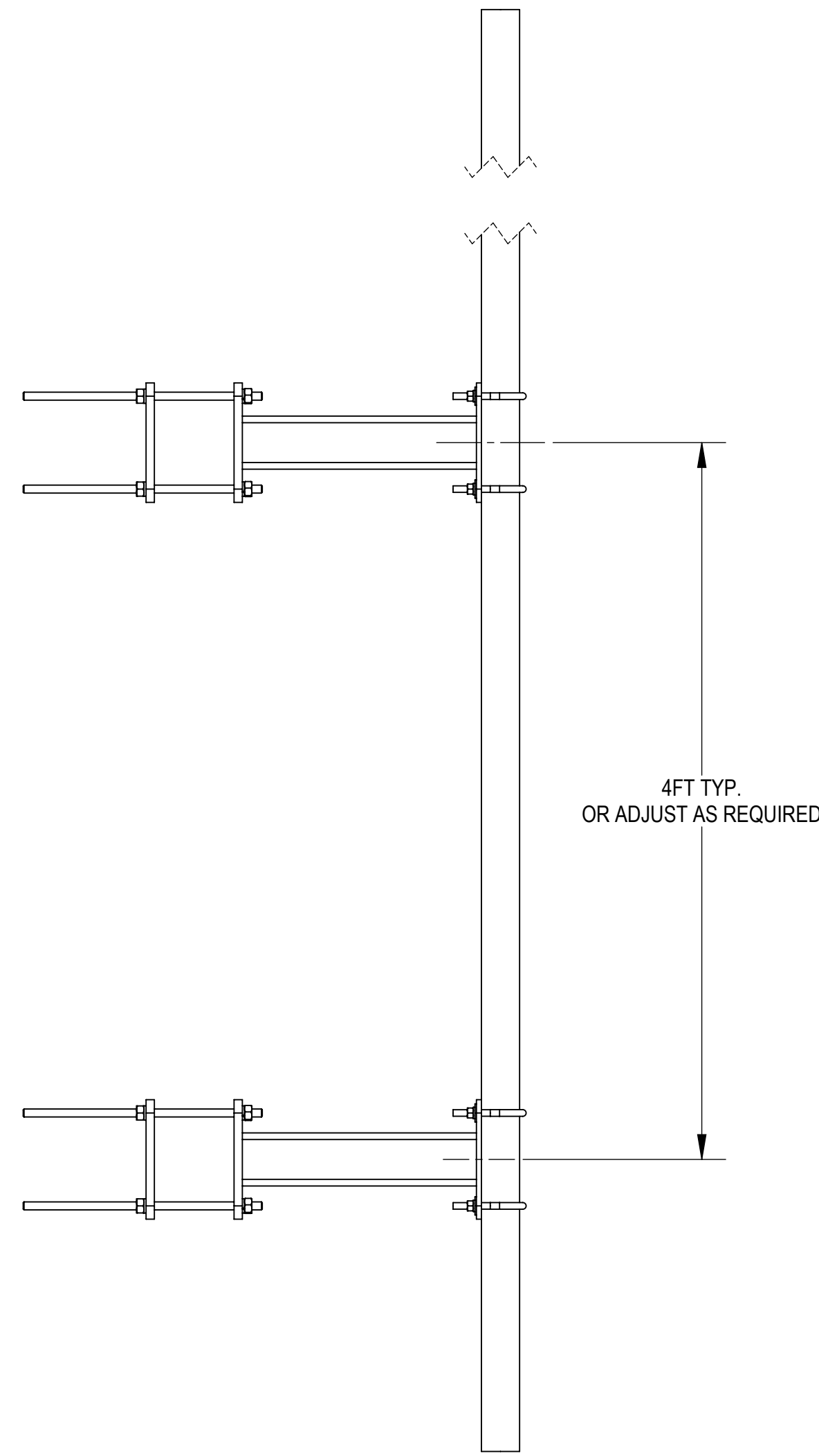
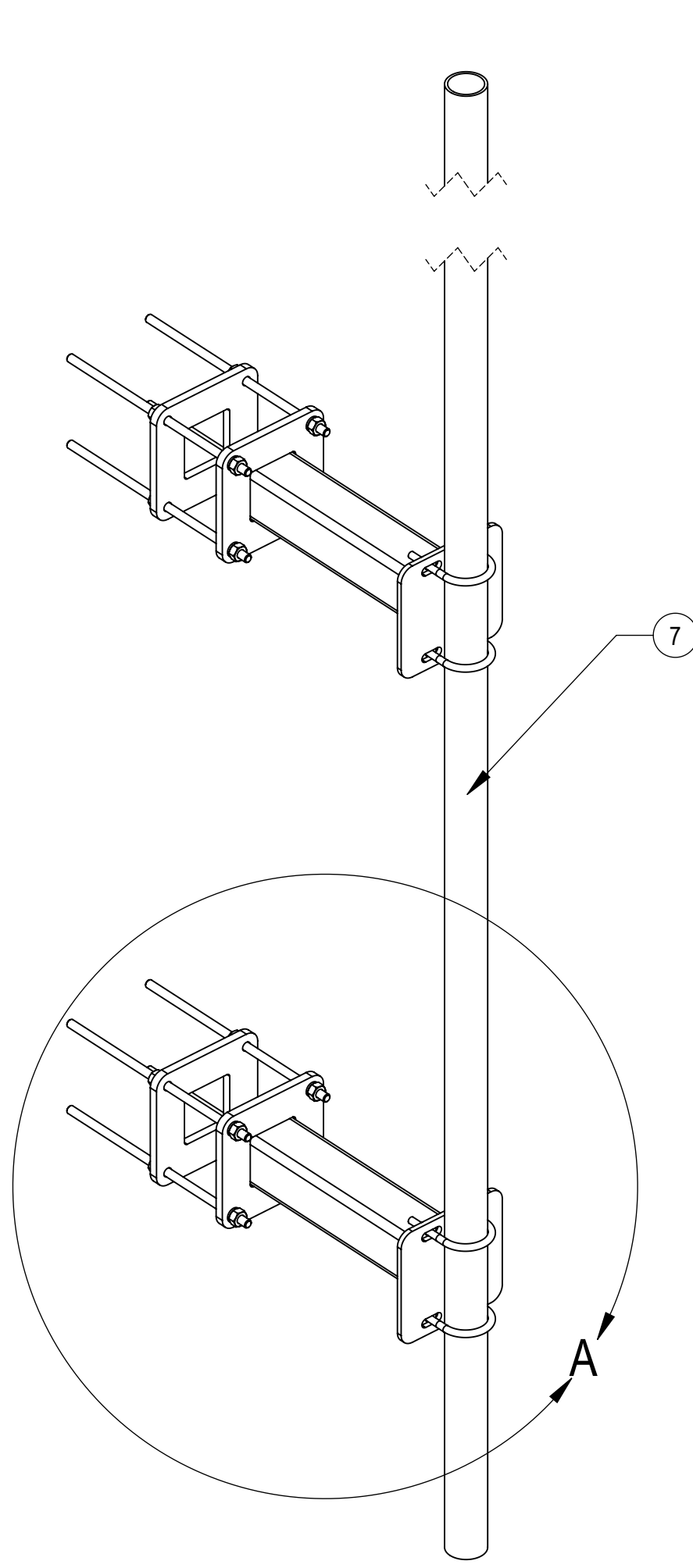
D

C

C

B

B



BOM IS FOR REFERENCE ONLY. SEPARATELY SUPPLIED SAP BOM CONTROLS CONTENT

ITEM	PART NO.	DESCRIPTION	QTY.	WEIGHT	NOTE NO.
1	MCSA18B01	18" SUPPORT ARM STAND	2	37.18 LBS	
2	MT19607-00	GALV BACK PLATE	2	11.10 LBS	
3	GUB-4350	1/2" X 3" X 5" GALV U-BOLT	4	0.68 LBS	
4	MT-382-18	5/8" X 18" THREADED ROD	8	1.43 LBS	
5	GN-05A	5/8" GALV HEX NUT (A194 2H)	16	0.12 LBS	
6	GWL-05	5/8" GALV LOCK WASHER	16	0.03 LBS	
7	MT-546-150	2-7/8" OD x 150" GALV PIPE	1	72.67 LBS	

COMMSCOPE, INC. OF NORTH CAROLINA				
TITLE WALL MOUNT STAND-OFF KIT 150 PIPE				
SIZE C	SCALE 1:24	DOCUMENT NO. WM-ST1812		
DRAWING		REVISION		SHEET
VERSION 00	STATUS RE	REVISION A	2 OF 3	

© 2022 CommScope, Inc. Confidential

4

3

2

1

A

A

4

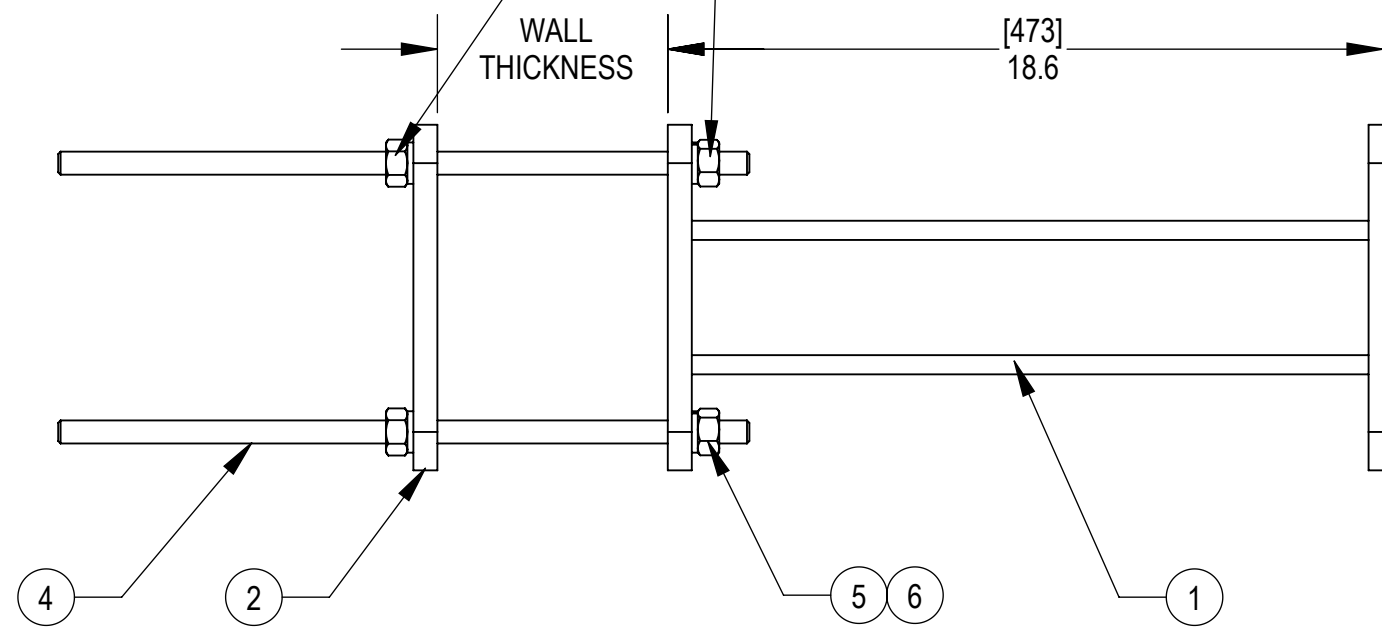
3

2

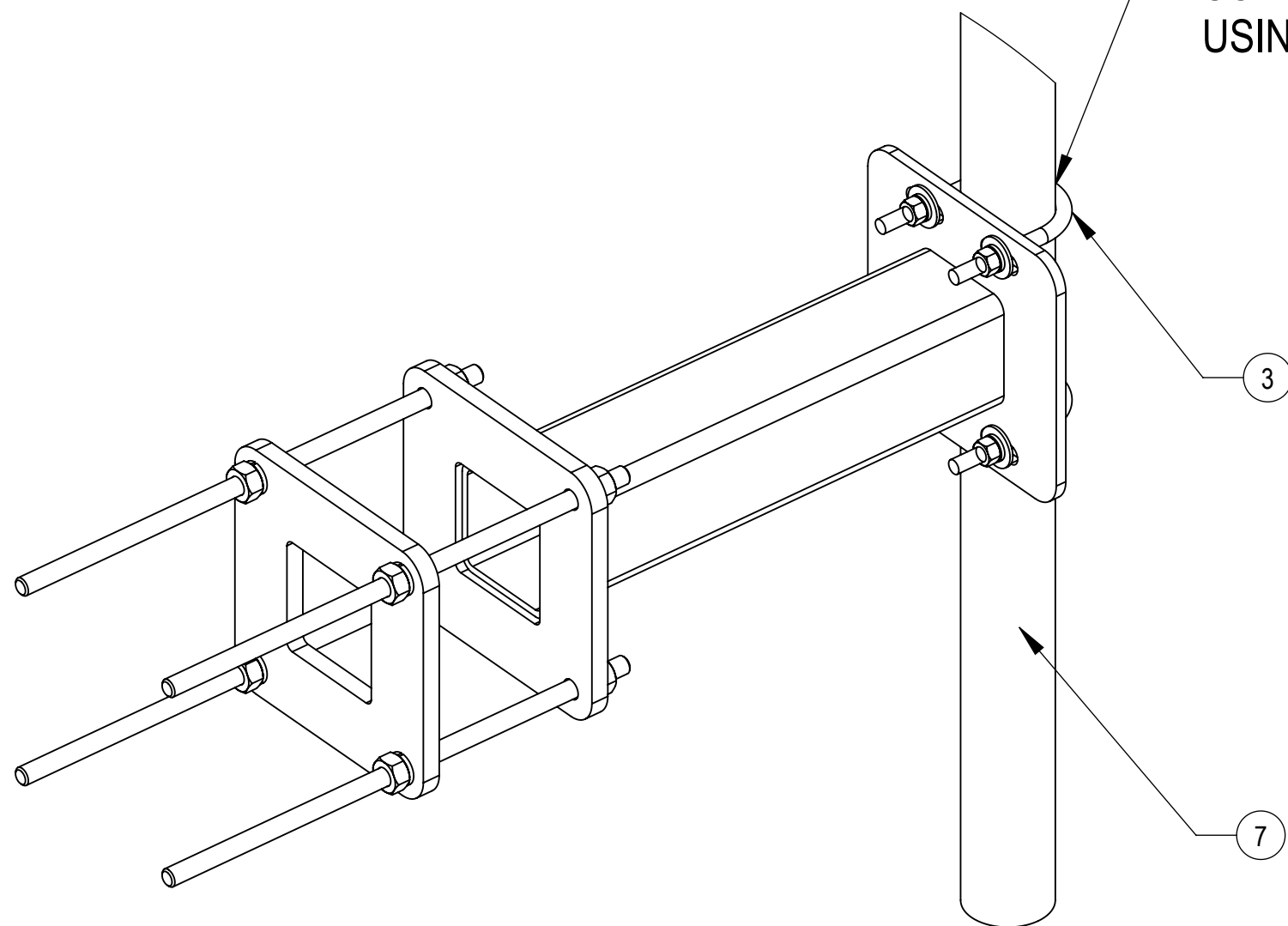
1

NOTES:

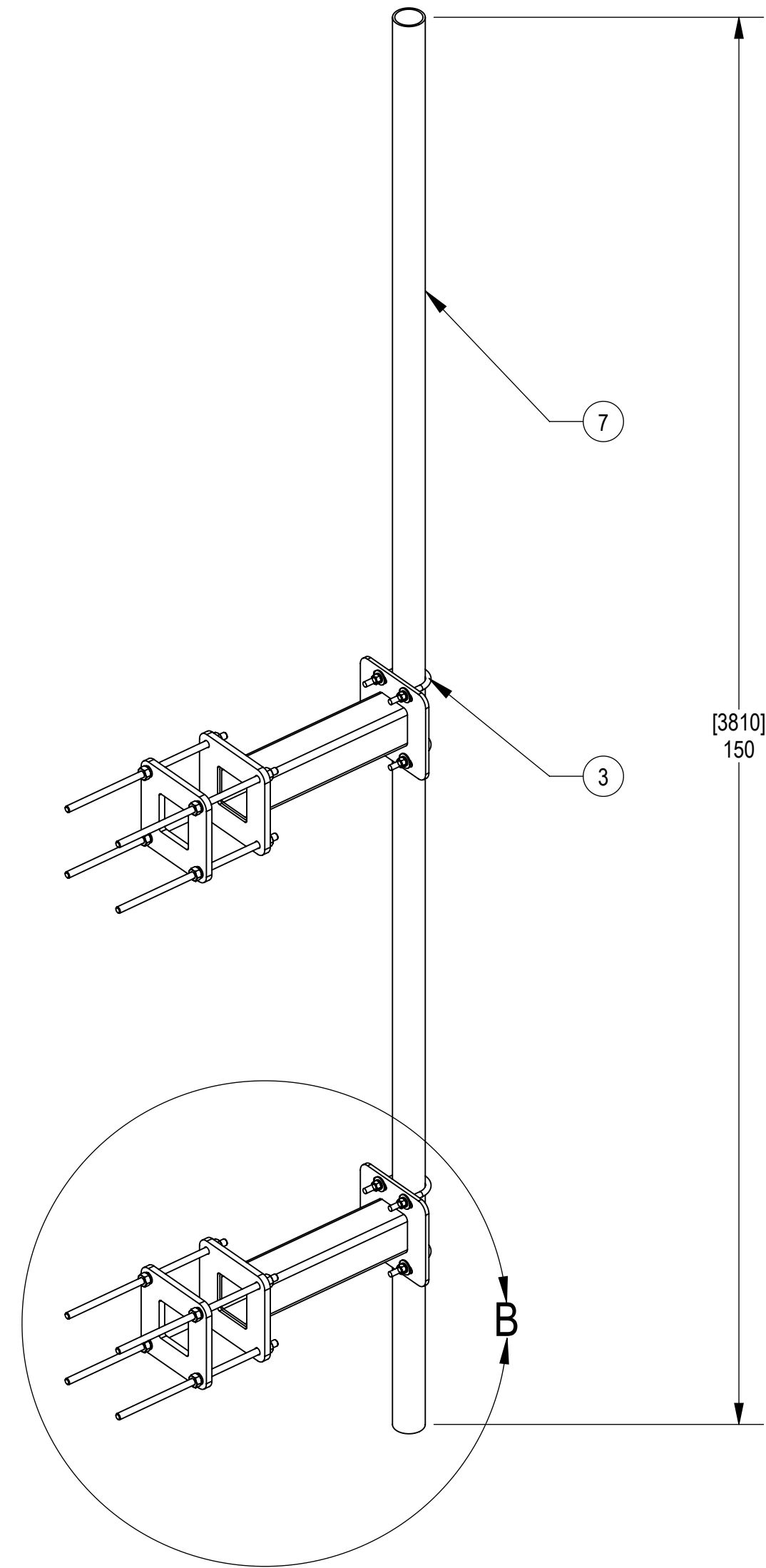
STEP 1: ATTACH BACK PLATES AND SUPPORT ARM STANDOFFS ON THE WALL USING 5/8" THREADED ROD KITS.



STEP 2: ATTACH PIPE TO SUPPORT ARM STANDOFFS USING U-BOLTS(GUB-4350).



DETAIL B
SCALE 1 : 5



COMMSCOPE, INC. OF NORTH CAROLINA				
TITLE WALL MOUNT STAND-OFF KIT 150 PIPE				
SIZE C	SCALE 1:24	DOCUMENT NO. WM-ST1812		
		DRAWING		SHEET
		VERSION	STATUS	REVISION
		00	RE	A
				3 OF 3

4

3

2

1