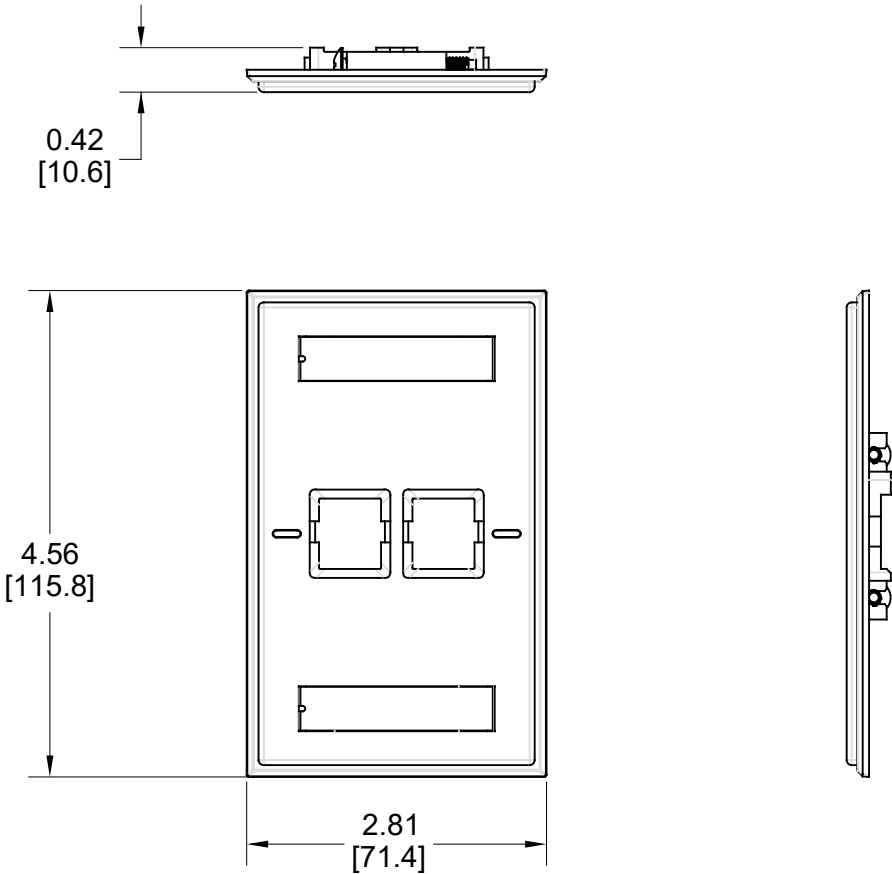


MATERIAL ID	DESCRIPTION
760249137	FP KT 2P LBL 270

NOTES:

- SEE COMMSCOPE CATALOG FOR PART NUMBER SUFFIXES TO INDICATE COLOR/PKG.
- SEE COMMSCOPE CATALOG FOR COMPLETE LIST OF PARTS RELATED TO THE USE OF THIS PRODUCT.
- DIMENSIONS IN PARENTHESSES ARE IN METRIC[MM].
- PART INCLUDES:
  - (1) 2 PORT NAR LBL FP, GRAY
  - (2) SCREW



FP KT 2P LBL 270	
<b>COMMSCOPE, INC</b> OF NORTH CAROLINA	
DRAWN BY JW	
DATE 02/03/2021	DWG NO 760249137

REV	DATE	ECR	DESCRIPTION	APPROVED BY
1	02/03/21		INITIAL ISSUE	FW