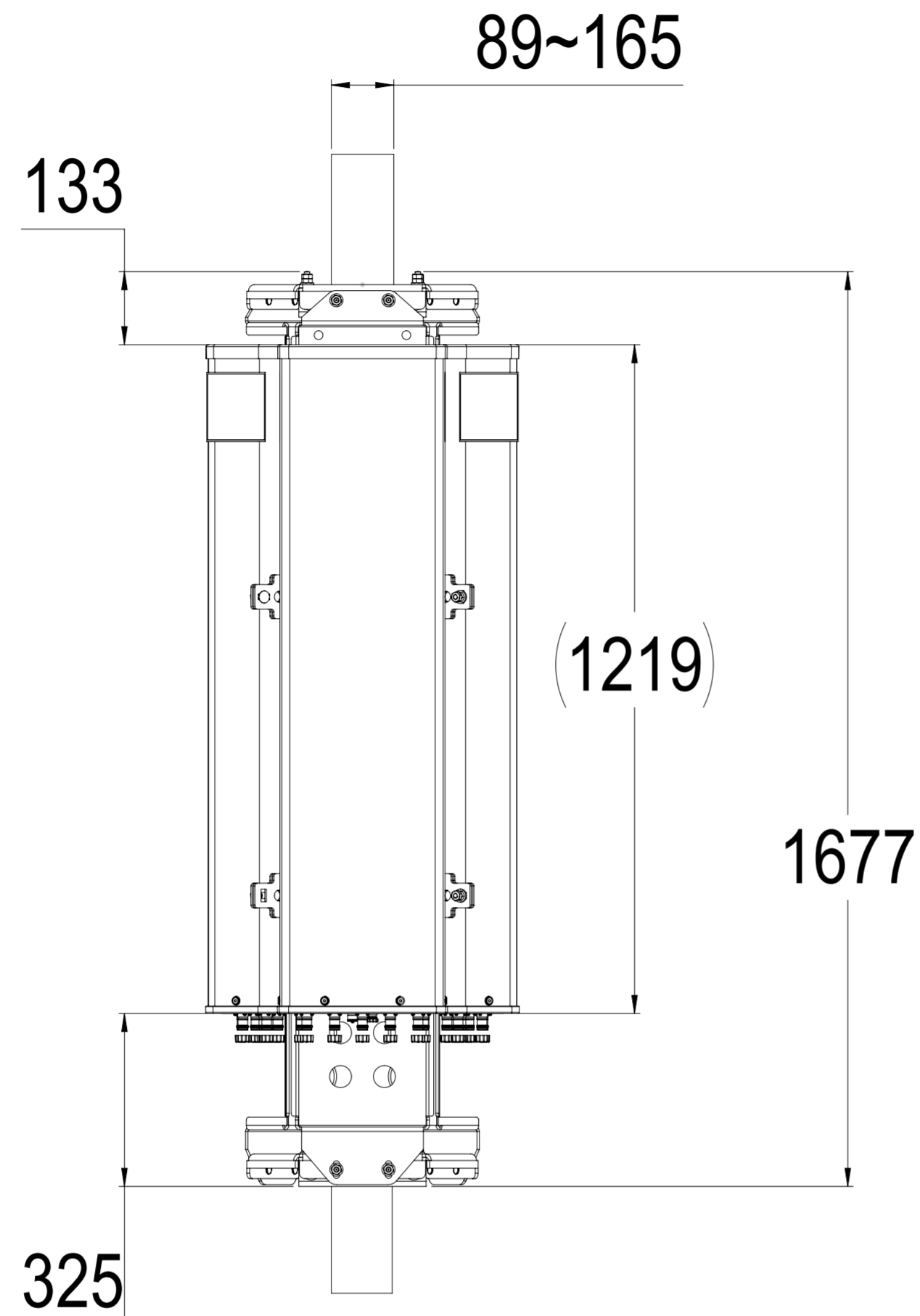
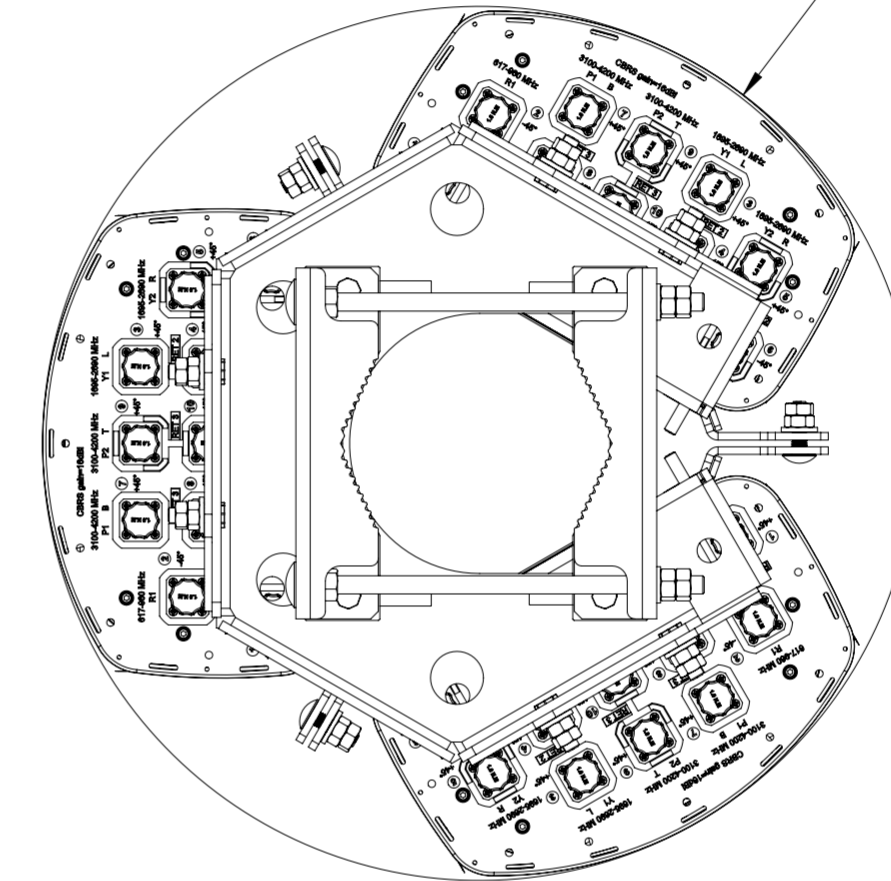


REVISIONS			
REV.	DESCRIPTION	DATE	APPROVED
A	ECR 40151490CMO: REL TO PRODUCTION PER EAO 611062.	05AUG22 GB	CM/UK



KVVSS-65A-3XKIT



Max  $\varnothing$  597  
Nominal  $\varnothing$  578

<b>COMMSCOPE, INC. OF NORTH CAROLINA</b>													
TOLERANCES						SAP MATERIAL MASTER							
0 PLACE .X ±		2 PLACE .XX ±											
1 PLACE .X ±		ANGLES ±											
FINISH						MATERIAL							
<small>UNLESS OTHERWISE SPECIFIED DIMENSIONS ARE IN MILLIMETERS INTERPRET PER ISO STANDARDS HANDBOOK TECHNICAL DRAWINGS VOLUMES 1 &amp; 2, THIRD EDITION (2002)</small>			NAME		DATE		TITLE						
			CE		GBANDEKAR		08/05/2022		<b>TRISEC KIT 3XANT-2LB, 8HB, 65DEG, 3RET</b>				
			RW		GBANDEKAR		08/05/2022						
			AD		CM1117		08/05/2022		SCALE		DOCUMENT NO.		
			RE		RK1070		08/08/2022		1:10		KVVSS-65A-3XKIT-L		
ECN 40151490CMO			SIZE		Auth Group		BSA		MODEL		DRAWING		
HEIGHT		LENGTH		WIDTH		VERSION		STATUS		REVISION		SHEET	
A2		00		RE		A		00		RE		A	
												1 OF 1	