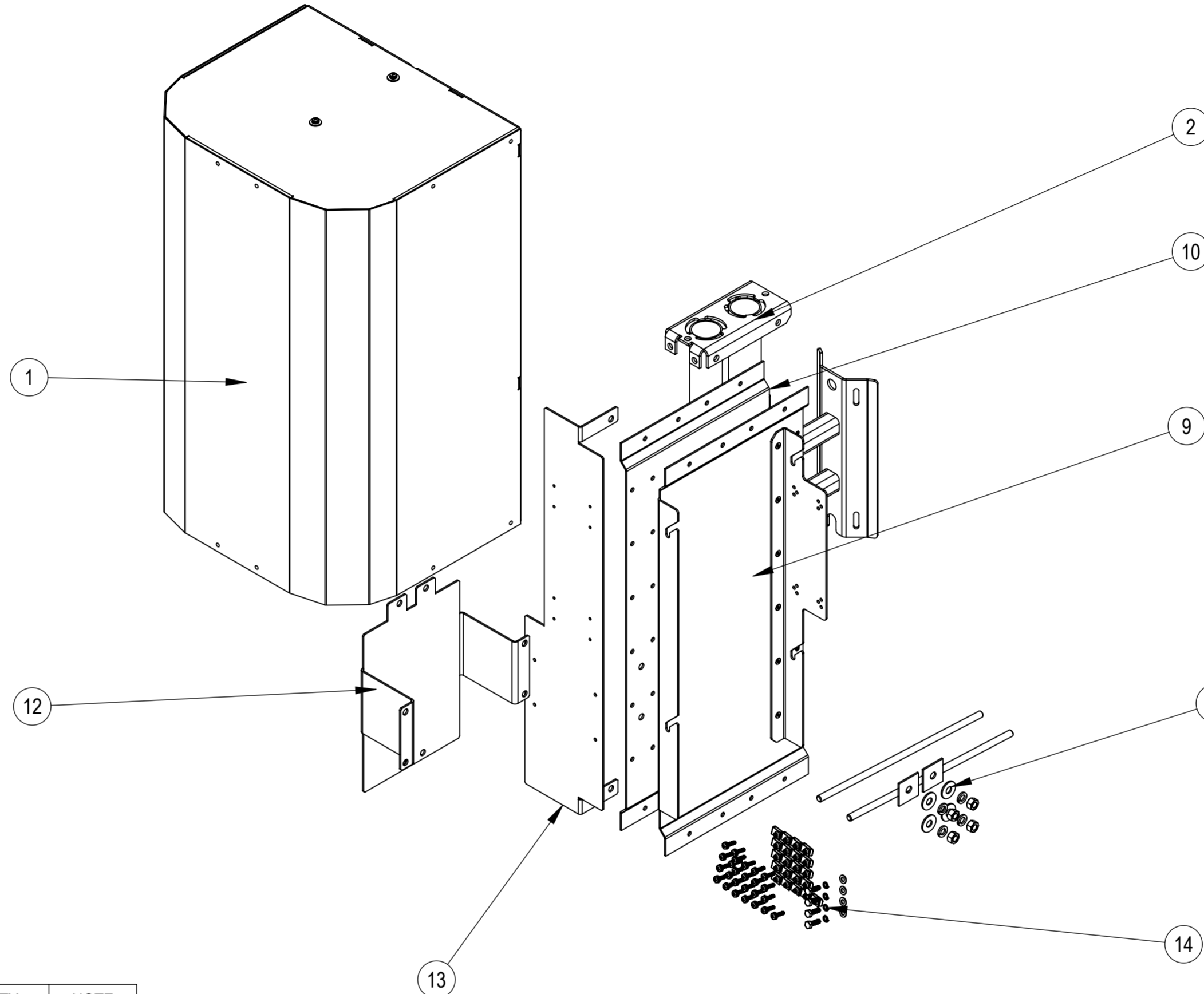


- 1.0 GENERAL NOTES
  - 1.1 ALL IMPERIAL DIMENSIONS ARE IN BRACKETS [X.XX]
  - 1.2 FEATURES CRITICAL TO QUALITY ARE INDICATED IN ROUNDED BOX (X.X)
- 2.0 DESIGN NOTES
- 3.0 MANUFACTURING/SPECIAL REQUIREMENTS
- 4.0 TEST
- 5.0 PACKAGING
  - 5.1 PACKAGING SHALL MEET COMMSCOPE REQUIRMENTS PER DOCUMENT IS-PL-3005
  - 5.2 WRAP THE UNIT IN PROTECTIVE FOAM WRAP BEFORE PACKAGING
  - 5.3 PACKAGE IN POLYBAG AND PLACE INSIDE THE UNIT FOR SHIPPING
  - 5.4 PRINTED DOCUMENT TO BE INCLUDED IN THE SHIPPING BOX

REVISIONS			
REV.	DESCRIPTION	DATE	APPROVED
A	INITIAL RELEASE	ZL1057 01DEC22	ZM1026 40161356CMO

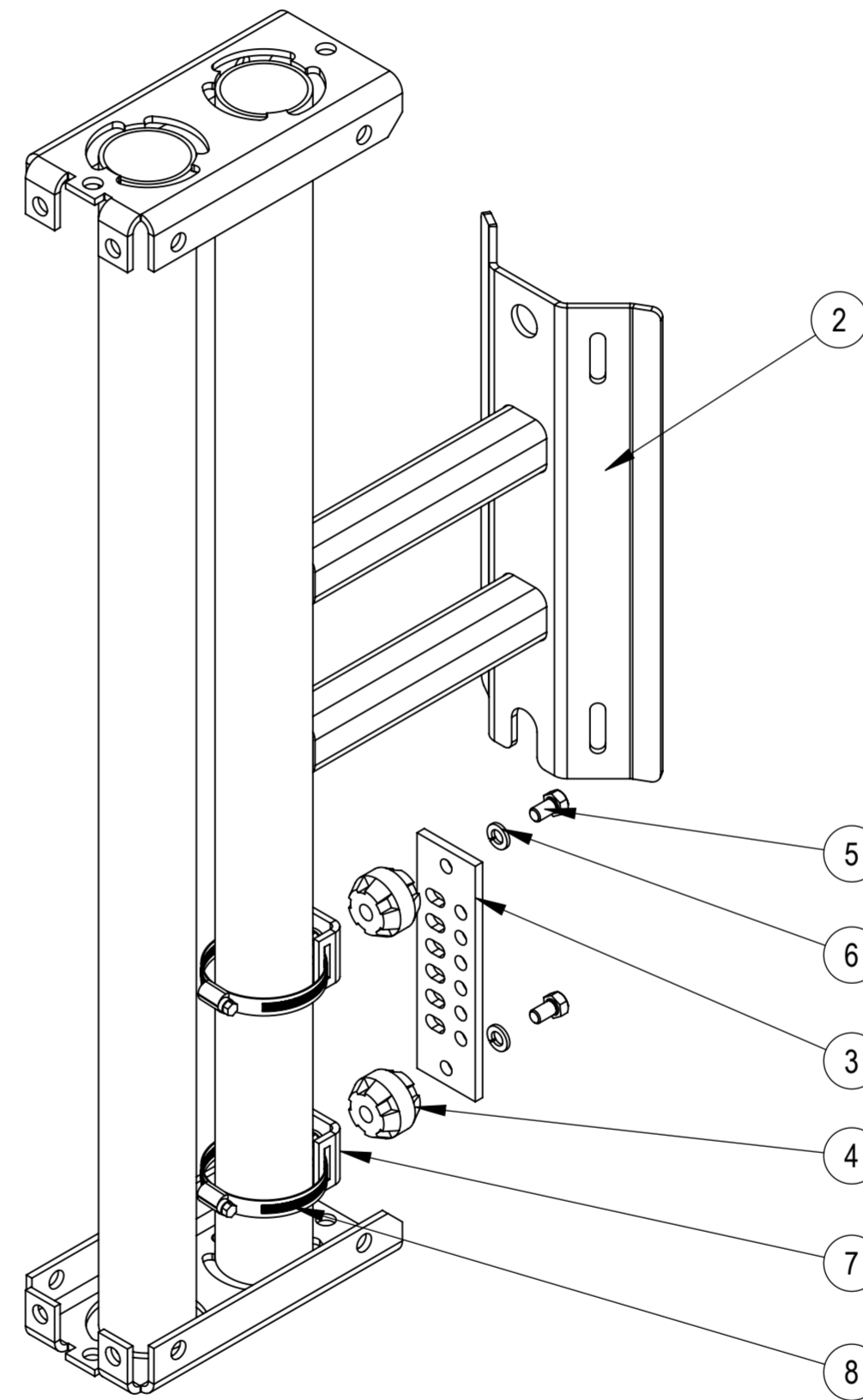
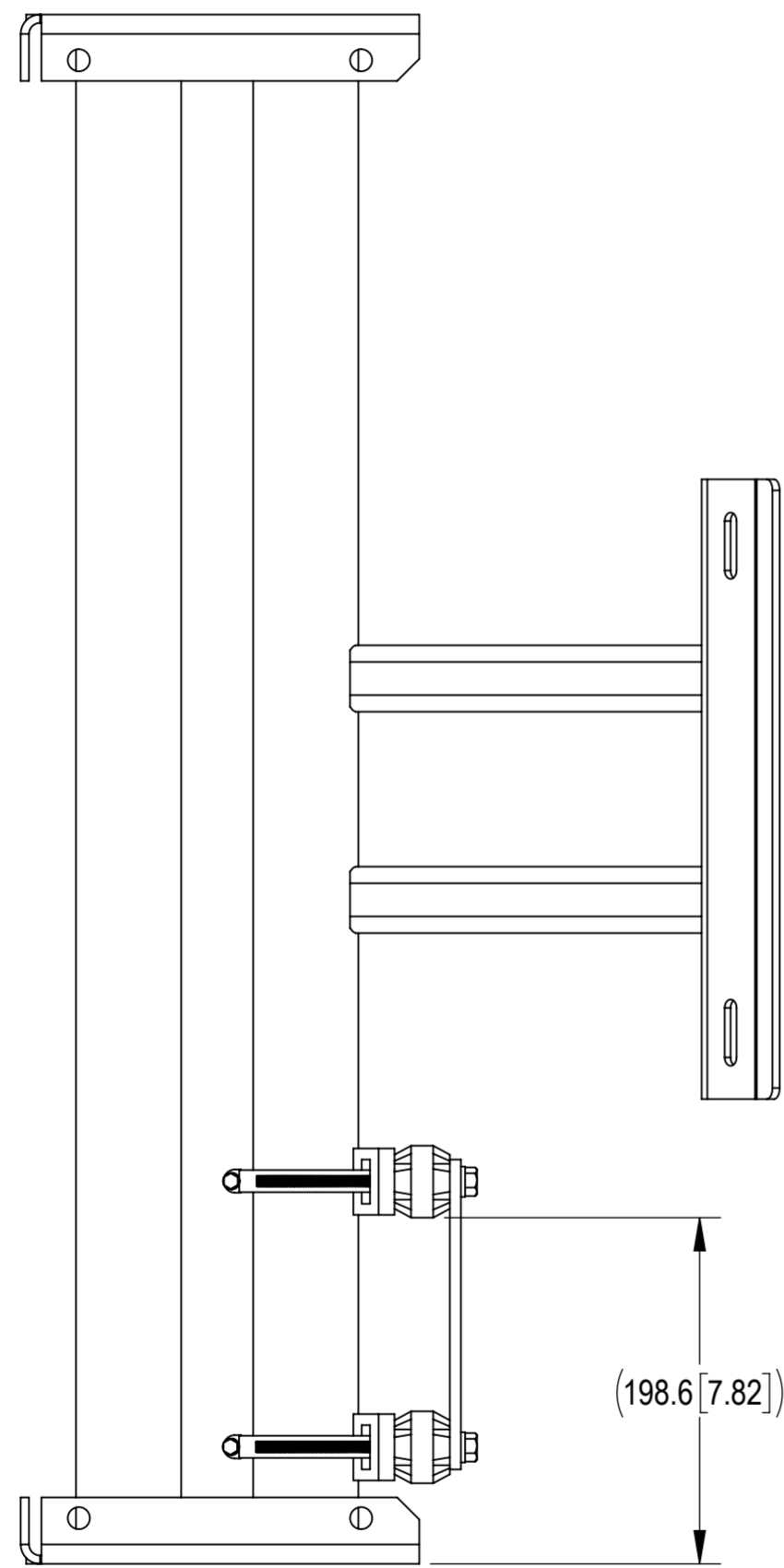


COMPONENT PART NUMBERS PROVIDED FOR ASSEMBLY PURPOSES;  
INDIVIDUAL COMPONENTS MAY BE SHIPPED AS PARTS WITHIN AN INCLUDED KIT.

ITEM NO.	PART NUMBER	DESCRIPTION	QTY.	NOTE
1	MTM1133-2000-XX	WPB SHROUD ASSY	1	
2	MTC38880135	WELDMENT, RRU SMALL CELL, 35"	1	
3	MTC388804	6 POSITION GROUND BAR 2" X 7", COPPER	1	
4	MT520	INSULATOR W/ 3/8" INSERT	2	
5	SB0305	3/8" X 5/8" SS BOLT	4	
6	SWL-03	3/8" SS LOCK WASHER	4	
7	MTC388818	GROUND BAR STRAP BRACKET	2	
8	31670-2S	ROUND MEMBER ADAPTER, 50-75mm, 1EA	2	
9	MTM1152-1000	RADIO MOUNT BRACKET ASSY	1	
10	MTM1152-1100	BASE BRACKET	1	
11	MTM00HK-0031	BACKING PLATE AND HARDWARE KITS	1	5.3
12	MTM1179-1000-CR	APAM MOUNT BRACKET CHRO	1	
13	MTM1179-2000-CR	DIPLEXER AND POD MOUNT BRACKET CHRO	1	
14	MTM1179-3000	WPB NOKIA HARDWARE KIT	1	5.3
8700	760254722-INSTALL	INSTRUCTION, WPB, NOK, DUAL-BND, AZHL, SHROUD	1	5.4
9000	SSC-760254722	WPB, NOK, DUAL-BND, AZHL, SHROUDED	1	5.4

© 2022 CommScope, Inc. Confidential

<b>COMMSCOPE, INC. OF NORTH CAROLINA</b>					
TOLERANCES 0 PLACE X.[X] ± 6[0.25]    2 PLACE .XX[.XXX] ± 1.50[0.06] 1 PLACE .X[.XX] ± 3.0[0.12]    ANGLES ± 2°			SAP MATERIAL MASTER <b>SSC-760254722</b>		
FINISH SEE BOM			MATERIAL		
UNLESS OTHERWISE SPECIFIED DIMENSIONS ARE IN MILLIMETERS INTERPRET PER ANSI Y 14.3M-1994	NAME		DATE		TITLE
	CE	ZL1057	01DEC22		
	RW	ZL1057	12/22/2022		
	AD	ZM1026	12/29/2022		
RE	ZM1026	01/03/2023			
DENSITY		0.0022	g/mm <sup>3</sup>		ECN 40161356CMO
MASS		41865.6140	grams		
VOLUME		19159067.0220	mm <sup>3</sup>		
SURFACE AREA		13030884.7609	mm <sup>2</sup>		
HEIGHT	466.8	[18.38]			
LENGTH	920.8	[36.25]			
WIDTH	616.0	[24.25]			
SIZE <b>A2</b>		Auth Group	INSL	MODEL	DRAWING
		VERSION	STATUS	REVISION	VERSION    STATUS    REVISION
		00	RE	A	00    RE    A
					SHEET 1 OF 2



**GROUNDBAR INSTALLATION**

COMMSCOPE, INC. OF NORTH CAROLINA				
TITLE WPB,NOK,DUAL-BND,AZHL,SHROUDED				
SIZE <b>A2</b>	SCALE <b>1:10</b>	DOCUMENT NO. <b>SSC-760254722</b>		
DRAWING				SHEET
VERSION 00	STATUS RE	REVISION A	2 OF 2	

© 2022 CommScope, Inc. Confidential