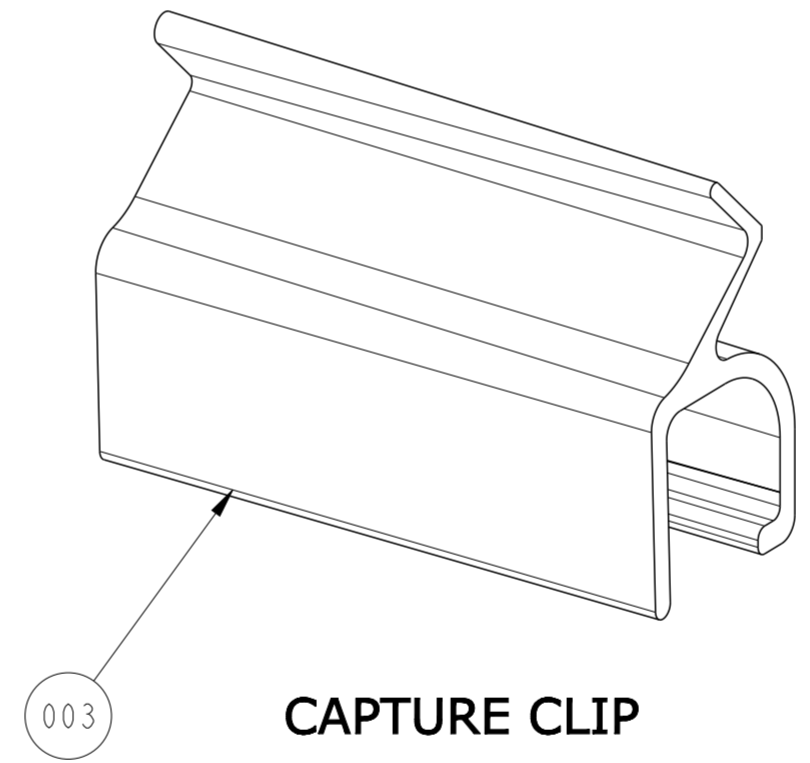
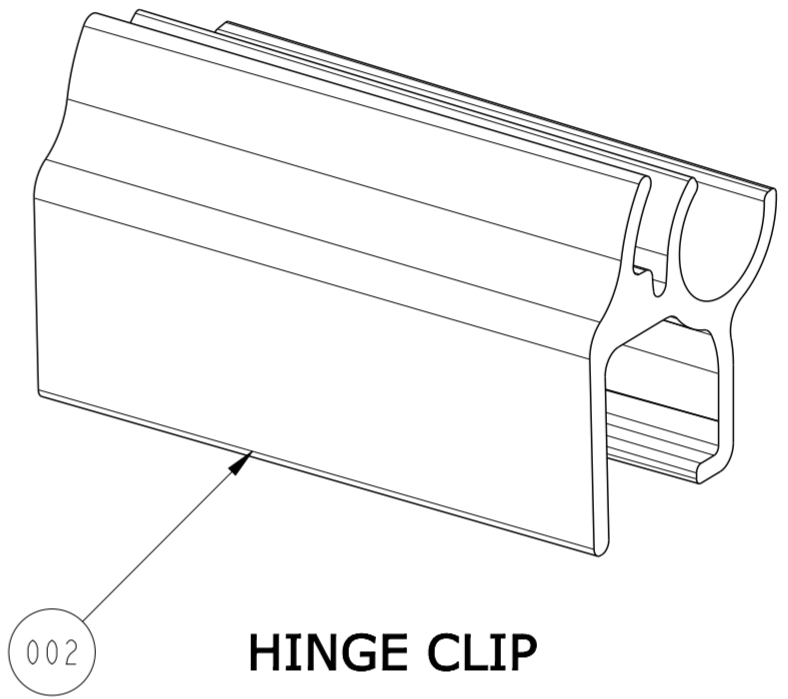
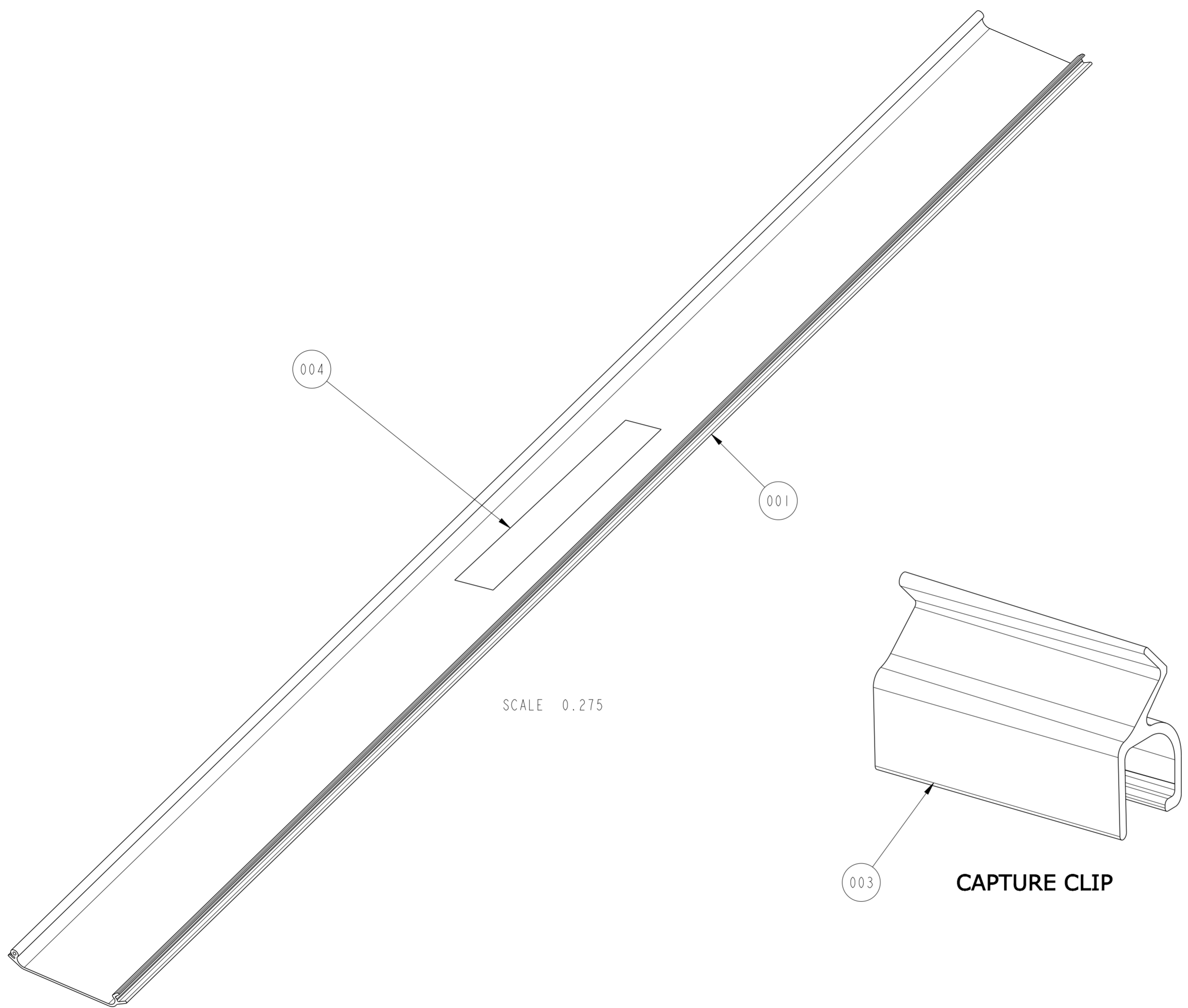


REVISIONS			
REV	DESCRIPTION	DATE	APPROVED
P	8000025254	03-AUG-2017	ERR
R	40114034CMO	29-JUL-2020	RAT



FGSB-MSNC-F	1	5	BLACK	12"	D
FGS-MSNC-A			YELLOW	4"	H
FGS-MSNC-B/G			YELLOW	6"	H
FGSB-MSNC-B/G			BLACK	6"	F
FGS-MSNC-F		5	YELLOW	12"	F
FGSB-MSNC-A			BLACK	4"	E
PRODUCT NUMBER			COLOR	COVER SIZE	REF
REV					

NOTES:

- ATTACH LABEL F/N 004 TO F/N 001 APPROX AS SHOWN.
- PLACE (3) OR (6) HINGE CLIPS (F/N 002), (3) CAPTURE CLIPS (F/N 003), AND INSTALLATION DRAWING F/N 999 IN BAG F/N 800 AND SEAL.
- SECURE SEALED BAG F/N 800 TO COVER F/N 001.
- ATTACH LABEL F/N 005 TO BAG F/N 800.
- ATTACH LABEL F/N 005 TO BAG F/N 802.
- PLACE THE KIT PREVIOUSLY MADE INTO BOX F/N 801.
- USE F/N's 802 AND 803 ACCORDINGLY TO PROTECT THE PRODUCT.

SCALE 0.275

COMMSCOPE, INC.									
TOLERANCES					SAP MATERIAL MASTER				
SEE TABLE									
FINISH					MATERIAL				
N/A					SEE BOM				
UNLESS OTHERWISE SPECIFIED DIMENSIONS ARE IN INCHES	DRAFTER		TITLE						
	C. SJODIN		KIT, FGS HINGED COVER, ASSEMBLY DRAWING						
	CHECKER		SIZE		SCALE		DOCUMENT NO.		
	DAN HERZOG		A 2		0.375		1306863_ADC		
ENGINEER		CMO							
DAN HERZOG		40114034CMO							
ALL SURFACES		WORK AREA: 58		MODEL		DRAWING		SHEET	
✓		[Symbol]		VERSION		STATUS		REVISION	
				02		02		RE R	
								1 OF 1	

© 2020 CommScope, Inc. Confidential
 NOTICE: These drawings and specifications are the proprietary property of COMMSCOPE, INC. and may be used only for the specific purpose authorized in writing by COMMSCOPE, INC.