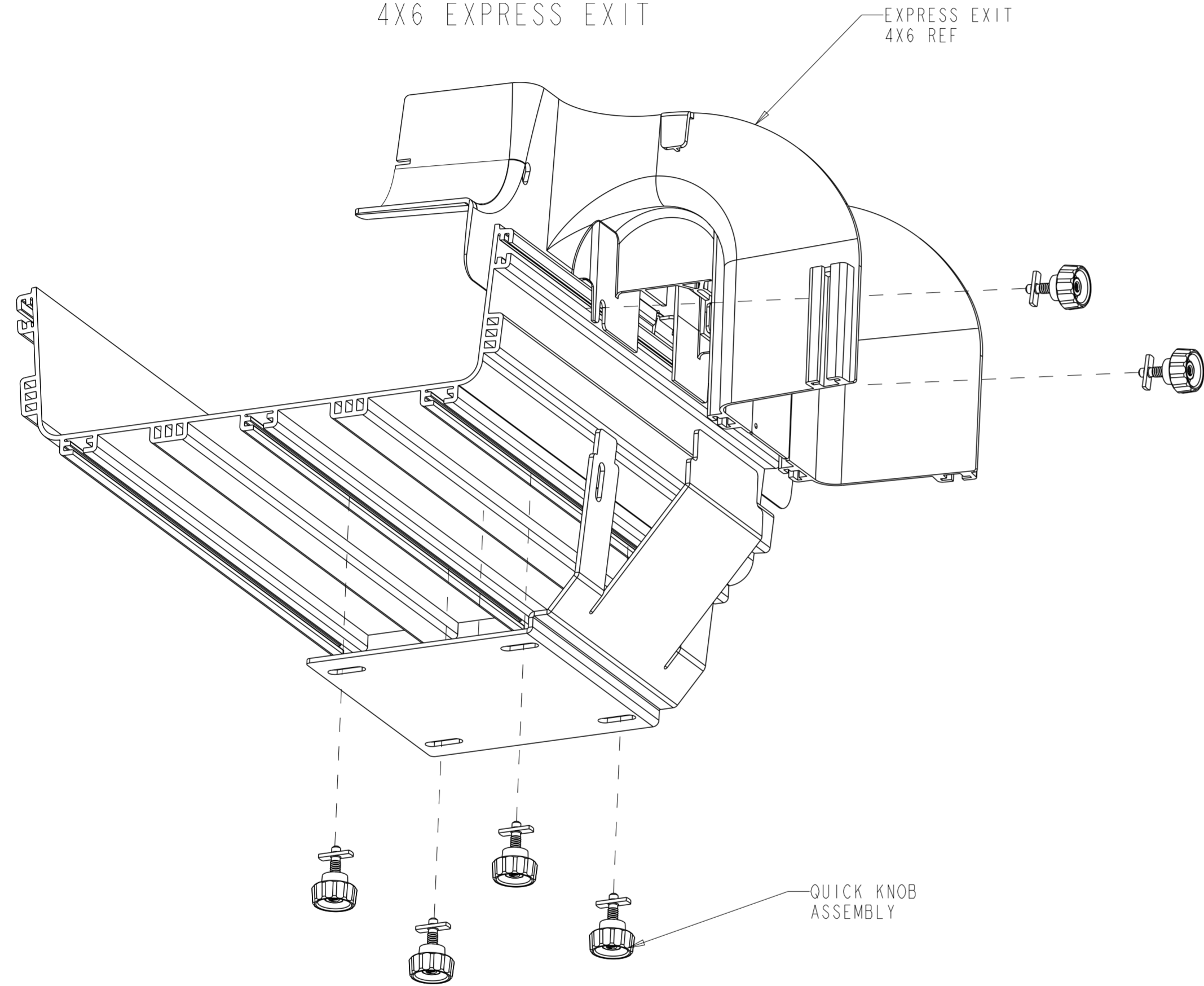


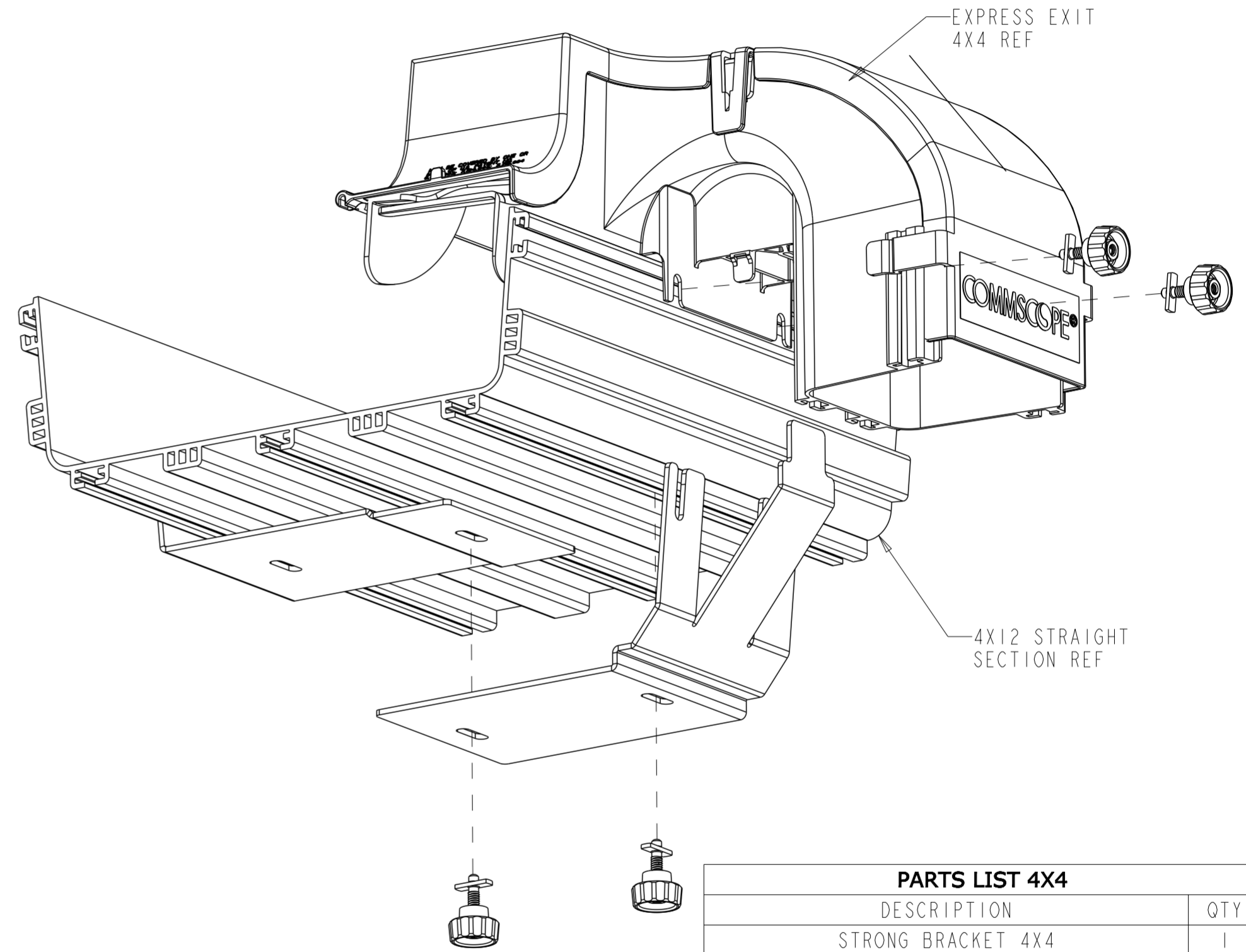
| REVISIONS | | | |
|-----------|-------------|-------------|----------|
| REV | CMO | DATE | APPROVED |
| A | 40073669CMO | 19-SEP-18 | VFV |
| B | 40175008CMO | 26-SEP-2023 | GVR |

FGS-HDSB-B
STRONG BRACKET
INSTALLATION
4X6 EXPRESS EXIT



| PARTS LIST 4X6 | |
|---------------------|-----|
| DESCRIPTION | QTY |
| STRONG BRACKET 4X4 | 1 |
| QUICK KNOB ASSEMBLY | 6 |

FGS-HDSB-A
STRONG BRACKET
INSTALLATION
4X4 EXPRESS EXIT



| PARTS LIST 4X4 | |
|---------------------|-----|
| DESCRIPTION | QTY |
| STRONG BRACKET 4X4 | 1 |
| QUICK KNOB ASSEMBLY | 4 |

FGS-HDSB-A
FGS-HDSB-B
CATALOG NUMBER

INSTALLATION INSTRUCTIONS:

1. PLACE THE BRACKET UNDER THE STRAIGHT SECTION AND USE QUICK KNOB TO HOLD IT IN BOTTOM OF THE STRAIGHT SECTION.
2. INSTALL THE EXPRESS EXIT (NOT INCLUDED) IN THE BRACKET AND USE THE QUICK KNOBS TO HOLD IT.

| COMMSCOPE, INC. | | | | | | | | | | |
|---|---------------|-----------------|-------------|--|---------------------|--|---------|--|--|--------------|
| TOLERANCES | | | | | SAP MATERIAL MASTER | | | | | |
| N/A | | | | | | | | | | |
| FINISH | | | | | MATERIAL | | | | | |
| N/A | | | | | N/A | | | | | |
| SYMBOLS AGREE WITH ASME Y14.5M - 2009. ALL SHEETS ARE THE SAME REVISION AND STATUS. | DRAFTER | | | TITLE | | | | | | |
| | VICTOR FLORES | | | STRONGER BRACKET, KIT, DWNSPT EXP EXIT | | | | | | |
| | CHECKER | | | SIZE | | | SCALE | | | DOCUMENT NO. |
| | HECTOR URENO | | | A2 | | | 0.125 | | | 660002746 |
| ENGINEER | | | CMO | | | | | | | |
| RUBEN ARVILLA | | | 40175008CMO | | | | | | | |
| ALL SURFACES | | WORK AREA: ISPF | | MODEL | | | DRAWING | | | SHEET |
| ✓ | | [Symbol] | | VERSION | | | STATUS | | | REVISION |
| | | | | 01 | | | RE | | | B |
| | | | | | | | | | | 1 OF 1 |

© 2023 CommScope, Inc. Confidential
NOTICE: These drawings and specifications are the proprietary property of COMMSCOPE, INC. and may be used only for the specific purpose authorized in writing by COMMSCOPE, INC.