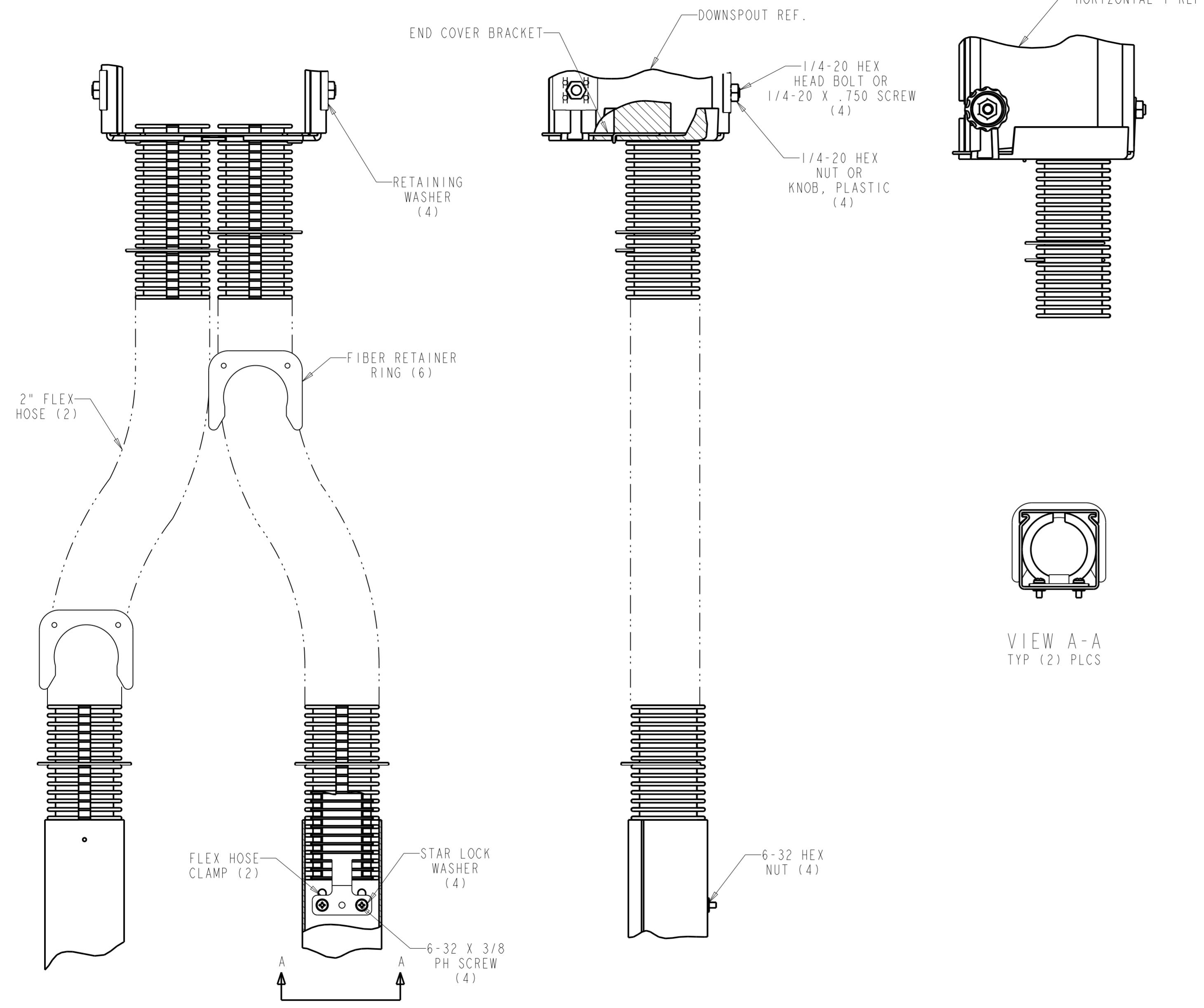
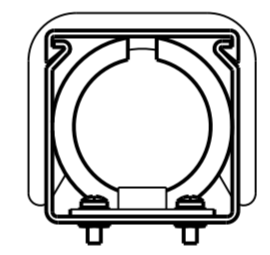


REVISIONS			
REV	DESCRIPTION	DATE	APPROVED
J	20273560	26-JAN-10	RCR
	40198529CMO	21-JUN-2024	MAM



PART LIST	
DESCRIPTION	QTY
4" END COVER	1
RETAINING WASHERS	4
1/4-20 X .750 SCREW	4
1/4-20 HEX NUTS	4
FIBER RETAINER RINGS	6
FLEX HOSE CLAMPS	2
6-32 X 3/8 PH SCREWS	4
STAR LOCK WASHERS	4
6-32 HEX NUTS	4
KNOB PLASTIC	4
1/4-20 HEX HEAD BOLTS	4
TOP BRKT, 2 HOSE	1
(SEE TAB) FLEX HOSES	2
END COVER BRACKET	1

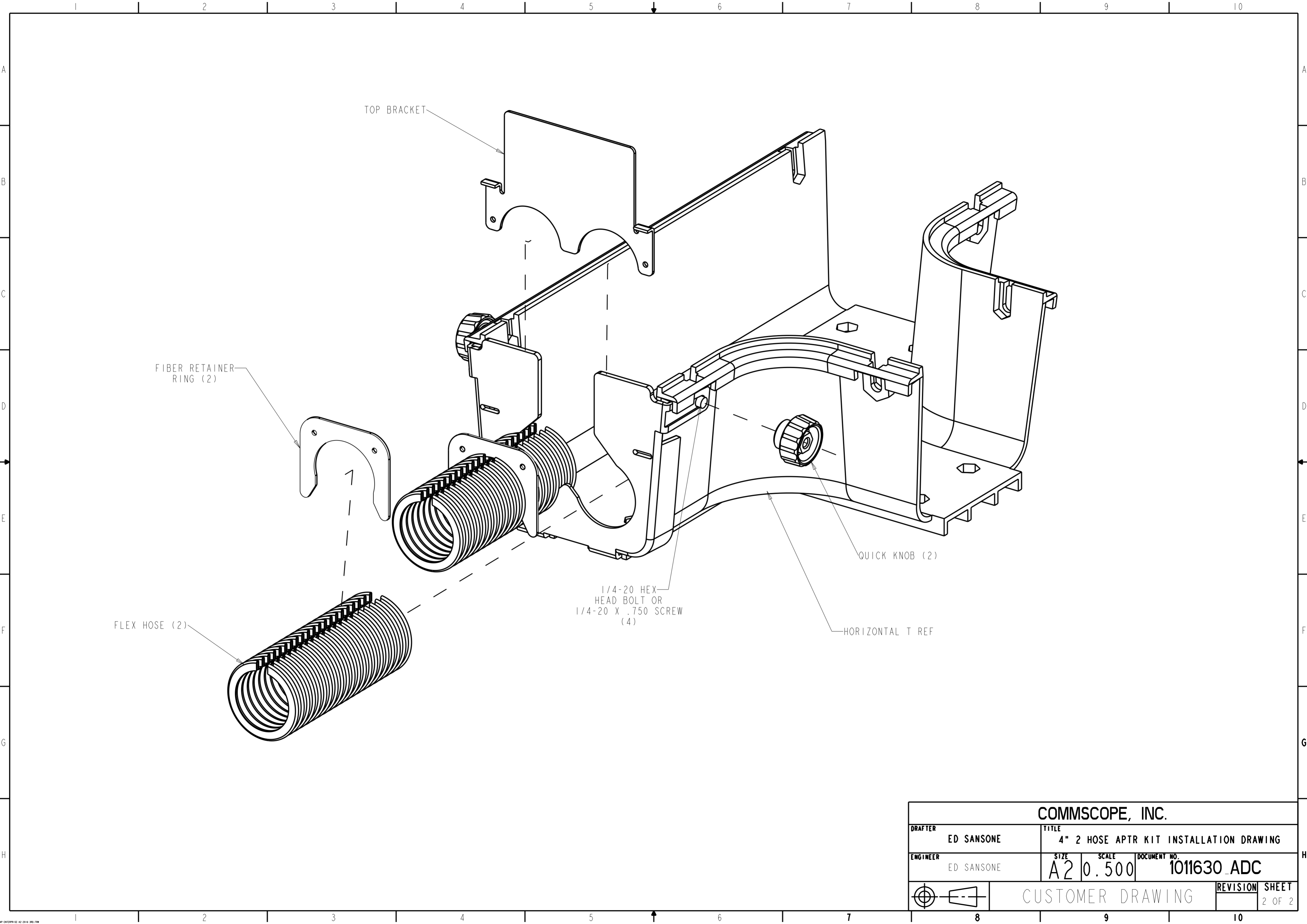


VIEW A-A
TYP (2) PLCS

CATALOG NO.	HOSE LENGTH	COLOR
FGSB-KT03-A10F	10 FT	BLACK
FGSB-KT03-A	5 FT	BLACK
FGS-KT03-ANH	NONE	YELLOW
FGS-KT03-A10F	10 FT	YELLOW
FGS-KT03-A15F	15 FT	YELLOW
FGSB-KT03-A15F	15 FT	BLACK
FGS-KT03-A	5 FT	YELLOW

1. KIT MAY BE USED ON STRAIGHT SECTIONS OR FITTINGS.

COMMSCOPE, INC.			
DRAFTER ED SANSONE		TITLE 4" 2 HOSE APTR KIT INSTALLATION DRAWING	
ENGINEER ED SANSONE		SIZE A2	SCALE 0.500
		DOCUMENT NO. 1011630_ADC	
CUSTOMER DRAWING			REVISION SHEET 1 OF 2



COMMSCOPE, INC.			
DRAFTER ED SANSONE		TITLE 4" 2 HOSE APTR KIT INSTALLATION DRAWING	
ENGINEER ED SANSONE		SIZE A2	SCALE 0.500
		DOCUMENT NO. 1011630_ADC	
CUSTOMER DRAWING		REVISION	SHEET 2 OF 2