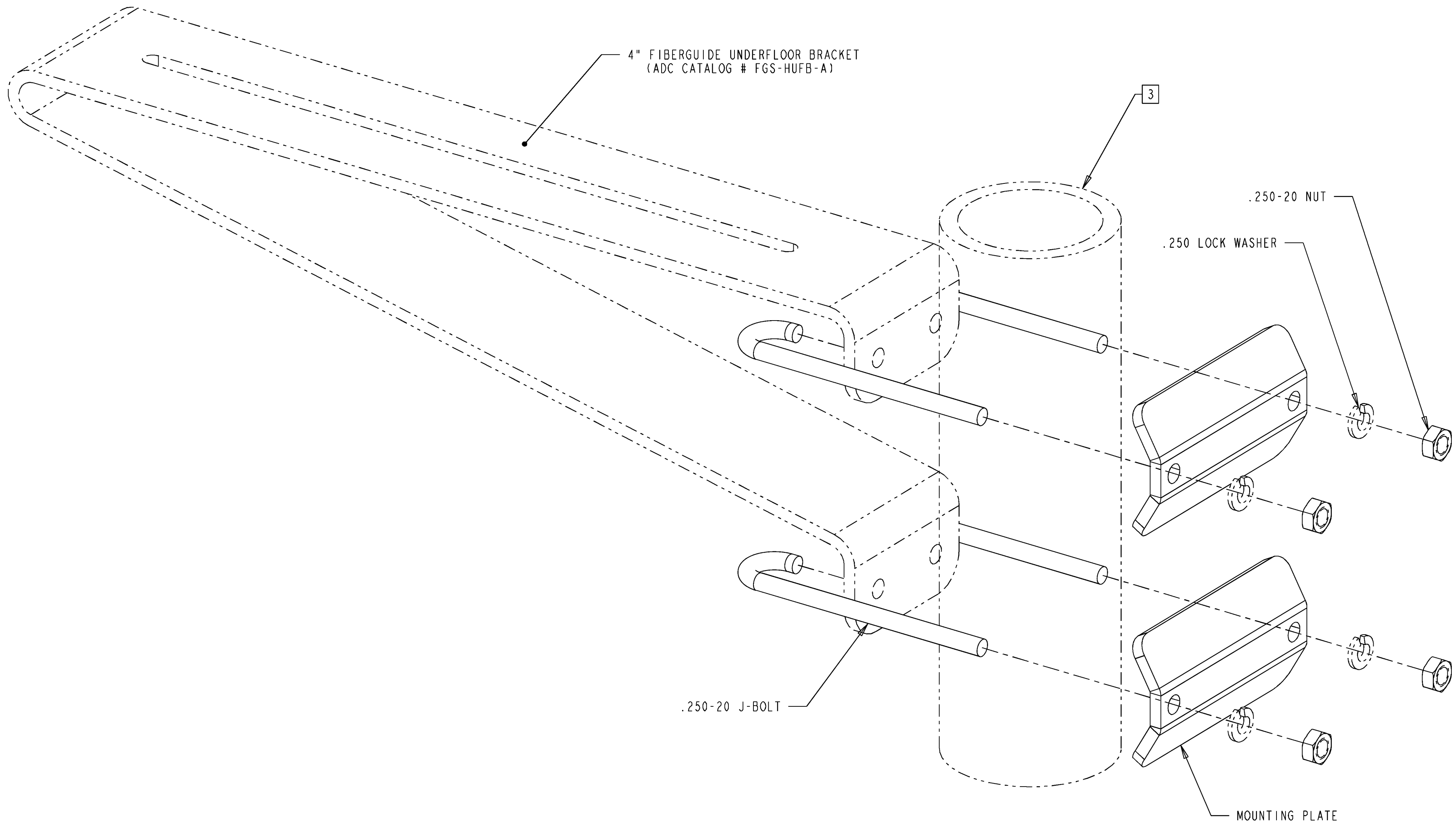


REV	ECO	DWN	DATE
A	20033553	VJL	6-AUG-99
-	-----	---	-----



NOTES:

1. FIBERGUIDE BRACKET MOUNTING KIT INCLUDES:

- (4) .250-20 J-BOLTS
- (2) MOUNTING PLATES

2. KIT DOES NOT INCLUDE MOUNTING HARDWARE.
MOUNTING HARDWARE NEEDED FOR INSTALLATION:

- (4) .250-20 NUTS
- (4) .250 LOCK WASHERS

3 THIS KIT IS DESIGNED TO CLAMP ON A 1.25" TO 2.50" PIPE.

CATALOG # FGS-HUFB-ACC



INFORMATION ON THIS DOCUMENT IS PROPRIETARY TO ADC AND SHALL NOT BE USED, COPIED, REPRODUCED OR DISCLOSED IN WHOLE OR IN PART WITHOUT WRITTEN CONSENT OF ADC.

TITLE
FIBERGUIDE BRACKET MOUNTING KIT

TOLERANCE UNLESS OTHERWISE SPECIFIED .XX: ±.02
.XXX: ±.010
ANGULAR: ±2°

C SIZE DRAWING NUMBER
A REV 1069533

TELECOMMUNICATIONS

DO NOT SCALE DRAWING

ENGR: JUSTIN HORTON
DWN: VERN LOCH

SHT. 1 OF 1