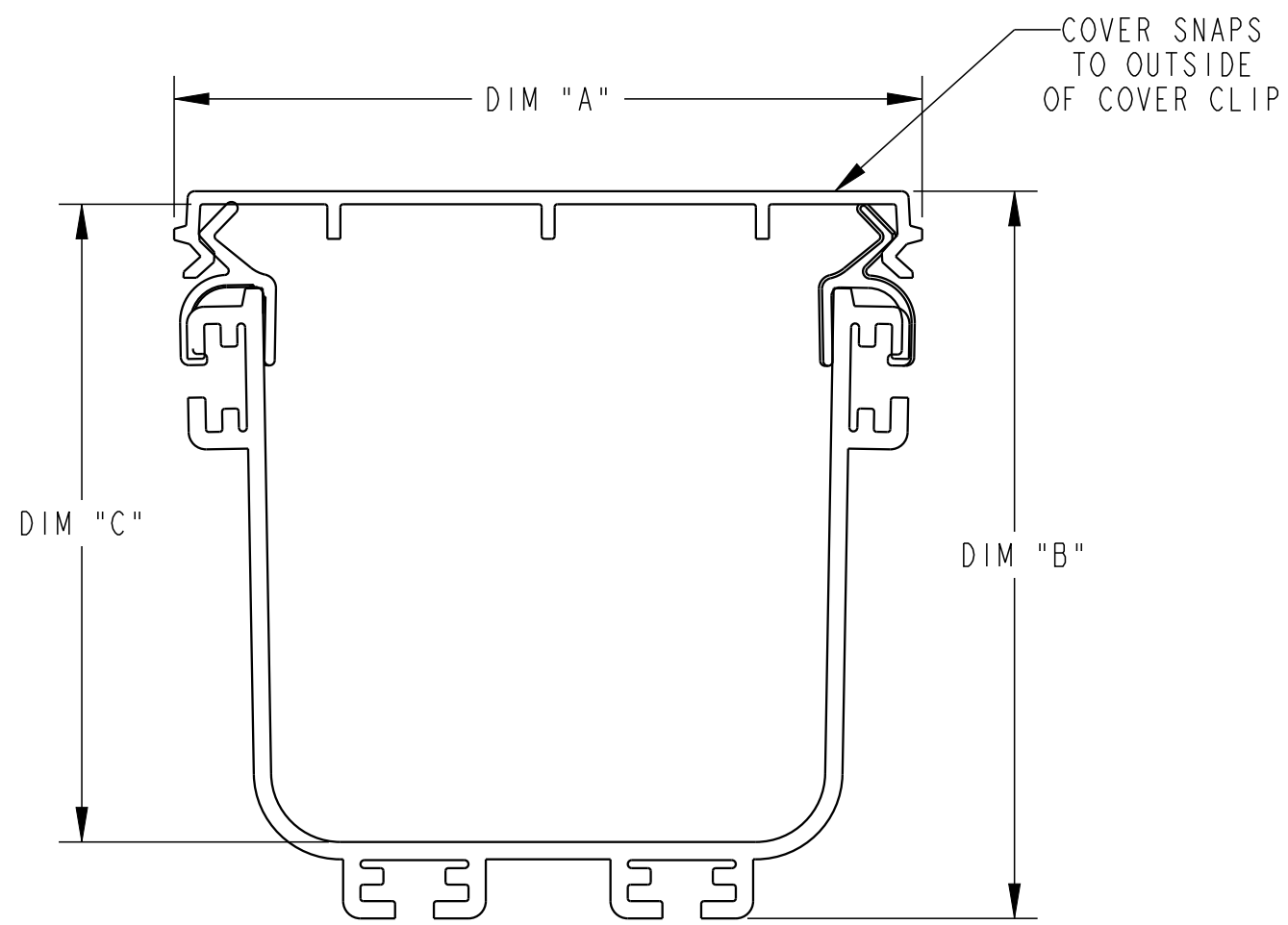
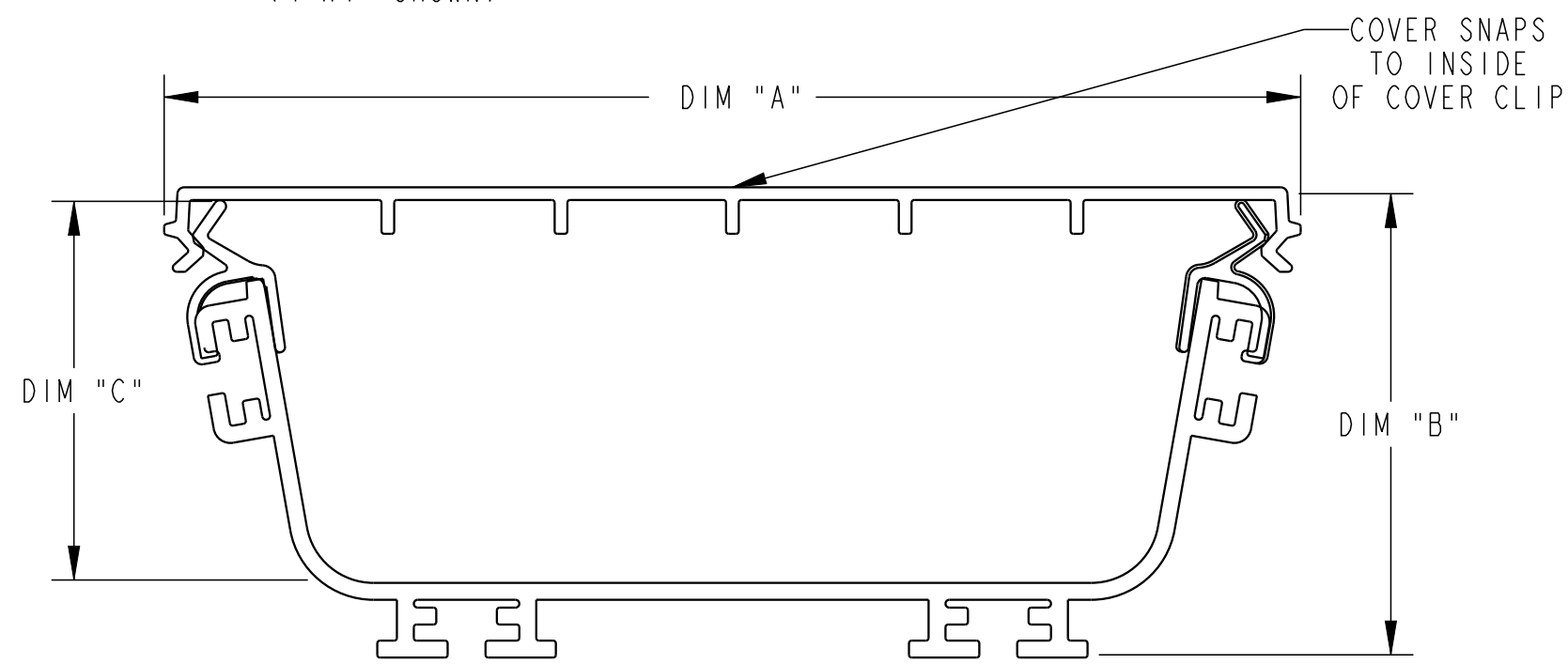


REV	MCO	DWN	DATE
G	40031755MCO	OAVL	24-JUN-16
H	8000023479	VFV	29-MAY-17



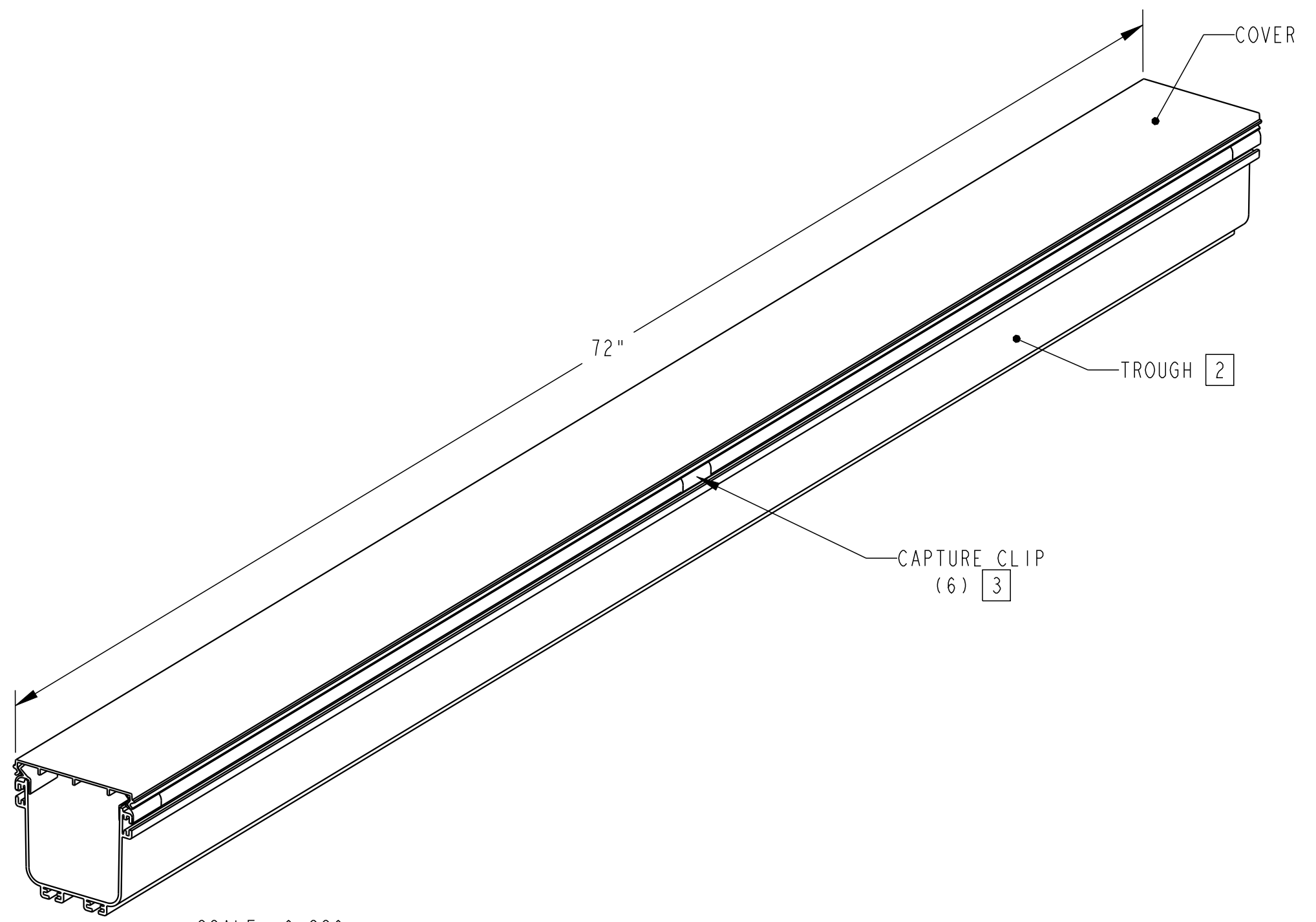
**FIGURE 1**

4"x4" AND 4"x6" COVER INSTALLATION  
(4"x4" SHOWN)



**FIGURE 2**

2"x6" COVER INSTALLATION



SCALE 0.220

PRODUCT NUMBER	COLOR	TROUGH SIZE	SEE FIGURE	DIM "A"	DIM "B"	DIM "C"	DIM "D"
FGS-MSSC-B/G10	YELLOW	2" X 6"	2	7.4"	3.4"	2.8"	120"
FGS-MSSC-B/G	YELLOW	2" X 6"	2	7.4"	3.4"	2.8"	72"
		4" X 6"	1	7.4"	5.2"	4.6"	72"
FGSB-MSSC-B/G	BLACK	2" X 6"	2	7.4"	3.4"	2.8"	72"
		4" X 6"	1	7.4"	5.2"	4.6"	72"
FGSB-MSSC-A	BLACK	4" X 4"	1	5.4"	5.2"	4.6"	72"
FGS-MSSC-A	YELLOW	4" X 4"	1	5.4"	5.2"	4.6"	72"

**NOTES:**

1. KIT CONTAINS: (1) 72" SNAP-FIT COVER  
(6) CAPTURE CLIPS.

2 TROUGH NOT CONTAINED IN KIT

3 PLACE CLIP APPROXIMATELY AS SHOWN.

COMMSCOPE, INC.

© 2016 COMMSCOPE, INC. CONFIDENTIAL NOTICE: THESE DRAWINGS AND SPECIFICATIONS ARE THE PROPRIETARY PROPERTY OF COMMSCOPE, INC. AND MAY BE USED ONLY FOR THE SPECIFIC PURPOSE AUTHORIZED IN WRITING BY COMMSCOPE, INC.		TITLE INSTALLATION DRAWING COVER, TROUGH, SNAP-FIT	
ALL DIMS AND TOLERANCES .XX:±N/A ARE INCHES UNLESS .XXX:±N/A OTHERWISE SPECIFIED ANGULAR:±N/A	C SIZE	DRAWING NUMBER 1331485_ADC	H REV
DO NOT SCALE DRAWING	ENGR: C. ARROYO DWN: J. GABRIEL NERI	SHT. 1 OF 1	

DIMENSIONS IN INCHES  
THIRD ANGLE PROJECTION